



User Manual

Nuclias Connect AX3000 Outdoor Access Point

Table of Contents

Nuclias Connect	4	Performance	24
Introduction	4	Wireless Resource	26
Nuclias Connect Key Features.....	5	Multi-SSID.....	28
Package Contents.....	6	VLAN.....	30
System Requirements.....	6	VLAN List.....	30
Hardware Overview.....	7	Port List.....	31
Rear.....	7	Add/Edit VLAN	32
LEDs.....	8	PVID Settings.....	33
Connections	8	Intrusion.....	34
Basic Installation	9	Schedule	35
Hardware Setup	9	Internal RADIUS Server.....	36
Configure the access point.....	9	ARP Spoofing Prevention	37
Setup Wizard.....	10	Bandwidth Optimization	38
Web User Interface	11	Captive Portal.....	40
Wireless	12	Authentication Settings-Web Redirection Only	40
Access Point Mode	12	Authentication Settings- Username/Password..	42
WDS with AP Mode	14	Authentication Settings- Passcode	44
WDS Mode	16	Authentication Settings- Remote RADIUS.....	47
Wireless Security	18	Authentication Settings- LDAP.....	49
Wired Equivalent Privacy (WEP)	18	Authentication Settings- POP3.....	51
Wi-Fi Protected Access (WPA / WPA2 / WPA3)	19	Login Page Upload.....	53
LAN	21	MAC Bypass.....	54
IPv6	22	DHCP Server	55
Advanced Settings.....	23	Dynamic Pool Settings.....	55
		Static Pool Setting	56
		Current IP Mapping List.....	58

Filters.....	59	Nuclias Connect Settings.....	79
Wireless MAC ACL.....	59	Firmware and SSL Upload.....	80
WLAN Partition	60	Configuration File Upload	81
IP Filter Settings.....	61	Time and Date Settings	82
Traffic Control.....	62	Configuration and System.....	83
Uplink/Downlink Setting	62	System Settings.....	84
QoS.....	63	Help	85
Traffic Manager.....	64	Technical Specifications	86
Status	65	Antenna Pattern	87
Device Information	66	Regulatory Statements	88
Client Information	67	Power Usage.....	91
WDS Information Page	68		
Channel Analyze	69		
Statistics.....	70		
Ethernet Traffic Statistics.....	70		
WLAN Traffic Statistics.....	71		
Log	72		
View Log.....	72		
Log Settings.....	73		
Maintenance Section	75		
Administration.....	76		
Limit Administrator	76		
System Name Settings	77		
Login Settings	77		
Console Settings	77		
Ping Control Setting	78		
LED Settings.....	78		
DDP Setting	78		
Country Setting	78		

Nuclias Connect Introduction

Nuclias Connect is D-Link's centralized management solution for Small-to-Medium-Sized Business (SMB) networks. Nuclias Connect makes it easier to analyze, automate, configure, optimize, scale, and secure your network — delivering the convenience of an Enterprise-wide management solution, at an SMB price. Nuclias Connect gives you the financial and technical flexibility to expand from a small network to a larger one of up to 1,000 Access Points (APs), while retaining a robust and centralized management system. With its intuitive Graphical User Interface (GUI), a wealth of enhanced AP features, and a setup wizard that supports 11 languages, Nuclias Connect minimizes the hassle of deployment, configuration, and administration tasks.

Deployable on a Windows server (or Linux via Docker), PC, or Smartphone (via lite management app) the Nuclias Connect free-to-download software is capable of managing up to 1,000 APs without licensing charges, coupled with an inexpensive optional hardware controller (DNH-100 Nuclias Connect Hub) suitable for remote locations. Through software-based monitoring and remote management of all wireless Access Points (APs) on your network, Nuclias Connect offers tremendous flexibility compared to traditional hardware-based unified management systems. Configuration can be done remotely. Network traffic analytics are available at a glance (in whole or in part). Load Balancing, Airtime Fairness, and Localized Throttling are enabled.

Nuclias Connect supports multi-tenancy, so network administrators can grant localized management authority for local networks. In addition, because APs can support 8 SSIDs per radio (16 SSIDs per dual band APs), administrators have the option of using one SSID to create a guest network for visitors.

Nuclias Connect provides direct AP discovery and provisioning when it shares the same Layer-2/Layer-3 network with a given AP, allowing users to find APs and import profiles with minimum effort, which can be applied as needed to groups or individual APs for even more effective configuration.

Since Nuclias Connect's software operates transparently on the network, an AP can be deployed anywhere in an NAT environment. Admins can provide and manage a variety of distributed deployments, including settings and admin account configuration for each deployment.

Nuclias Connect allows for multiple user authentications while enabling specific access control configurations for each SSID, giving admins the option of configuring separate internal networks for different subnets, while enabling more advanced Value-Added Services, such as Captive Portal or Wi-Fi Hotspot.

Nuclias Connect Key Features

- Free-to-Download Management Software
- Searchable Event Log and Change Log
- License-Free Access Points
- Traffic Reporting & Analytics
- Authentication via Customizable Captive Portal, 802.1x and RADIUS Server, POP3, LDAP
- Remote Config. & Batch Config.
- Multilingual Support
- Intuitive Interface
- Multi-Tenant & Role-Based Administration
- Payment Gateway (PayPal) Integration and Front-Desk Ticket Management

For more information on how to use Nuclias Connect with the DAP-X3060OU, please refer to the Nuclias Connect User Guide.

Package Contents

- DAP-X3060OU Access Point
- Mounting Plate and Hardware
- Grounding Wire
- Quick Start Guide
- Mounting kit (Wall/Pole Mount)
 - Stainless steel mount base x 1
 - Stainless tie back straps x 2
 - Wall screw x 4
 - Wall plug x4
 - Stainless mount screw (hexagonal hole) x1
 - M3 Screw x1
 - M25x1.5 Cable Gland x2
 - M25 Slotted Cap x2

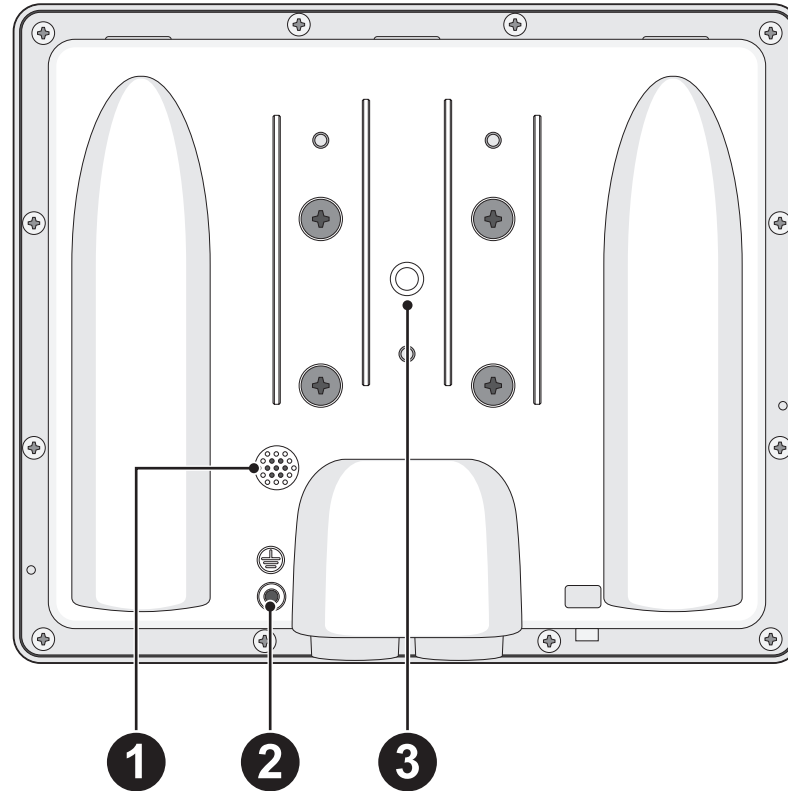
Note: To power the unit, use an 802.3at PoE Switch or PoE Injector.

System Requirements

- Computers with Windows®, Macintosh®, or Linux-based operating systems with an installed Ethernet Adapter
- Internet Explorer 11, Safari 7, Firefox 28, or Google Chrome 33 and above (for configuration)

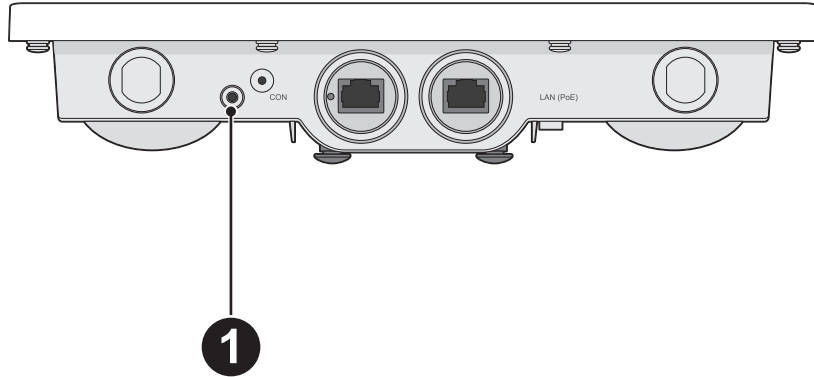
Hardware Overview

Rear



No.	Item	Description
1	Breathable Pores	Ventilation for heat and humidity dissipation.
2	Grounding Point	Attach a ground wire to the conductor to connect the access point to a grounding electrode.
3	Wall/Pole Mount	Location used to mount on a wall or a pole location.

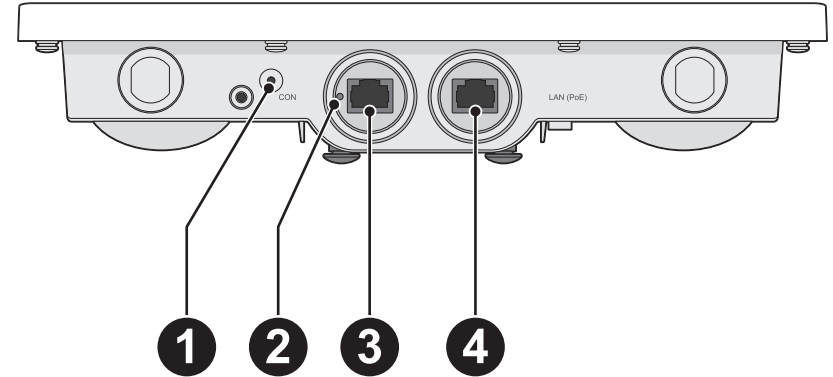
LEDs



No.	Item	LED Color	Description
1	Power/ Status LED	Red (Solid)	Indicates that the DAP-X3060OU has malfunctioned.
		Red (Flashing)	Indicates the DAP-X3060OU is booting up or malfunctioning.
		Green (Solid)	Indicates that the DAP-X3060OU is working properly.

Note: The LED will solid Red for 20 seconds and then start flashing when booting up.

Connections



No.	Item	Description
1	Mounting Lock	Connector for the mount screw.
2	Reset Button	Press and hold for 10 seconds to factory reset the device.
3	Console	Connect to a switch or router via an Ethernet cable.
4	LAN (PoE) Port	Connect to a Power over Ethernet (PoE) switch or router via an Ethernet cable.

Note: Shielded Ethernet cables are highly recommended in all networking environments.

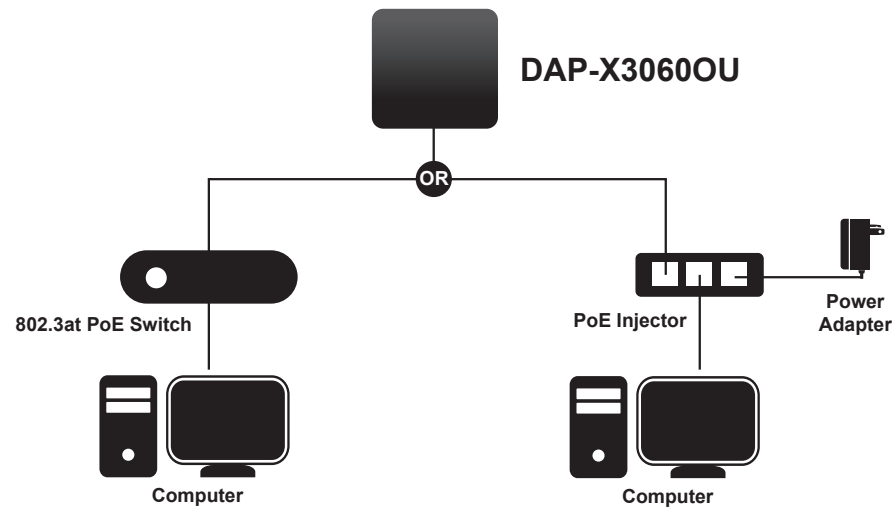
Basic Installation

Hardware Setup

To power on the DAP-X3060OU, you can use ONE of the following methods:

1. Plug one end of your Ethernet cable into the LAN(PoE) port of the DAP-X3060OU, and the other end into a port on a 802.3at PoE switch.
2. Purchase a DPE-301GI PoE injector separately if you need to connect the access point without a 802.3at PoE Switch.

Configure the access point



To set up and manage the DAP-X3060OU, use one of the following methods:

1. Connect the access point and your computer to the same PoE switch. Manage the access point from the computer.
Enter **dapx3060OU.local** in the address field of your browser.
Log in to the Administration Web pages. The default login information is:
Username: **admin**
Password: **admin**
2. Connect the access point and your computer via DPE-301GI PoE injector. Manage the access point from the computer.
Enter **dapx3060OU.local** in the address field of your browser.
Log in to the Administration Web pages. The default login information is:
Username: **admin**
Password: **admin**

Setup Wizard

The first login instance displays the System Settings window which requires a change in password. Additional settings include the System Time and System Country functions.

After logging in to the user interface, fill in the New Password and Confirm New Password fields.

In the System Time function, select **Using Network Time Protocol (NTP)** or **Manually** to define the system time. If required, click the Daylight Saving Offset drop-down menu and select the value (minutes).

- Setting NTP System Time: Before trying to configure NTP check, perform a ping test with the NTP server. In the NTP Server field, enter the NTP server to use. Then click the Time Zone drop-down menu and select the appropriate time zone.
- Setting System Time Manually: From the System Date drop-down menu, select the Year, Month, and Day along with the Hour and Minutes appropriate for the AP.
- Enable Daylight Saving: Click the radio button to enable the daylight savings time (DST) function. Set the DST start (24 hours) and end (24 hours) time by clicking on the drop-down menus and setting the Month, Week, Day, Hour, and Minute of the DST starting days.

Once the settings are configured, click **Update** button to accept the configuration and proceed to the main interface menu page.

D-Link DAP-X3060OU

Provide System Settings ...

These settings apply to this access point.

New Password

Confirm New Password

System Time Using Network Time Protocol(NTP)
 Manually

System Date 2024 Jul 5

System Time(24 HR) 15 : 32

Enable Daylight Saving

DST Start(24 HR) 1st Sun in Jan at 0 0

DST End(24 HR) 1st Sun in Jan at 0 0

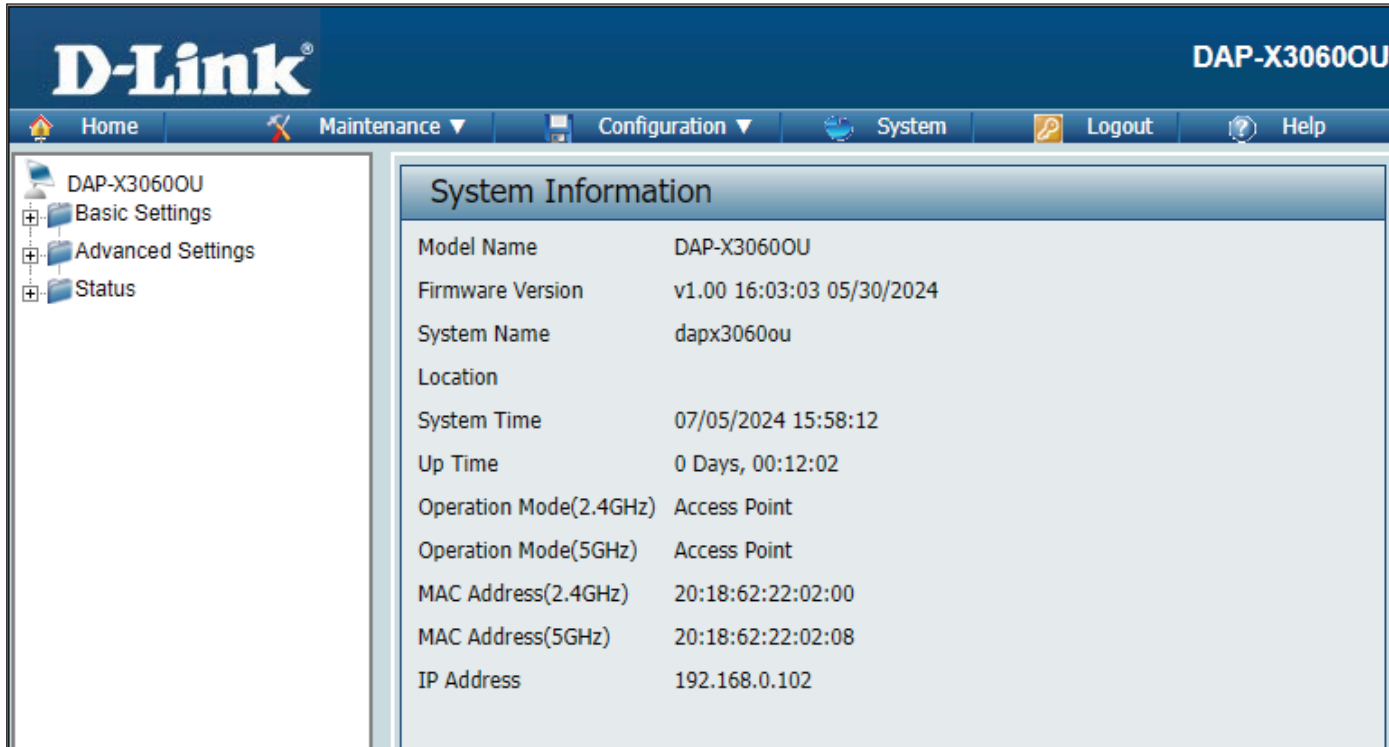
Daylight Offset(minutes) 15

System Country --- System Country ---

Update

Web User Interface

The DAP-X3060OU supports an elaborate web user interface where the user can configure and monitor the device. Launch a web browser, type **dapx3060OU.local** in the address field and then press Enter to login. Most of the configurable settings are located in the left menu of the web GUI which contains sections called **Basic Settings**, **Advanced Settings** and **Status**.



The screenshot displays the web user interface for the D-Link DAP-X3060OU. The interface features a blue header with the D-Link logo and the device name 'DAP-X3060OU'. Below the header is a navigation bar with tabs for Home, Maintenance, Configuration, System, Logout, and Help. On the left side, there is a sidebar menu with expandable sections: DAP-X3060OU, Basic Settings, Advanced Settings, and Status. The main content area shows the 'System Information' page, which lists various system parameters:

System Information	
Model Name	DAP-X3060OU
Firmware Version	v1.00 16:03:03 05/30/2024
System Name	dapx3060ou
Location	
System Time	07/05/2024 15:58:12
Up Time	0 Days, 00:12:02
Operation Mode(2.4GHz)	Access Point
Operation Mode(5GHz)	Access Point
MAC Address(2.4GHz)	20:18:62:22:02:00
MAC Address(5GHz)	20:18:62:22:02:08
IP Address	192.168.0.102

Wireless

On the wireless settings page, you can set up the basic wireless configuration for the access point. The user can choose from 4 different wireless modes:

Access Point - Used to create a wireless LAN

WDS with AP - Used to connect multiple wireless networks while still functioning as a wireless access point

WDS - Used to connect multiple wireless networks

Access Point Mode

Wireless Band: Select either **2.4 GHz** or **5 GHz** from the drop-down menu.

Note: 2.4 GHz and 5 GHz bands should be configured individually with the following settings, each of which can have a different SSID, channel, authentication, etc.

Mode: Select **Access Point** from the drop-down menu.

Network Name (SSID): Service Set Identifier (SSID) is the name designated for a specific wireless local area network (WLAN). The SSID's factory default setting is **dlink**. The SSID can be easily changed to connect to an existing wireless network or to establish a new wireless network. The SSID can be up to 32 characters and is case-sensitive.

SSID Visibility: Select **Enable** to broadcast the SSID across the network, thus making it visible to all network users. Select **Disable** to hide the SSID from the network.

Auto Channel Selection: This feature when enabled automatically selects the channel that provides the best wireless performance. The channel selection process only occurs when the AP is booting up. To manually select a channel, set this option to **Disable** and select a channel from the drop-down menu.

The screenshot displays the D-Link DAP-X3060OU configuration interface. The 'Wireless Settings' section is active, showing the following configurations:

- Wireless Band: 2.4 GHz
- Mode: Access Point
- Network Name (SSID): dlink
- SSID Visibility: Enable
- Auto Channel Selection: Enable
- Channel: 11
- Channel Width: 20 MHz
- Authentication: Open System

The 'Key Settings' section is also visible, with the following options:

- Encryption: Disable, Enable
- Key Type: HEX
- Key Size: 64 Bits
- Key Index(1~4): 1
- Network Key: [Empty field]
- Confirm Key: [Empty field]

A 'Save' button is located at the bottom right of the settings area.

Channel: To change the channel, first toggle the *Auto Channel Selection* setting to **Disable**, and then use the drop-down menu to make the desired selection.

Note: *The wireless adapters will automatically scan and match the wireless settings.*

Channel Width: Allows you to select the channel width you would like to operate in 2.4GHz and 5GHz. Use the drop-down menu to choose **20 MHz** or **Auto 20/40 MHz** or **Auto 20/40/80 MHz**.

Authentication: Use the drop-down menu to choose **Open System, Enhanced Open, Enhanced Open + Open, WPA-Personal, WPA-Enterprise,** or **802.1x**.

- Select **Open System, Enhanced Open, Enhanced Open or Open**, to communicate the key across the network (WEP).
- Select **WPA-Personal** to secure your network using a password and dynamic key changes. No RADIUS server is required.
- Select **WPA-Enterprise** to secure your network with the inclusion of a RADIUS server.
- Select **802.1X** if your network is using port-based Network Access Control.

Note: *1. The default Open System authentication allows wireless connection without requiring user authentication. It is highly recommended that you encrypt your network using one of the security methods other than the default setting.*

2. Two SSIDs will be occupied when using Enhanced Open + Open

WDS with AP Mode

Wireless Band: Select either **2.4GHz** or **5GHz** from the drop-down menu.

Mode: WDS with AP mode is selected from the drop-down menu.

Network Name (SSID): Service Set Identifier (SSID) is the name designated for a specific wireless local area network (WLAN). The SSID's factory default setting is **dlink**. The SSID can be easily changed to connect to an existing wireless network or to establish a new wireless network.

Auto Channel Selection: Enabling this feature automatically selects the channel that will provide the best wireless performance. This feature is not supported in WDS with AP mode. The channel selection process only occurs when the AP is booting up.

Channel: All devices on the network must share the same channel. To change the channel, use the drop-down menu to make the desired selection. (Note: The wireless adapters will automatically scan and match the wireless settings.)

Note: *The wireless adapters will automatically scan and match the wireless settings.*

Channel Width: Allows you to select the channel width you would like to operate in 2.4GHz and 5GHz. Use the drop-down menu to choose 20 MHz or Auto 20/40 MHz or Auto 20/40/80 MHz.

The screenshot shows the D-Link configuration interface for the DAP-X3060OU device. The 'Wireless Settings' section is active, displaying the following configuration:

- Wireless Band: 2.4 GHz
- Mode: WDS with AP
- Network Name (SSID): dlink
- Auto Channel Selection: Enable
- Channel: 11
- Channel Width: 20 MHz
- Authentication: Open System
- AP MAC Address: (empty field)

Below the settings is a 'Site Survey' section with a 'Scan' button and a table with columns: CH, RSSI, BSSID, Security, and SSID. The table is currently empty.

The 'Key Settings' section includes:

- Encryption: Disable Enable
- Key Type: HEX
- Key Size: 64 Bits
- Key Index(1~4): 1
- Network Key: (empty field)
- Confirm Key: (empty field)

A 'Save' button is located at the bottom right of the configuration page.

AP MAC Address: Enter the MAC addresses of the APs on your network that will serve as bridges to wirelessly connect multiple networks.

Site Survey: Click on the **Scan** button to search for available wireless networks, then click on the available network that you want to connect with.

Authentication: Use the drop-down menu to choose **Open System** or **WPA-Personal**.

- Select Open System to communicate the key across the network.
- Select WPA-Personal to secure your network using a password and dynamic key changes. No RADIUS server is required.

Note: *It is highly recommended that you use WPA-Personal to encrypt your network.*

WDS Mode

Wireless Band: Select either 2.4GHz or 5GHz from the drop-down menu.

Mode: WDS is selected from the drop-down menu.

Network Name (SSID): Service Set Identifier (SSID) is the name designated for a specific wireless local area network (WLAN). The SSID's factory default setting is **dlink**. The SSID can be easily changed to connect to an existing wireless network or to establish a new wireless network.

Auto Channel Selection: Enabling this feature automatically selects the channel that will provide the best wireless performance. This feature is not supported in WDS mode.

Channel: All devices on the network must share the same channel. To change the channel, use the drop-down menu to make the desired selection.

Channel Width: Allows you to select the channel width you would like to operate in 2.4GHz and 5GHz. Use the drop-down menu to choose 20 MHz or Auto 20/40 MHz or Auto 20/40/80 MHz.

AP MAC Address: Enter the MAC addresses of the APs on your network that will serve as bridges to wirelessly connect multiple networks.

The screenshot displays the D-Link configuration interface for the DAP-X3060OU device. The 'Wireless Settings' section is active, showing the following configurations:

- Wireless Band: 2.4 GHz
- Mode: WDS
- Network Name (SSID): dlink
- Auto Channel Selection: Enable
- Channel: 11
- Channel Width: 20 MHz
- Authentication: Open System
- AP MAC Address: (empty field)

The 'Site Survey' section contains a table with the following headers: CH, RSSI, BSSID, Security, and SSID. The table is currently empty.

The 'Key Settings' section includes:

- Encryption: Disable Enable
- Key Type: HEX
- Key Size: 64 Bits
- Key Index(1~4): 1
- Network Key: (empty field)
- Confirm Key: (empty field)

A 'Save' button is located at the bottom right of the configuration area.

Site Survey: Click on the **Scan** button to search for available wireless networks, then click on the available network that you want to connect with.

Authentication: Use the drop-down menu to choose **Open System** or **WPA-Personal**.

- Select Open System to communicate the key across the network.
- Select WPA-Personal to secure your network using a password and dynamic key changes. No RADIUS server is required.

Note: *It is highly recommended that you use WPA-Personal to encrypt your network.*

Wireless Security

Wireless security is a key concern for any wireless network. Unlike any other networking methods, wireless networks broadcast its presence for anyone to connect to it. Today, wireless security has advanced to a level where it is virtually impenetrable.

There are mainly two forms of wireless encryption and they are called Wired Equivalent Privacy (WEP) and Wi-Fi Protected Access (WPA). WEP was the first security method developed. It is a low level encryption but better than now encryption. WPA is the newest encryption standard and with the advanced WPA3 standard, wireless networks have finally reach a point where the security is strong enough to give users peace of mind when installing wireless networks.

Note: The default Open System authentication allows wireless connection without requiring user authentication. It is highly recommended that you encrypt your network using one of the security methods other than the default setting.

Wired Equivalent Privacy (WEP)

WEP Open System will send a request to the access point and if the key used matches the one configured on the access point, the access point will return a success message back to the wireless client. If the key does not match the one configured on the access point, the access point will deny the connection request from the wireless client.

Encryption: Use the radio button to disable or enable encryption.

Key Type: Select HEX** or ASCII*.

Key Size: Select 64 Bits or 128 Bits.

Key Index (1-4): Select the 1st through the 4th key to be the active key.

Key: Input up to four keys for encryption. You will select one of these keys in the Key Index drop-down menu.

**Hexadecimal (HEX) digits consist of the numbers 0-9 and the letters A-F.

*ASCII (American Standard Code for Information Interchange) is a code that represents English letters using numbers ranging from 0-127.

Wireless Settings

Wireless Band: 2.4 GHz

Mode: Access Point

Network Name (SSID): dlink

SSID Visibility: Enable

Auto Channel Selection: Enable

Channel: 6

Channel Width: 20 MHz

Authentication: Open System

Key Settings

Encryption: Disable Enable

Key Type: HEX Key Size: 64 Bits

Key Index(1~4): 1

Network Key:

Confirm Key:

(0-9,a-z,A-Z,~!@#%&*()_+`-={};\:"|,./<>?)

Save

Wi-Fi Protected Access (WPA / WPA2 / WPA3)

WPA was created by the Wi-Fi Alliance to address the limitations and weaknesses found in WEP. This protocol is mainly based on the 802.11i standard. There are also two variations found in WPA called WPA-Personal (PSK) and WPA-Enterprise (EAP).

WPA-EAP requires the user to install a RADIUS Server on the network for authentication.

WPA-Personal does not require the user to install a RADIUS Server on the network.

Comparing WPA-PSK with WPA-EAP, WPA-PSK is seen as a weaker authentication but comparing WPA-PSK to WEP, WPA-PSK is far more secure than WEP. WPA-EAP is the highest level of wireless security a user can use for wireless today.

WPA2/WPA3 are upgrades of WPA. WPA2/WPA3 yet again solves some possible security issues found in WPA. WPA2/WPA3 have two variations called WPA2/WPA3-Personal (PSK) and WPA2/WPA3-Enterprise (EAP) which are the same as found with WPA.

WPA Mode: When WPA-Personal is selected for Authentication type, you must also select a WPA mode from the drop-down menu: AUTO (WPA or WPA2), WPA2 or WPA3, WPA2 Only or WPA3 Only.

Cipher Type: When you select WPA-Personal, you must also select AUTO, AES, or TKIP from the drop-down menu.

Group Key Update: Select the interval during which the group key will be valid. The default value of 3600 is recommended.

Pass Phrase: When you select WPA-Personal, enter a Pass Phrase in the corresponding field.

Wireless Settings

Wireless Band: 2.4 GHz

Mode: Access Point

Network Name (SSID): dlink

SSID Visibility: Enable

Auto Channel Selection: Enable

Channel: 6

Channel Width: 20 MHz

Authentication: WPA-Personal

Passphrase Settings

WPA Mode: AUTO (WPA or WPA2)

Cipher Type: Auto Group Key Update Interval: 3600 (Sec)

Manual Periodical Key Change

Activated From: Sun : 0 : 0

Time Interval: 1 (1~168)hour(s)

passphrase:

Confirm Passphrase:

notice: 8~63 in ASCII or 64 in Hex.
(0-9,a-z,A-Z,~!@#\$\$%^&*()_+`-={}|:;\",./<>?)

Save

WPA Mode: When WPA-Enterprise is selected, you must also select a WPA mode from the drop-down menu: AUTO (WPA or WPA2) or WPA2 Only or WPA3 only.

Cipher Type: When WPA-Enterprise is selected, you must also select a cipher type from the drop-down menu: Auto, AES, or TKIP.

Group Key Update Interval: Select the interval during which the group key will be valid. 3600 is the recommended value as a lower interval may reduce data transfer rates.

RADIUS Server: Enter the IP address of the RADIUS server to be used in authenticate.

RADIUS Port: Enter the RADIUS port.

RADIUS Secret: Enter the shared secret to be used between the radius server and the DAP to authenticate.

Accounting Mode: Click the drop-down menu to enable or disable the accounting mode.

Accounting Server: Enter the IP address of the accounting server.

Accounting Port: Enter the accounting port.

Accounting Secret: Enter the accounting secret.

Save: Save the updated configuration. Click **Configuration > Save and Activate** to make changes permanent.

The screenshot shows the 'Wireless Settings' configuration interface. It includes the following fields and options:

- Wireless Band:** 2.4 GHz
- Mode:** Access Point
- Network Name (SSID):** dlink
- SSID Visibility:** Enable
- Auto Channel Selection:** Enable
- Channel:** 6
- Channel Width:** 20 MHz
- Authentication:** WPA-Enterprise
- RADIUS Server Settings:**
 - WPA Mode:** AUTO (WPA or WPA2)
 - Cipher Type:** Auto
 - Group Key Update Interval:** 3600 (Sec)
- RADIUS Server Mode:** External (selected), Internal
- Primary RADIUS Server Setting:**
 - RADIUS Server:** [Empty]
 - RADIUS Port:** 1812
 - RADIUS Secret:** [Empty]
- Backup RADIUS Server Setting (Optional):**
 - RADIUS Server:** [Empty]
 - RADIUS Port:** 1812
 - RADIUS Secret:** [Empty]
- Primary Accounting Server Setting:**
 - Accounting Mode:** Disable
 - Accounting Server:** [Empty]
 - Accounting Port:** 1813
 - Accounting Secret:** [Empty]
- Backup Accounting Server Setting (Optional):**
 - Accounting Server:** [Empty]
 - Accounting Port:** 1813
 - Accounting Secret:** [Empty]

A 'Save' button is located at the bottom right of the configuration area.

LAN

LAN is short for Local Area Network. This is considered your internal network. These are the IP settings of the LAN interface for the DAP-X3060OU. These settings may be referred to as private settings. You may change the LAN IP address if needed. The LAN IP address is private to your internal network and cannot be seen on the Internet.

Get IP From: **Dynamic IP (DHCP)** is chosen here. Choose this option if you have a DHCP server in your network, or if you wish to assign a static IP address to the DAP-X3060OU. When **Dynamic IP (DHCP)** is selected, the other fields here will be grayed out. Please allow about 2 minutes for the DHCP client to be functional once this selection is made.

IP Address: Assign a static IP address that is within the IP address range of your network.

Subnet Mask: Enter the subnet mask. All devices in the network must share the same subnet mask.

Default Gateway: Enter the IP address of the gateway/router in your network.

DNS: Enter a DNS server IP address. This is usually the local IP address of your gateway/router.

LAN Settings	
Get IP From	Dynamic IP (DHCP) ▼
IP Address	192.168.0.100
Subnet Mask	255.255.255.0
Default Gateway	192.168.0.1
DNS	192.168.0.1

Save

IPv6

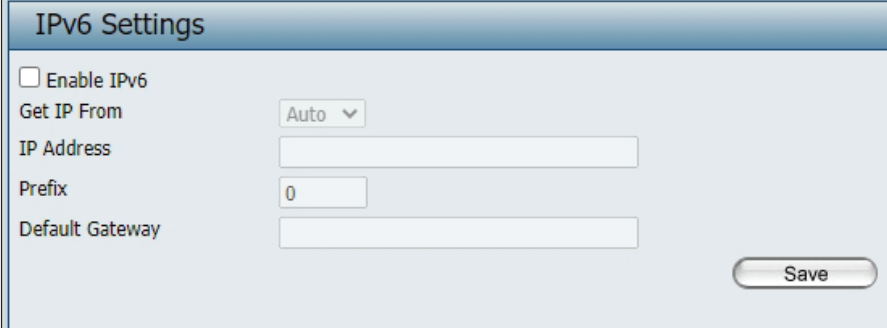
Enable IPv6: Check to enable IPv6

Get IP From: Dynamic IP is chosen here. Choose this option the DAP-X3060OU can get IPv6 address automatically or use Static to set IPv6 address manually.
When **Auto** is selected, the other fields here will be grayed out.

IPv6 Address: Enter the LAN IPv6 address used here.

Prefix: Enter the LAN subnet prefix length value used here.

Default Gateway: Enter the LAN default gateway IPv6 address used here.



The screenshot shows a window titled "IPv6 Settings". It contains the following elements:

- An unchecked checkbox labeled "Enable IPv6".
- A dropdown menu labeled "Get IP From" with "Auto" selected.
- A text input field labeled "IP Address" which is currently empty and appears to be disabled.
- A text input field labeled "Prefix" with the value "0" entered and appears to be disabled.
- A text input field labeled "Default Gateway" which is currently empty and appears to be disabled.
- A "Save" button located in the bottom right corner of the window.

Advanced Settings

In the Advanced Settings Section the user can configure advanced settings concerning Performance, Wireless Resource, Multi-SSID, VLAN, Intrusion, Schedule, Internal RADIUS Server, ARP Spoofing Prevention, Bandwidth Optimization, Captive Portal, DHCP Server, Filters and Traffic Control. The following pages will explain settings found in the Advanced Settings section in more detail.

The screenshot displays the D-Link DAP-X3060OU web interface. The top navigation bar includes Home, Maintenance, Configuration, System, Logout, and Help. The left sidebar shows a tree view of settings categories: Basic Settings, Advanced Settings (expanded), Performance, Wireless Resource, Multi-SSID, VLAN, Intrusion, Schedule, Internal RADIUS Server, ARP Spoofing Prevention, Bandwidth Optimization, Captive Portal, DHCP Server, Filters, Traffic Control, and Status. The main content area is titled "Performance Settings" and contains the following configuration options:

Setting	Value
Wireless band	2.4 GHz
Wireless	On
Wireless Mode	Mixed 802.11ax mode
Data Rate	Best(up to 574) (Mbps)
Beacon Interval (40-500)	100
DTIM Interval (1-15)	1
Transmit Power	100%
WMM (Wi-Fi Multimedia)	Enable
Ack Time Out (2.4GHz, 64~200)	64 (μs)
Short GI	Disable
IGMP Snooping	Disable
Multicast Rate	Disable
Multicast Bandwidth Control	Disable
Maximum Multicast Bandwidth	100 kbps
HT20/40 Coexistence	Enable
Transfer DHCP Offer to Unicast	Enable

A "Save" button is located at the bottom right of the settings area.

Performance

On the Performance Settings page the users can configure more advanced settings concerning the wireless signal and hosting.

Wireless Band: Select either 2.4GHz or 5GHz.

Wireless: Use the drop-down menu to turn the wireless function On or Off.

Wireless Mode: The different combination of clients that can be supported include Mixed 802.11b/g/n mode, Mixed 802.11b/g mode, 802.11n Only mode, and Mixed 802.11ax mode in the 2.4 GHz band and Mixed 802.11a/n, 802.11a Only mode, 802.11n Only mode, Mixed 802.11ac mode and Mixed 802.11ax mode in the 5 GHz band. Please note that when backwards compatibility is enabled for legacy (802.11a/g/b) clients, degradation of 802.11n wireless performance is expected.

Data Rate*: Indicate the base transfer rate of wireless adapters on the wireless LAN. The AP will adjust the base transfer rate depending on the base rate of the connected device. If there are obstacles or interference, the AP will step down the rate. This option is enabled in Mixed 802.11 b/g mode (for 2.4 GHz) and 802.11a only mode (for 5 GHz). The choices available are Best (Up to 54), 54, 48, 36, 24, 18, 12, 9, 6 for 5 GHz and Best (Up to 54), 54, 48, 36, 24, 18, 12, 9, 6, 11, 5.5, 2 or 1 for 2.4 GHz.

Beacon Interval (40-500): Beacons are packets sent by an access point to synchronize a wireless network. Specify a value in milliseconds. The default (100) is recommended. Setting a higher beacon interval can help to save the power of wireless clients, while setting a lower one can help a wireless client connect to an access point faster.

DTM Interval (1-15): Select a Delivery Traffic Indication Message setting between 1 and 15. 1 is the default setting. DTIM is a countdown informing clients of the next window for listening to broadcast and multicast messages.

The screenshot shows the 'Performance Settings' window with the following configurations:

- Wireless band: 2.4 GHz
- Wireless: On
- Wireless Mode: Mixed 802.11ax mode
- Data Rate: Best(up to 574) (Mbps)
- Beacon Interval (40-500): 100
- DTIM Interval (1-15): 1
- Transmit Power: 100%
- WMM (Wi-Fi Multimedia): Enable
- Ack Time Out (2.4GHz, 64~200): 64 (us)
- Short GI: Disable
- IGMP Snooping: Disable
- Multicast Rate: Disable
- Multicast Bandwidth Control:
 - Maximum Multicast Bandwidth: 100 kbps
- HT20/40 Coexistence: Enable
- Transfer DHCP Offer to Unicast: Enable

A 'Save' button is located at the bottom right of the window.

Transmit Power: This setting determines the power level of the wireless transmission. Transmitting power can be adjusted to eliminate overlapping of wireless area coverage between two access points where interference is a major concern. For example, if wireless coverage is intended for half of the area, then select 50% as the option. Use the drop-down menu to select 100%, 50%, 25%, or 12.5%.

WMM (Wi-Fi Multimedia): WMM stands for Wi-Fi Multimedia. Enabling this feature will improve the user experience for audio and video applications over a Wi-Fi network. This setting only available when legacy client ([802.11a only mode][Mixed b/g mode]) is selected.

Ack Time Out: To effectively optimize throughput over long distance links enter a value for Acknowledgement Time Out between 64 and 200 microseconds for 5 GHz and 2.4 GHz in the field provided.

Short GI: Select Enable or Disable. Enabling a short guard interval can increase throughput. However, be aware that it can also increase the error rate in some installations due to increased sensitivity to radio-frequency installations. This setting not available when legacy client ([802.11a only mode][Mixed b/g mode]) is selected.

IGMP Snooping: Select Enable or Disable. Internet Group Management Protocol allows the AP to recognize IGMP queries and reports sent between routers and an IGMP host (wireless STA). When IGMP snooping is enabled, the AP will forward multicast packets to an IGMP host based on IGMP messages passing through the AP. This setting not available when WDS mode is enabled.

Multicast Rate: Select the multicast rate to adjust multicast packet data rates. This setting only available when [Mixed b/g/n mode][Mixed b/g mode][Mixed a/n mode][802.11a only mode] is selected

Multicast BandwidthControl: Adjust the multicast packet data rate here. The Multicast Bandwidth Control is supported in AP mode, (2.4 GHZ and 5 GHZ) and WDS with AP mode, including Multi-SSIDs. This setting not available when WDS mode is enabled.

Maximum Multicast Bandwidth: Set the multicast packets' maximum bandwidth pass through rate from the Ethernet interface to the Access Point.

HT20/40 Coexistence: Enable this option to reduce interference from other wireless networks in your area. If the channel width is operating at 40 MHz and there is another wireless network's channel overlapping and causing interference, the Access Point will automatically change to 20 MHz.

Transfer DHCP Offer to Unicast: Enable to transfer the DHCP Offer to Unicast from LAN to WLAN. It is suggested to enable this function if stations number is larger than 30.

Wireless Resource

The Wireless Resource Control window is used to configure the wireless connection settings so that the device can detect the better wireless connection in your environment.

Airtime Fairness: Click the drop-down menu to enable or disable the airtime fairness function.

Band Steering: Click the drop-down menu to enable the band steering function. When the wireless clients support both 2.4GHz and 5GHz and the 2.4GHz signal is not strong enough, the device will use 5GHz as higher priority.

Wireless Band: Click the drop-down menu to select the wireless band, 2.4GHz or 5GHz.

Connection Limit: Click the drop-down menu to enable or disable the connection limit function. The option is for load balancing. This determines whether to limit the number of users accessing this device. The exact number is entered in the User Limit field below. This feature allows the user to share the wireless network traffic and the client using multiple APs. If this function is enabled and when the number of users exceeds this value, or the network utilization of this AP exceeds the percentage that has been specified, the DAP-X3060 will not allow clients to associate with the AP.

User Limit (0 - 128): This function is only available when Connection Limit is enabled. Set the maximum amount of users that are allowed access (0 - 128 users) to the device using the specified wireless band.

The screenshot shows the 'Wireless Resource Control' window with the following settings:

Setting	Value
Airtime Fairness	Disable
Band Steering	Disable
Wireless band	2.4 GHz
Connection Limit	Disable
User Limit (0 - 128)	20
11n/ax Preferred	Disable
Network Utilization	100%
Aging out	Disable
RSSI Threshold	100%
Data Rate Threshold	54
ACL RSSI	Disable
ACL RSSI Threshold	60%

A 'Save' button is located at the bottom right of the window.

-
- 11n Preferred:** This function is only available when Connection Limit is enabled. Use the drop-down menu to enable the 11n Preferred function. The wireless clients with 802.11n protocol will have higher priority to connect to the device.
- Network Utilization:** Click the drop-down menu to set the maximum utilization of this access point for service. The DAP-X3060 will not allow any new clients to associate with the AP if the utilization exceeds the value the user specifies. When this network utilization threshold is reached, the device will pause for one minute to allow network congestion to dissipate.
- Aging out:** Use the drop-down menu to select the criteria for disconnecting the wireless clients.
- RSSI Threshold:** When **Aging out** is **RSSI**, click the drop-down menu to select the percentage of RSSI. When the RSSI of wireless clients is lower than the specified percentage, the device disconnects the wireless clients. The function is only available when **Aging out** is **RSSI**.
- Data Rate Threshold:** When **Aging out** is **Data Rate**, click the drop-down menu to select the threshold of data rate. When the data rate of wireless clients is lower than the specified number, the device disconnects the wireless clients. The function is only available when **Aging out** is **Data Rate**.
- ACL RSSI:** Click the drop-down menu to enable the ACL RSSI function. When enabled, the device denies the connection request from the wireless clients with the RSSI lower than the specified threshold below.
- ACL RSSI Threshold:** Click the drop-down menu to set the ACL RSSI Threshold.
- Save:** Click to save the updated configuration. To make the updates permanent, click **Configuration > Save and Activate**.

Encryption: When you select Open System, toggle between Enable and Disable. If Enable is selected, the Key Type, Key Size, Key Index (1~4), Key, and Confirm Keys must also be configured.

Key Type: Select HEX or ASCII.

Key Size: Select 64-bit or 128-bit.

Key Index (1-4): Select from the 1st to 4th key to be set as the active key.

Key: Input up to four keys for encryption. You will select one of these keys in the Key Index drop-down menu.

WPA Mode: When you select either WPA-Personal or WPA-Enterprise, you must also choose a WPA mode from the drop-down menu.

Cipher Type: Select Auto, AES, or TKIP from the drop-down menu.

Group Key Update Interval: Select the interval during which the group key will be valid. The default value of 3600 seconds is recommended.

Pass Phrase: When you select WPA-Personal, please enter a Pass Phrase in the corresponding field.

Confirm Pass Phrase: When you select WPA-Personal, please re-enter the Pass Phrase entered in the previous item in the corresponding field.

RADIUS Server: When you select WPA-Enterprise, enter the IP address of the RADIUS server. In addition, you must configure RADIUS Port and RADIUS Secret.

RADIUS Port: Enter the RADIUS port.

RADIUS Secret: Enter the RADIUS secret.

Accounting Mode: Click the drop-down menu to enable or disable the accounting mode.

Accounting Server: Enter the IP address of the accounting server.

VLAN

VLAN List

The DAP-X3060OU supports VLANs. VLANs can be created with a Name and VID. Mgmt (TCP stack), LAN, Primary/Multiple SSID, and WDS connection can be assigned to VLANs as they are physical ports. Any packet which enters the DAP-X3060OU without a VLAN tag will have a VLAN tag inserted with a PVID. The VLAN List tab displays the current VLANs.

VLAN Status: Use the radio button to toggle to Enable. Next, go to the Add/Edit VLAN tab to add or modify an item on the VLAN List tab.

VLAN Mode: The current VLAN mode is displayed.

Save: Click to save the updated configuration. To make the updates permanent, click Configuration > **Save and Activate**.

VID: Displays the VID of the VLAN.

VLAN Name: Displays the name of the VLAN.

Untag VLAN Ports Displays the untagged ports.

Tag VLAN Ports: Displays the tagged ports.

Edit: Click the icon to edit the current VLAN.

Delete: Click the icon to delete the current VLAN.

VLAN Settings

VLAN Status Disable Enable

VLAN Mode Static(2.4 GHz) Static(5 GHz)

VLAN List | Port List | Add/Edit VLAN | PVID Setting

VID	VLAN Name	Untag VLAN Ports	Tag VLAN Ports	Edit	Delete
1	default	Mgmt, LAN, Primary(2.4 GHz), S-1(2.4 GHz), S-2(2.4 GHz), S-3(2.4 GHz), S-4(2.4 GHz), S-5(2.4 GHz), S-6(2.4 GHz), S-7(2.4 GHz), Primary(5 GHz), S-1(5 GHz), S-2(5 GHz), S-3(5 GHz), S-4(5 GHz), S-5(5 GHz), S-6(5 GHz), S-7(5 GHz)			

Port List

The Port List tab displays the current ports. If you want to configure the guest and internal networks on a Virtual LAN (VLAN), the switch and DHCP server you are using must also support VLANs. As a prerequisite step, configure a port on the switch for handling VLAN tagged packets as described in the IEEE 802.1Q standard.

VLAN Status: Use the radio button to toggle to Enable. Next, go to the Add/Edit VLAN tab to add or modify an item on the VLAN List tab.

VLAN Mode: Displays the current VLAN mode.

Save: Click to save the updated configuration. To make the updates permanent, click Configuration > **Save and Activate**.

Port Name: The name of the port is displayed in this column.

Tag VID: The Tagged VID is displayed in this column.

Untag VID: The Untagged VID is displayed in this column.

PVID: The Port VLAN Identifier is displayed in this column.

VLAN Settings			
VLAN Status <input checked="" type="radio"/> Disable <input type="radio"/> Enable <input type="button" value="Save"/>			
VLAN Mode <input type="radio"/> Static(2.4 GHz) <input type="radio"/> Static(5 GHz)			
VLAN List	Port List	Add/Edit VLAN	PVID Setting
Port Name	Tag VID	Untag VID	PVID
Mgmt		1	1
LAN		1	1
Primary(2.4 GHz)		1	1
S-1(2.4 GHz)		1	1
S-2(2.4 GHz)		1	1
S-3(2.4 GHz)		1	1
S-4(2.4 GHz)		1	1
S-5(2.4 GHz)		1	1
S-6(2.4 GHz)		1	1
S-7(2.4 GHz)		1	1
Primary(5 GHz)		1	1
S-1(5 GHz)		1	1
S-2(5 GHz)		1	1
S-3(5 GHz)		1	1
S-4(5 GHz)		1	1
S-5(5 GHz)		1	1
S-6(5 GHz)		1	1
S-7(5 GHz)		1	1

Add/Edit VLAN

The Add/Edit VLAN tab is used to configure VLANs. Once you have made the desired changes, click the Save button to let your changes take effect.

VLAN Status: Use the radio button to toggle to Enable.

VLAN Mode: Displays the current VLAN mode.

VLAN ID: Provide a number between 1 and 4094 for the Internal VLAN.

VLAN Name: Enter the VLAN to add or modify.

Save: Click to save the updated configuration. To make the updates permanent, click Configuration > **Save and Activate**.

VLAN Settings

VLAN Status Disable Enable Save

VLAN Mode Static(2.4 GHz) Static(5 GHz)

VLAN List
Port List
Add/Edit VLAN
PVID Setting

VLAN ID (VID) VLAN Name

Port	Select All	Mgmt	LAN
Untag	All	<input type="radio"/>	<input type="radio"/>
Tag	All	<input type="radio"/>	<input type="radio"/>
Not Member	All	<input type="radio"/>	<input type="radio"/>

2.4 GHz

MSSID Port	Select All	Primary	S-1	S-2	S-3	S-4	S-5	S-6	S-7
Untag	All	<input type="radio"/>	<input type="radio"/>	<input type="radio"/>	<input type="radio"/>	<input type="radio"/>	<input type="radio"/>	<input type="radio"/>	<input type="radio"/>
Tag	All	<input type="radio"/>	<input type="radio"/>	<input type="radio"/>	<input type="radio"/>	<input type="radio"/>	<input type="radio"/>	<input type="radio"/>	<input type="radio"/>
Not Member	All	<input type="radio"/>	<input type="radio"/>	<input type="radio"/>	<input type="radio"/>	<input type="radio"/>	<input type="radio"/>	<input type="radio"/>	<input type="radio"/>

5 GHz

MSSID Port	Select All	Primary	S-1	S-2	S-3	S-4	S-5	S-6	S-7
Untag	All	<input type="radio"/>	<input type="radio"/>	<input type="radio"/>	<input type="radio"/>	<input type="radio"/>	<input type="radio"/>	<input type="radio"/>	<input type="radio"/>
Tag	All	<input type="radio"/>	<input type="radio"/>	<input type="radio"/>	<input type="radio"/>	<input type="radio"/>	<input type="radio"/>	<input type="radio"/>	<input type="radio"/>
Not Member	All	<input type="radio"/>	<input type="radio"/>	<input type="radio"/>	<input type="radio"/>	<input type="radio"/>	<input type="radio"/>	<input type="radio"/>	<input type="radio"/>

Save

PVID Settings

The PVID Setting tab is used to enable/disable the Port VLAN Identifier Auto Assign Status as well as to configure various types of PVID settings. Click the Save button to let your changes take effect.

VLAN Status: Use the radio button to toggle between Enable and Disable.

VLAN Mode: Displays the current VLAN mode.

PVID Auto Assign Status: Use the radio button to toggle PVID auto assign status to Enable.

VLAN Settings

VLAN Status Disable Enable

VLAN Mode Static(2.4 GHz) Static(5 GHz)

VLAN List Port List Add/Edit VLAN **PVID Setting**

PVID Auto Assign Status Disable Enable

Port	Mgmt	LAN						
PVID	1	1						

2.4 GHz

MSSID	Primary Port	S-1	S-2	S-3	S-4	S-5	S-6	S-7
PVID	1	1	1	1	1	1	1	1

5 GHz

MSSID	Primary Port	S-1	S-2	S-3	S-4	S-5	S-6	S-7
PVID	1	1	1	1	1	1	1	1

Intrusion

The Wireless Intrusion Protection window is used to set APs as All, Valid, Neighborhood, Rogue, and New. Click the Save button to let your changes take effect.

Wireless Band: Select 2.4GHz or 5GHz.

AP List: Click the drop-down menu to select **All**, **Valid**, **Neighbor**, **Rogue**, and **New**.

The following is a definition of the listed AP categories:

- **Valid:** An AP which is authenticated to the network with encryption is classified as valid.
- **Neighbor:** A detected AP with a weak signal strength is classified as a suspect neighbor.
- **Rogue:** An AP that has been installed on the secure network without explicit authorization.
- **New:** An alternative category.

From the AP List select a detected AP and click **Set as Valid**, **Set as Neighborhood**, **Set as Rogue**, or **Set as New** to manually define the category type for the AP. Alternatively, click the radio button to mark all new access points as valid or rogue.

Save: Click to save the updated configuration. To make the updates permanent, click Configuration > **Save and Activate**.

Wireless Intrusion Protection

Wireless Band: 2.4 GHz

Detect

AP List

All

Type	Band	CH	SSID	BSSID	Last Seen	Status
------	------	----	------	-------	-----------	--------

Set as Valid Set as Neighborhood Set as Rogue Set as New

Mark All New Access Points as Valid Access Points
 Mark All New Access Points as Rogue Access Points

Save

Schedule

The Wireless Schedule Settings window is used to add and modify scheduling rules on the device. Click the Save button to let your changes take effect.

Wireless Schedule: Use the drop-down menu to enable the device's scheduling feature.

Name: Enter a name for the new scheduling rule in the field provided.

Index: Use the drop-down menu to select the desired SSID.

SSID: This read-only field indicates the current SSID in use. To create a new SSID, go to the Wireless Settings window (Basic Settings > **Wireless**).

Day(s): Toggle the radio button between All Week and Select Day(s). If the second option is selected, check the specific days you want the rule to be effective on.

All Day(s): Check this box to have your settings apply 24 hours a day.

Start Time: Enter the beginning hour and minute, using a 24-hour clock.

End Time: Enter the ending hour and minute, using a 24-hour clock.

Wireless Schedule Settings

Wireless Schedule

Add Schedule Rule

Name

Index

SSID

Day(s) All Week Select Day(s)

Sun Mon Tue Wed Thu Fri Sat

All Day(s)

Start Time : hour:minute, 24 hour time

End Time : hour:minute, 24 hour time Overnight

Schedule Rule List

Name	SSID Index	SSID	Day(s)	Time Frame	Wireless	Edit	Del
+: To the end time of the next day overnight.							

Internal RADIUS Server

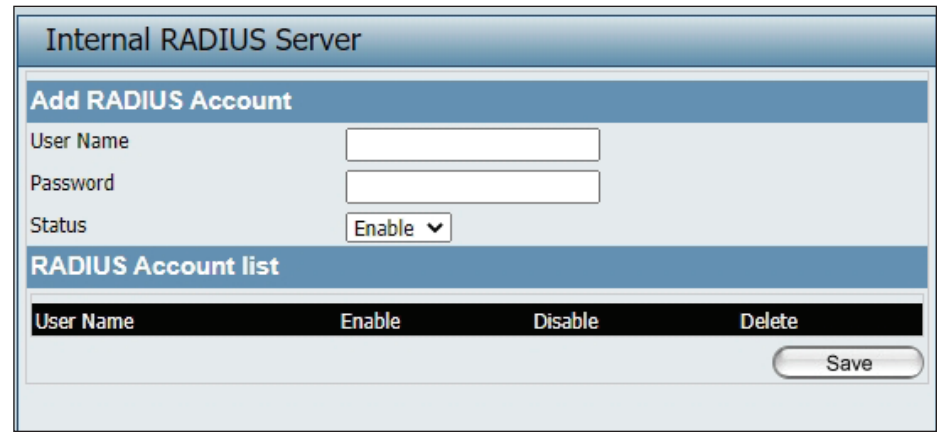
The DAP-X3060OU features a built-in RADIUS server. Once you have finished adding a RADIUS account, click the Save button to let your changes take effect. The newly-created account will appear in this RADIUS Account List. The radio buttons allow the user to enable or disable the RADIUS account. Click the icon in the delete column to remove the RADIUS account. We suggest you limit the number of accounts below 30.

User Name: Enter a name to authenticate user access to the internal RADIUS server.

Password: Enter a password to authenticate user access to the internal RADIUS server. The length of your password should be 8~64.

Status: Toggle the drop-down menu between Enable and Disable.

RADIUS Account List: Displays the list of users.



The screenshot shows the 'Internal RADIUS Server' configuration page. It is divided into two main sections: 'Add RADIUS Account' and 'RADIUS Account list'. The 'Add RADIUS Account' section contains three input fields: 'User Name' (a text box), 'Password' (a text box), and 'Status' (a dropdown menu currently set to 'Enable'). The 'RADIUS Account list' section features a table with four columns: 'User Name', 'Enable', 'Disable', and 'Delete'. Below the table is a 'Save' button.

User Name	Enable	Disable	Delete

Save

ARP Spoofing Prevention

The ARP Spoofing Prevention feature allows users to add IP/MAC address mapping to prevent ARP spoofing attacks.

ARP Spoofing Prevention: This drop-down allows you to enable the ARP spoofing prevention function.

Add: Click to create a defined rule.

Clear: Click to clear a defined rule.

Gateway IP Address: Enter a gateway IP address.

Gateway MAC Address: Enter a gateway MAC address.

Delete All: Click to delete all gateway entries.

Edit: Click to edit the selected gateway entry.

Delete: Click to delete the gateway entry.

Save: Click to save the updated configuration. To make the updates permanent, click Configuration > **Save and Activate**.

The screenshot shows the 'ARP Spoofing Prevention Settings' window. At the top, there is a title bar and a dropdown menu for 'ARP Spoofing Prevention' currently set to 'Disable'. Below this is a section titled 'Add Gateway Address' with two input fields: 'Gateway IP Address' and 'Gate MAC Address'. The 'Gate MAC Address' field is split into six segments separated by colons. There are 'Add' and 'Clear' buttons below these fields. The next section is 'Gateway Address List', which shows 'Total Entries' as 0 and a 'Delete All' button. Below this is a table with four columns: 'Gateway IP Address', 'Gate MAC Address', 'Edit', and 'Delete'. At the bottom right of the window is a 'Save' button.

Bandwidth Optimization

The Bandwidth Optimization window allows the user to manage the bandwidth of the device and arrange the bandwidth for various wireless clients. When the Bandwidth Optimization rule is finished, click the **Add** button. To discard the Add Bandwidth Optimization Rule settings, click the **Clear** button. Click the **Save** button to let your changes take effect.

Enable Bandwidth Optimization: Use the drop-down menu to Enable the Bandwidth Optimization function.

Downlink Bandwidth: Enter the downlink bandwidth of the device in Mbits per second.

Uplink Bandwidth: Enter the uplink bandwidth of the device in Mbits per second.

Allocate average BW for each station: AP will distribute average bandwidth for each client.

Allocate maximum BW for each station: Specify the maximum bandwidth for each connected client. Reserve certain bandwidth for future clients.

Allocate different BW for a/b/g/n stations: The weight of 11b/g/n and 11a/n client are 10%/20%/70% and 20%/80%. AP will distribute different bandwidth for 11a/b/g/n clients.

Allocate specific BW for SSID: All clients share the total bandwidth.

Rule Type: Use the drop-down menu to select the type that is applied to the rule. Available options are: **Allocate average BW for each station**, **Allocate maximum BW for each station**, **Allocate different BW for 1a/b/g/n stations**, and **Allocate specific BW for SSID**.

Band: Use the drop-down menu to toggle the wireless band between 2.4GHz and 5GHz.

SSID Index: Use the drop-down menu to select the SSID for the specified wireless band.

Downlink Speed: Enter the limitation of the downloading speed in either Kbits/sec or Mbits/sec for the rule.

Uplink Speed: Enter the limitation of the uploading speed in either Kbits/sec or Mbits/sec for the rule.

Add: Click to create a defined rule.

Clear: Click to remove the settings from the menu interface.

Edit: Click to edit the selected gateway entry.

Delete: Click to delete the gateway entry.

Save: Click to save the updated configuration. To make the updates permanent, click Configuration > **Save and Activate.**

Captive Portal

Authentication Settings-Web Redirection Only

The Captive Portal is a built-in web authentication server. When a station connects to an AP, the web browser will be redirected to a web authentication page. In this window, users can view and configure the Captive Portal settings. After selecting Web Redirection Only as the Authentication Type, we can configure the redirection website URL that will be applied to each wireless client in this network.

Idle Timeout(1-1440): Enter the session timeout value here. This value can be from 1 to 1440 minutes. By default, this value is 60 minutes.

Band:
Select 2.4GHz or 5GHz.

SSID Index:
Select the SSID for this Authentication.

Authentication Type:
Select the captive portal encryption type here. Options to choose from are Web Redirection, Username/Password, Passcode, Remote RADIUS, LDAP and POP3. In this section we'll discuss the Web Redirection option.

Web Redirection State:
The default setting is Enable when you select **Web Redirection Only**.

URL Path:
Select whether to use either HTTP or HTTPS here. After selecting either http:// or https://, enter the URL of the website that will be used in the space provided.

IPIF Status:
Select to **Enable** or **Disable** the Captive Portal with its IP interface feature here.

VLAN Group:
Enter the VLAN Group ID here.

Get IP From:

Captive Portal Authentication

Idle Timeout (1-1440)	<input type="text" value="60"/>	Minute(s)
Band	<input type="button" value="2.4 GHz"/>	
SSID Index	<input type="button" value="Primary SSID"/>	
Authentication Type	<input type="button" value="Web Redirection Only"/>	
Web Redirection Interface Settings		
Web Redirection State	<input type="button" value="Enable"/>	
URL Path	<input type="button" value="http://"/> <input style="width: 150px;" type="text"/>	
IP Interface Settings		
IPIF Status	<input type="button" value="Disable"/>	
VLAN Group	<input style="width: 150px;" type="text"/>	
Get IP From	<input type="button" value="Static IP(Manual)"/>	
IP Address	<input style="width: 150px;" type="text"/>	
Subnet Mask	<input style="width: 150px;" type="text"/>	
Gateway	<input style="width: 150px;" type="text"/>	
DNS	<input style="width: 150px;" type="text"/>	
<input type="button" value="Save"/>		

Band	SSID Index	Captive Profile	Edit	Delete
-------------	-------------------	------------------------	-------------	---------------

Static IP (Manual) is chosen here. Choose this option if you do not have a DHCP server in your network, or if you wish to assign a static IP address to the DAP-X3060OU. When Dynamic IP (DHCP) is selected, the other fields here will be grayed out. Please allow about 2 minutes for the DHCP client to be functional once this selection is made.

IP Address:

Assign a static IP address that is within the IP address range of your network.

Subnet Mask:

Enter the subnet mask. All devices in the network must share the same subnet mask.

Gateway: Enter the IP address of the gateway/router in your network.

DNS: Enter a DNS server IP address. This is usually the local IP address of your gateway/router.

Edit: Click to edit the selected entry.

Delete: Click to delete the entry.

Save: Click to save the updated configuration. To make the updates permanent, click Configuration > **Save and Activate**.

Authentication Settings- Username/Password

The Captive Portal is a built-in web authentication server. When a station connects to an AP, the web browser will be redirected to a web authentication page. In this window, users can view and configure the Captive Portal settings. After selecting Username/Password as the Authentication Type, we can configure the Username/Password authentication that will be applied to each wireless client in this network.

Session timeout(1-1440): Enter the session timeout value here. This value can be from 1 to 1440 minutes. By default, this value is 60 minutes.

Band: Select 2.4GHz or 5GHz.

SSID Index: Select the SSID for this Authentication.

Authentication Type: Select the captive portal encryption type here. Options to choose from are Web Redirection, Username/Password, Passcode, Remote RADIUS, LDAP and POP3. In this section we'll discuss the Username/Password option.

Web Redirection State: Disable is default setting. Select Enable to enable the website redirection feature.

URL Path: Select whether to use HTTP or HTTPS. After selecting either http:// or https://, enter the URL of the website that will be used in the space provided.

IPIF Status: Select to Enable or Disable the Captive Portal with its IP interface feature here.

VLAN Group: Enter the VLAN Group ID here.

Captive Portal Authentication

Idle Timeout (1-1440) Minute(s)

Band

SSID Index

Authentication Type

Web Redirection Interface Settings

Web Redirection State

URL Path

IP Interface Settings

IPIF Status

VLAN Group

Get IP From

IP Address

Subnet Mask

Gateway

DNS

Username/Password Settings

Username

Password

Username	Edit	Delete

Band	SSID Index	Captive Profile	Edit	Delete

Get IP From: Static IP (Manual) is chosen here. Choose this option if you do not have a DHCP server in your network, or if you wish to assign a static IP address to the DAP-X3060OU. When Dynamic IP (DHCP) is selected, the other fields here will be grayed out. Please allow about 2 minutes for the DHCP client to be functional once this selection is made.

IP Address: Assign a static IP address that is within the IP address range of your network.

Subnet Mask: Enter the subnet mask. All devices in the network must share the same subnet mask.

Gateway: Enter the IP address of the gateway/router in your network.

DNS: Enter a DNS server IP address. This is usually the local IP address of your gateway/router.

Username: Enter the username for the new account here.

Password: Enter the password for the new account here.

Add: Click to create a defined rule.

Clear: Click to remove the settings from the menu interface.

Edit: Click to edit the selected gateway entry.

Delete: Click to delete the gateway entry.

Save: Click to save the updated configuration. To make the updates permanent, click Configuration > **Save and Activate**.

Authentication Settings- Passcode

The Captive Portal is a built-in web authentication server. When a station connects to an AP, the web browser will be redirected to a web authentication page. In this window, users can view and configure the Captive Portal settings. After selecting Passcode as the Authentication Type, you can configure the Passcode authentication that will be applied to each wireless client in this network.

Session timeout(1-1440): Enter the session timeout value here. This value can be from 1 to 1440 minutes. By default, this value is 60 minutes.

Band: Select 2.4GHz or 5GHz.

SSID Index: Select the SSID for this Authentication.

Authentication Type: Select the captive portal encryption type here. Options to choose from are Web Redirection, Username/Password, Passcode, Remote RADIUS, LDAP and POP3. In this section we'll discuss the Passcode option.

Web Redirection State: The default setting is Disable. Select Enable to enable the website redirection feature.

URL Path: Select whether to use HTTP or HTTPS here. After selecting either http:// or https://, enter the URL of the website that will be used in the space provided.

IPIF Status: Select to Enable or Disable the Captive Portal with its IP interface feature here.

VLAN Group: Enter the VLAN Group ID here.

Captive Portal Authentication

Idle Timeout (1-1440) Minute(s)

Band

SSID Index

Authentication Type

Web Redirection Interface Settings

Web Redirection State

URL Path

IP Interface Settings

IPIF Status

VLAN Group

Get IP From

IP Address

Subnet Mask

Gateway

DNS

Passcode Settings

Passcode Quantity

Duration Hour

Last Active Time Year Month Day

Hour

User Limit

Passcode	Duration	Last Active Time	User Limit	Delete

Band	SSID Index	Captive Profile	Edit	Delete

Get IP From: Static IP (Manual) is chosen here. Choose this option if you do not have a DHCP server in your network, or if you wish to assign a static IP address to the DAP-X3060OU. When Dynamic IP (DHCP) is selected, the other fields here will be grayed out. Please allow about 2 minutes for the DHCP client to be functional once this selection is made.

IP Address: Assign a static IP address that is within the IP address range of your network.

Subnet Mask: Enter the subnet mask. All devices in the network must share the same subnet mask.

Gateway: Enter the IP address of the gateway/router in your network.

DNS: Enter a DNS server IP address. This is usually the local IP address of your gateway/router.

Passcode Quantity: Enter the number of ticket that will be used here.

Duration: Enter the duration value, in hours, for this passcode.

Last Active Day: Select the last active date for this passcode here. Year, Month and Day selections can be made.

User Limit: Enter the maximum amount of users that can use this passcode at the same time

Add: Click to create a defined rule.

Clear: Click to remove the settings from the menu interface.

Delete All: Click to delete all passcode setting entries

Edit: Click to edit the selected entry.

Delete: Click to delete the entry.

Save: Click to save the updated configuration. To make the updates permanent, click Configuration > **Save and Activate.**

Authentication Settings- Remote RADIUS

The Captive Portal is a built-in web authentication server. When a station connects to an AP, the web browser will be redirected to a web authentication page. In this window, users can view and configure the Captive Portal settings. After selecting Remote RADIUS as the Authentication Type, you can configure the Remote RADIUS authentication that will be applied to each wireless client in this network.

Session timeout(1-1440): Enter the session timeout value here. This value can be from 1 to 1440 minutes. By default, this value is 60 minutes.

Band: Select 2.4GHz or 5GHz.

SSID Index: Select the SSID for this Authentication.

Authentication Type: Select the captive portal encryption type here. Options to choose from are Web Redirection, Username/Password, Passcode, Remote RADIUS, LDAP and POP3. In this section we'll discuss the Remote RADIUS option.

Web Redirection State: The default setting is Disable. Select Enable to enable the website redirection feature.

URL Path: Select whether to use either HTTP or HTTPS here. After selecting either http:// or https://, enter the URL of the website that will be used in the space provided.

IPIF Status: Select to Enable or Disable the Captive Portal with its IP interface feature here.

VLAN Group: Enter the VLAN Group ID here.

Captive Portal Authentication

Idle Timeout (1-1440) Minute(s)

Band

SSID Index

Authentication Type

Web Redirection Interface Settings

Web Redirection State

URL Path

IP Interface Settings

IPIF Status

VLAN Group

Get IP From

IP Address

Subnet Mask

Gateway

DNS

Remote RADIUS Settings

Radius Server Settings

Radius Server Radius Port

Radius Secret

Remote RADIUS Type

Secondary radius Server Settings

Radius Server Radius Port

Radius Secret

Remote RADIUS Type

Third radius Server Settings

Radius Server Radius Port

Radius Secret

Remote RADIUS Type

Band **SSID Index** **Captive Profile** **Edit** **Delete**

Get IP From: Static IP (Manual) is chosen here. Choose this option if you do not have a DHCP server in your network, or if you wish to assign a static IP address to the DAP-X3060OU. When Dynamic IP (DHCP) is selected, the other fields here will be grayed out. Please allow about 2 minutes for the DHCP client to be functional once this selection is made.

IP Address: Assign a static IP address that is within the IP address range of your network.

Subnet Mask: Enter the subnet mask. All devices in the network must share the same subnet mask.

Gateway: Enter the IP address of the gateway/router in your network.

DNS: Enter a DNS server IP address. This is usually the local IP address of your gateway/router.

Radius Server: Enter the RADIUS server's IP address here

Radius Port: Enter the RADIUS server's port number here

Radius Port: Enter the RADIUS server's shared secret here

Remote Radius Type: Select the remote RADIUS server type here. The default setting is SPAP.

Edit: Click to edit the selected entry.

Delete: Click to delete the entry.

Save: Click to save the updated configuration. To make the updates permanent, click Configuration > **Save and Activate.**

Authentication Settings- LDAP

The Captive Portal is a built-in web authentication server. When a station connects to an AP, the web browser will be redirected to a web authentication page. In this window, users can view and configure the Captive Portal settings. After selecting LDAP as the Authentication Type, you can configure the LDAP authentication that will be applied to each wireless client in this network.

Session timeout(1-1440): Enter the session timeout value here. This value can be from 1 to 1440 minutes. By default, this value is 60 minutes.

Band: Select 2.4GHz or 5GHz.

SSID Index: Select the SSID for this Authentication.

Authentication Type: Select the captive portal encryption type here. Options to choose from are Web Redirection, Username/Password, Passcode, Remote RADIUS, LDAP and POP3. In this section we'll discuss the LDAP option.

Web Redirection State: The default setting is Disable. Select Enable to enable the website redirection feature.

URL Path: Select whether to use either HTTP or HTTPS here. After selecting either http:// or https://, enter the URL of the website that will be used in the space provided.

IPIF Status: Select to Enable or Disable the Captive Portal with its IP interface feature here.

VLAN Group: Enter the VLAN Group ID here.

Get IP From: Static IP (Manual) is chosen here. Choose this option if you do not have a DHCP server in your network, or if you wish to assign a static IP address to the DAP-X3060OU. When Dynamic IP (DHCP) is selected, the other fields here will be grayed out. Please allow about 2 minutes for the DHCP client to be functional once this selection is made.

Captive Portal Authentication

Idle Timeout (1-1440) Minute(s)

Band

SSID Index

Authentication Type

Web Redirection Interface Settings

Web Redirection State

URL Path

IP Interface Settings

IPIF Status

VLAN Group

Get IP From

IP Address

Subnet Mask

Gateway

DNS

LDAP Settings

Server

Port

Authenticate Mode

Username

Password

Base DN (ou=,dc=)

Account Attribute (ex.cn)

Identity Auto Copy

Band	SSID Index	Captive Profile	Edit	Delete
------	------------	-----------------	------	--------

IP Address: Assign a static IP address that is within the IP address range of your network.

Subnet Mask: Enter the subnet mask. All devices in the network must share the same subnet mask.

Gateway: Enter the IP address of the gateway/router in your network.

DNS: Enter a DNS server IP address. This is usually the local IP address of your gateway/router.

Server: Enter the LDAP server's IP address or domain name here.

Port: Enter the LDAP server's port number here.

Authenticate Mode: Select the authentication mode here. Options to choose from are Simple and TLS.

Username: Enter the LDAP server account's username here.

Password: Enter the LDAP server account's password here.

Base DN: Enter the administrator's domain name here

Account Attribute: Enter the LDAP account attribute string here. This string will be used to search for clients.

Identity: Enter the identity's full path string here. Alternatively, select the Auto Copy checkbox to automatically add the generic full path of the web page in the identity field.

Edit: Click to edit the selected entry.

Delete: Click to delete the entry.

Save: Click to save the updated configuration. To make the updates permanent, click Configuration > **Save and Activate**.

Authentication Settings- POP3

The Captive Portal is a built-in web authentication server. When a station connects to an AP, the web browser will be redirected to a web authentication page. In this window, users can view and configure the Captive Portal settings. After selecting POP3 as the Authentication Type, you can configure the POP3 authentication that will be applied to each wireless client in this network.

Session timeout(1-1440): Enter the session timeout value here. This value can be from 1 to 1440 minutes. By default, this value is 60 minutes.

Band: Select 2.4GHz or 5GHz.

SSID Index: Select the SSID for this Authentication.

Authentication Type: Select the captive portal encryption type here. Options to choose from are Web Redirection, Username/Password, Passcode, Remote RADIUS, LDAP and POP3. In this section we'll discuss the POP3 option.

Web Redirection State: The default setting is Disable. Select Enable to enable the website redirection feature.

URL Path: Select whether to use either HTTP or HTTPS here. After selecting either http:// or https://, enter the URL of the website that will be used in the space provided.

IPIF Status: Select to Enable or Disable the Captive Portal with its IP interface feature here.

VLAN Group: Enter the VLAN Group ID here.

Band	SSID Index	Captive Profile	Edit	Delete
------	------------	-----------------	------	--------

Get IP From: Static IP (Manual) is chosen here. Choose this option if you do not have a DHCP server in your network, or if you wish to assign a static IP address to the DAP-X3060OU. When Dynamic IP (DHCP) is selected, the other fields here will be grayed out. Please allow about 2 minutes for the DHCP client to be functional once this selection is made.

IP Address: Assign a static IP address that is within the IP address range of your network.

Subnet Mask: Enter the subnet mask. All devices in the network must share the same subnet mask.

Gateway: Enter the IP address of the gateway/router in your network.

DNS: Enter a DNS server IP address. This is usually the local IP address of your gateway/router.

Server: Enter the POP3 server's IP address or domain name here.

Port: Port: Enter the POP server's port number here.

Connection Type: Select the connection type here. Options to choose from are None and SSL/TLS.

Edit: Click to edit the selected entry.

Delete: Click to delete the entry.

Save: Click to save the updated configuration. To make the updates permanent, click Configuration > **Save and Activate.**

Login Page Upload

In this window, users can upload a custom login web page that will be used by the captive portal feature. Click the **Browse** button to navigate to the login style located on the managing computer and then click the **Upload** button to initiate the upload.

Upload Login Style From Local Hard Drive: In this field the path to the login style file that will be uploaded is displayed. Alternatively, the path can be manually entered here.

Login Page Style List: Select the wireless band and login style that will be used in each SSID here. Click the download button to download the template file for the login page and click the delete button to delete the template file.

Save: Click to save the updated configuration. To make the updates permanent, click Configuration > **Save and Activate**.

ID	Style Name	Pri	S-1	S-2	S-3	S-4	S-5	S-6	S-7	Download	Del
1	pages_default.tar	<input checked="" type="radio"/>	<input type="radio"/>	<input type="radio"/>	<input type="radio"/>	<input type="radio"/>	<input type="radio"/>	<input type="radio"/>	<input type="radio"/>		
2	pages_headerpic.tar	<input type="radio"/>	<input type="radio"/>	<input type="radio"/>	<input type="radio"/>	<input type="radio"/>	<input type="radio"/>	<input type="radio"/>	<input type="radio"/>		
3	pages_license.tar	<input type="radio"/>	<input type="radio"/>	<input type="radio"/>	<input type="radio"/>	<input type="radio"/>	<input type="radio"/>	<input type="radio"/>	<input type="radio"/>		

MAC Bypass

The DAP-X3060OU features a wireless MAC Bypass. Once finished editing these settings, click the **Save** button to let the changes take effect.

Wireless Band: Select the wireless band for MAC Bypass.

SSID Index: Select the SSID for MAC Bypass.

MAC Address: Enter each MAC address that you wish to include in your bypass list, and click Add.

MAC Address List: When a MAC address is entered, it appears in this list.
Highlight a MAC address and click the Delete icon to remove it from this list.

Upload File: To upload a MAC bypass list file, click Browse and navigate to the MAC bypass list file saved on the computer, and then click Upload.

Load MAC File to Local Hard Driver: To download MAC bypass list file, click Download and save the MAC bypass list.

Save: Click to save the updated configuration. To make the updates permanent, click Configuration > **Save and Activate**.

The screenshot shows the 'MAC Bypass Settings' web interface. At the top, there are three configuration fields: 'Wireless Band' set to '2.4 GHz', 'SSID Index' set to 'Primary SSID', and 'MAC Address' with six empty input boxes and an 'Add' button below them. Below the fields is a table with three columns: 'ID', 'MAC Address', and 'Delete'. Under the table, there are two sections: 'Upload MAC File' with a file selection area showing 'Choose File', 'No file chosen', and an 'Upload' button; and 'Download MAC File' with a 'Load MAC File to Local Hard Driver' section containing a 'Download' button. A 'Save' button is positioned at the bottom right of the interface.

DHCP Server

Dynamic Pool Settings

The DHCP address pool defines the range of the IP address that can be assigned to stations in the network. A Dynamic Pool allows wireless stations to receive an available IP with lease time control. If needed or required in the network, the DAP-X3060OU is capable of acting as a DHCP server.

Function Enable/Disable: Dynamic Host Configuration Protocol (DHCP) assigns dynamic IP addresses to devices on the network. This protocol simplifies network management and allows new wireless devices to receive IP addresses automatically without the need to manually assign new IP addresses. Select Enable to allow the DAP-X3060OU to function as a DHCP server.

IP Assigned From:

Input the first IP address available for assignment on your network.

IP Pool Range(1-254):

Enter the number of IP addresses available for assignment. IP addresses are increments of the IP address specified in the "IP Assigned From" field.

Subnet Mask: All devices in the network must have the same subnet mask to communicate. Enter the subnet mask for the network here.

Gateway: Enter the IP address of the gateway on the network.

WINS: Specify the Windows Internet Naming Service (WINS) server address for the wireless network. WINS is a system that determines the IP address of a network computer that has a dynamically assigned IP address.

DNS: Enter the IP address of the Domain Name System (DNS) server. The DNS server translates domain names such as www.dlink.com into IP addresses.

Domain Name: Enter the domain name of the network, if applicable. (An example of a domain name is: www.dlink.com.)

Lease Time: The lease time is the period of time before the DHCP server will assign new IP addresses.

Save: Click to save the updated configuration. To make the updates permanent, click Configuration > **Save and Activate**.

Dynamic Pool Settings	
DHCP Server Control	
Function Enable/Disable	Disable ▾
Dynamic Pool Settings	
IP Assigned From	192.168.0.20
IP Pool Range(1-254)	235
Subnet Mask	255.255.255.0
Gateway	
WINS	
DNS	
Domain Name	dlink-ap
Lease Time (60 - 31536000 sec)	604800
Save	

Static Pool Setting

The DHCP address pool defines the range of IP addresses that can be assigned to stations on the network. A static pool allows specific wireless stations to receive a fixed IP without time control.

Function Enable/Disable: Dynamic Host Configuration Protocol (DHCP) assigns IP addresses to wireless devices on the network. This protocol simplifies network management and allows new wireless devices to receive IP addresses automatically without the need to manually assign IP addresses. Select Enable to allow the DAP-X3060OU to function as a DHCP server.

Assigned IP: Use the Static Pool Settings to assign the same IP address to a device every time you start up. The IP addresses assigned in the Static Pool list must NOT be in the same IP range as the Dynamic Pool. After you have assigned a static IP address to a device via its MAC address, click Apply; the device will appear in the Assigned Static Pool at the bottom of the screen. You can edit or delete the device in this list.

Assigned MAC Address: Enter the MAC address of the device requesting association here.

Subnet Mask: Define the subnet mask of the IP address specified in the "IP Assigned From" field.

Static Pool Settings

DHCP Server Control

Function Enable/Disable Disable ▾

Static Pool Setting

Host Name

Assigned IP

Assigned MAC Address

Subnet Mask

Gateway

WINS

DNS

Domain Name

Host Name	MAC Address	IP Address	Edit	Delete

Gateway: Specify the Gateway address for the wireless network.

WINS: Specify the Windows Internet Naming Service (WINS) server address for the wireless network. WINS is a system that determines the IP address of a network computer with a dynamically assigned IP address, if applicable.

DNS: Enter the DNS server address for your wireless network.

Domain Name: Specify the domain name for the network.

Save: Click to save the updated configuration. To make the updates permanent, click Configuration > **Save and Activate.**

Current IP Mapping List

This window displays information about the current assigned DHCP dynamic and static IP address pools. This information is available when you enable the DHCP server on the AP and assign dynamic and static IP address pools.

Current DHCP Dynamic Profile: These are IP address pools the DHCP server has assigned using the dynamic pool setting.

Binding MAC Address: The MAC address of a device on the network that is assigned an IP address from the DHCP dynamic pool.

Assigned IP Address: The current corresponding DHCP-assigned IP address of the device.

Lease Time: The length of time that the dynamic IP address will be valid.

Current DHCP Static Pools: These are the IP address pools of the DHCP server assigned through the static pool settings.

Binding MAC Address: The MAC address of a device on the network that is within the DHCP static IP address pool.

Assigned IP Address: The current corresponding DHCP-assigned static IP address of the device.

Binding MAC Address: The MAC address of a device on the network that is assigned an IP address from the DHCP dynamic pool.

Assigned IP Address: The current corresponding DHCP-assigned static IP address of the device.

Save: Click to save the updated configuration. To make the updates permanent, click Configuration > **Save and Activate**.

Current IP Mapping List			
Current DHCP Dynamic Pools			
Host Name	Binding MAC Address	Assigned IP Address	Lease Time
Current DHCP Static Pools			
Host Name	Binding MAC Address	Assigned IP Address	

Filters

Wireless MAC ACL

This page allows the user to configure Wireless MAC ACL settings for access control.

Wireless Band: Displays the current wireless band rate.

Access Control List: Select **Disable** to disable the filters function.

Select **Accept** to accept only those devices with MAC addresses in the Access Control List. All other devices not on the list will be rejected.

Select **Reject** to reject the devices with MAC addresses on the Access Control List. All other devices not on the list will be accepted.

SSID Index: Click the drop-down menu to select the SSID for the specified wireless band.

MAC Address: Enter each MAC address that you wish to include in your filter list, and click **Apply**.

MAC Address List: When you enter a MAC address, it appears in this list. Highlight a MAC address and click Delete to remove it from this list.

Current Client Information

Information: This table displays information about all the current connected stations.

Upload File: To upload an ACL list file, click Browse and navigate to the ACL list file saved on the computer, and then click Upload.

Load MAC File to Local

Hard Driver: To download the ACL list, click Download and to save the ACL list.

Save: Click to save the updated configuration. To make the updates permanent, click Configuration > **Save and Activate**.

The screenshot shows the 'Wireless MAC ACL Settings' page. At the top, it displays 'Wireless Band' set to '2.4 GHz' and 'Total : 512 Used : 0'. Below this, 'Access Control List' is set to 'Disable'. The 'SSID Index' is set to 'Primary SSID'. There are five input fields for 'MAC Address' separated by colons, with an 'Add' button below them. A table titled 'Current Client Information' has columns for 'ID', 'MAC Address', and 'Delete'. Below the table, there are sections for 'Upload ACL File' and 'Download ACL File'. The 'Upload ACL File' section has an 'Upload File' label, a 'Choose File' button (showing 'No file chosen'), and an 'Upload' button. The 'Download ACL File' section has a 'Load ACL File to Local Hard Driver' label and a 'Download' button. A 'Save' button is located at the bottom right of the form.

WLAN Partition

This page allows the user to configure a WLAN Partition.

Wireless Band: Displays the current wireless band.

Link Integrity: Select **Enable** or **Disable**. If the Ethernet connection between the LAN and the AP is disconnected, enabling this feature will cause the wireless segment associated with the AP to be disassociated from the AP.

Ethernet WLAN Access: The default is Enable. When disabled, all data from the Ethernet to associated wireless devices will be blocked. Wireless devices can still send data to the Ethernet.

Internal Station Connection: The default value is Enable, which allows stations to intercommunicate by connecting to a target AP. When disabled, wireless stations cannot exchange data on the same Multi-SSID. In Guest mode, wireless stations cannot exchange data with any station on your network.

Save: Click to save the updated configuration. To make the updates permanent, click Configuration > **Save and Activate**.

WLAN Partition			
Wireless Band	2.4 GHz ▼		
Link Integrity	Disable ▼		
Ethernet to WLAN Access	Enable ▼		
Internal Station Connection			
Primary SSID	<input checked="" type="radio"/> Enable	<input type="radio"/> Disable	<input type="radio"/> Guest Mode
Multi-SSID 1	<input type="radio"/> Enable	<input type="radio"/> Disable	<input type="radio"/> Guest Mode
Multi-SSID 2	<input type="radio"/> Enable	<input type="radio"/> Disable	<input type="radio"/> Guest Mode
Multi-SSID 3	<input type="radio"/> Enable	<input type="radio"/> Disable	<input type="radio"/> Guest Mode
Multi-SSID 4	<input type="radio"/> Enable	<input type="radio"/> Disable	<input type="radio"/> Guest Mode
Multi-SSID 5	<input type="radio"/> Enable	<input type="radio"/> Disable	<input type="radio"/> Guest Mode
Multi-SSID 6	<input type="radio"/> Enable	<input type="radio"/> Disable	<input type="radio"/> Guest Mode
Multi-SSID 7	<input type="radio"/> Enable	<input type="radio"/> Disable	<input type="radio"/> Guest Mode
Save			

IP Filter Settings

Enter the IP address or network address that will be used in the IP filter rule (e.g. an IP address like 192.168.70.66 or a network address like 192.168.70.0). This IP address or network will be inaccessible to wireless clients in this network.

Wireless Band: Click the drop-down menu to select the wireless band, 2.4GHz or 5GHz.

SSID Index: Click the drop-down menu to select the SSID for the IP filter.

Filter State: Click the drop-down menu to enable or disable the filter state. By default this feature is disabled.

IP Address: Enter the IP address or network address.

Subnet Mask: Enter the subnet mask of the IP address or networks address.

IP Address List: When an IP address is entered, it appears in the list. Highlight an IP address and click **Delete** icon to remove it from the list.

Upload IP Filter File: To upload the IP filter list file, click **Choose File** and navigate to the IP filter list file saved on the computer, and then click **Upload**.

Download IP Filter File: To download the IP Filter list file, click **Download** and to save the IP filter list.

Save: Click to save the updated configuration. To make the updates permanent, click Configuration > **Save and Activate**.

The screenshot shows the 'IP Filter Settings' configuration page. It includes several input fields and buttons:

- Wireless Band:** A dropdown menu set to '2.4 GHz'.
- SSID Index:** A dropdown menu set to 'Primary SSID'.
- Filter State:** A dropdown menu set to 'Disable'.
- IP Address:** An empty text input field.
- Subnet Mask:** An empty text input field.
- Add:** A button to add a new filter rule.

Below these fields is a table with the following columns: ID, IP Address, Subnet Mask, and Delete. The table is currently empty.

Under the table, there are two sections:

- Upload IP Filter File:** Includes a 'Choose File' button, a 'No file chosen' status, and an 'Upload' button.
- Download IP Filter File:** Includes a 'Download' button.

A 'Save' button is located at the bottom right of the page.

Traffic Control

Uplink/Downlink Setting

The uplink/downlink setting allows users to customize the downlink and uplink interfaces including specifying downlink/uplink bandwidth rates in Mbits per second. These values are also used in the QoS and Traffic Manager windows. Once the desired uplink and downlink settings are finished, click the **Save** button to let your changes take effect.

Downlink Bandwidth: The downlink bandwidth in Mbits per second.

Uplink Bandwidth: The uplink bandwidth in Mbits per second.

Click to save the updated configuration.

Save: To make the updates permanent, click Configuration > **Save and Activate**.

The screenshot shows a configuration window titled "Uplink and Downlink Settings". At the top, it says "Ethernet" with two radio buttons: "Downlink" (selected) and "Uplink". Below this are two tabs: "2.4 GHz" (selected) and "5 GHz". The window is divided into two main sections: "Downlink Interface" and "Uplink Interface". Each section contains a grid of checkboxes for "Primary-ssid" and "Multi-ssid1" through "Multi-ssid7". At the bottom, there are two input fields: "Downlink Bandwidth(1~1200)" with a value of "100" and "Uplink Bandwidth(1~1200)" with a value of "100", both labeled "Mbits/sec". A "Save" button is located in the bottom right corner.

QoS

Quality of Service (QoS) enhances the experience of using a network by prioritizing the traffic of different applications. The DAP-X3060OU supports four priority levels. Once the desired QoS settings are finished, click the **Save** button to let your changes take effect.

Enable QoS: Check this box to allow QoS to prioritize traffic. Use the drop-down menus to select the four levels of priority. Click the Save button when you are finished.

Downlink Bandwidth: The downlink bandwidth in Mbits per second. This value is entered in the Uplink/Downlink Setting window.

Uplink Bandwidth: The uplink bandwidth in Mbits per second. This value is entered in the Uplink/Downlink Setting window.

ACK/DHCP/ICMP/DNS Priority: Click the drop-down menu to select the level of priority for the selected rule.

Web Traffic Priority: Click the drop-down menu to select the level of priority for the selected rule.

FTP Traffic Priority: Click the drop-down menu to select the level of priority for the selected rule.

User Defined-1/2/3/4 Priority: Click the drop-down menu to select the level of priority for the selected rule.

Other Traffic Priority: Click the drop-down menu to select the level of priority for the selected rule.

Save: Click to save the updated configuration. To make the updates permanent, click Configuration > **Save and Activate**.

QoS						
Enable QoS	<input type="checkbox"/>					
Advanced QoS						
Downlink Bandwidth	100	Mbits/sec				
Uplink Bandwidth	100	Mbits/sec				
ACK/DHCP/ICMP/DNS Priority	Highest Priority	Limit	100	%	Port	53,67,68,546,547
Mail Traffic Priority	Second Priority	Limit	100	%	Port	25,110,465,995
Web Traffic Priority	Third Priority	Limit	100	%	Port	80,443,3128,8080
FTP Traffic Priority	Low Priority	Limit	100	%	Port	20,21
User Defined-1 Priority	Highest Priority	Limit	100	%	Port	0 - 0
User Defined-2 Priority	Second Priority	Limit	100	%	Port	0 - 0
User Defined-3 Priority	Third Priority	Limit	100	%	Port	0 - 0
User Defined-4 Priority	Low Priority	Limit	100	%	Port	0 - 0
Other Traffic Priority	Low Priority	Limit	100	%		
						Save

Traffic Manager

The traffic manager feature allows users to create traffic management rules that specify how to deal with listed client traffic and specify downlink/ uplink speeds for new traffic manager rules. Click the **Save** button to let your changes take effect.

Traffic Manager: Use the drop-down menu to **Enable** the traffic manager feature.

Unlisted Client Traffic: Select **Deny** or **Forward** to determine how to deal with unlisted client traffic.

Downlink Bandwidth: The downlink bandwidth in Mbits per second. This value is entered in the Uplink/Downlink Setting window.

Uplink Bandwidth: The uplink bandwidth in Mbits per second. This value is entered in the Uplink/Downlink Setting window.

Name: Enter the name of the traffic manager rule.

Client IP (optional): Enter the client IP address of the traffic manager rule.

Client MAC (optional): Enter the client MAC address of the traffic manager rule.

Downlink Speed: Enter the downlink speed in Mbits per second.

Uplink Speed: Enter the uplink speed in Mbits per second.

Save: Click to save the updated configuration. To make the updates permanent, click Configuration > **Save and Activate**.

Traffic Manager

Traffic Manager: ▾

Unlisted Clients Traffic: Deny Forward

Downlink Bandwidth: Mbits/sec

Uplink Bandwidth: Mbits/sec

Add Traffic Manager

Name:

Client IP (Optional):

Client MAC (Optional):

Downlink Speed: Mbits/sec

Uplink Speed: Mbits/sec

Traffic Manager Rules

Name	Client IP	Client MAC	Downlink Speed	Uplink Speed	Edit	Delete

Status

In the Status Section the user can monitor and view the configuration settings of the access point. Here the user can also view statistics about client information, WDS information and more. The following pages will explain settings found in the Status section in more detail.

The screenshot displays the D-Link web interface for the DAP-X3060OU. The top navigation bar includes Home, Maintenance, Configuration, System, Logout, and Help. The left sidebar shows a tree view with Status selected, containing sub-items like Device Information, Client Information, WDS Information, Channel Analyze, Statistics, and Log.

The main content area is titled "Device Information" and contains the following data:

Device Information	
Firmware Version: v1.00	
Ethernet MAC Address	20:18:62:22:02:00
Wireless MAC Address(2.4GHz)	Primary: 20:18:62:22:02:00 SSID 1~7: 20:18:62:22:02:01 ~ 20:18:62:22:02:07
Wireless MAC Address(5GHz)	Primary: 20:18:62:22:02:08 SSID 1~7: 20:18:62:22:02:09 ~ 20:18:62:22:02:0f
Ethernet	
IP Address	192.168.0.102
Subnet Mask	255.255.255.0
Gateway	192.168.0.1
DNS	192.168.0.1 192.168.0.1
Wireless (2.4GHz)	
Network Name (SSID)	dlink
Channel	1
Data Rate	Auto
Security	None
Wireless (5GHz)	
Network Name (SSID)	dlink
Channel	100
Data Rate	Auto
Security	None
Device Status	
CPU Utilization	7%
Memory Utilization	57%
NuLiAs Connect	
Connection Status	Disconnect
Server IP/PORT	
Group ID	

Device Information

This page displays information like firmware version, Ethernet and wireless parameters, as well as the information regarding CPU and memory utilization.

Device Information: This read-only window displays the configuration settings of the DAP-X3060OU, including the firmware version and the device's MAC address.

Device Information	
Firmware Version: v1.00	
Ethernet MAC Address	3c:33:32:9b:f7:10
Wireless MAC Address(2.4GHz)	Primary: 3c:33:32:9b:f7:10 SSID 1~7: 3c:33:32:9b:f7:11 ~ 3c:33:32:9b:f7:17
Wireless MAC Address(5GHz)	Primary: 3c:33:32:9b:f7:18 SSID 1~7: 3c:33:32:9b:f7:19 ~ 3c:33:32:9b:f7:1f
Ethernet	
IP Address	192.168.0.100
Subnet Mask	255.255.255.0
Gateway	192.168.0.1
DNS	192.168.0.1 192.168.0.1
Wireless (2.4GHz)	
Network Name (SSID)	dlink
Channel	11
Data Rate	Auto
Security	None
Wireless (5GHz)	
Network Name (SSID)	dlink
Channel	36
Data Rate	Auto
Security	None
Device Status	
CPU Utilization	4%
Memory Utilization	56%
Nuclias Connect	
Connection Status	Disconnect
Server IP/PORT	
Group ID	

Client Information

This page displays the associated client's SSID, MAC, band, authentication method, signal strength, and power saving mode for the DAP-X3060OU network.

Client Information: This window displays the wireless client information for clients currently connected to the DAP-X3060OU.

SSID: Displays the SSID of the client.

MAC: Displays the MAC address of the client.

Band: Displays the wireless band that the client is connected to.

Authentication: Displays the type of authentication being used.

RSSI: Displays the client's signal strength.

Power Saving Mode: Displays the status of the power-saving feature.

System Info: Displays the associated clients' OS information for the network.

Client Information						
Client Information		Station association (2.4GHz): 0				
SSID	MAC	Band	Authentication	RSSI	Power Saving Mode	System Info
Client Information		Station association (5GHz): 0				
SSID	MAC	Band	Authentication	RSSI	Power Saving Mode	System Info

WDS Information Page

This page displays the access point's SSID, MAC, band, authentication method, signal strength, and status for the DAP-X3060OU's Wireless Distribution System network.

WDS Information: This window displays the Wireless Distribution System information for clients currently connected to the DAP-X3060OU.

Name: Displays the SSID of the client.

MAC: Displays the MAC address of the client.

Authentication: Displays the type of authentication being used.

Signal: Displays the client's signal strength.

Status: Displays the status of the WDS link.

WDS Information				
WDS Information		Channel: 11 (2.462 GHz)		
Name	MAC	Authentication	Signal	Status
WDS Information		Channel: 149 (5.745 GHz)		
Name	MAC	Authentication	Signal	Status

Channel Analyze

Wireless Band: Select either 2.4Ghz or 5GHz.

Detect: Click the Detect button to scan.

AP List: This will list the transmitting channels and quality.

The screenshot displays the 'Channel Analyze' configuration page. At the top, there is a title bar 'Channel Analyze'. Below it, the 'Wireless Band' is set to '2.4GHz' via a dropdown menu. A 'Detect' button is positioned below the dropdown. Underneath, there is a section for 'Wireless Summary' which includes an 'AP List' table. The table has a dark header with the following columns: 'CH', 'AP Num', 'MRssi(%)', 'ARssi(%)', and 'Evaluation'. The table body is currently empty.

CH	AP Num	MRssi(%)	ARssi(%)	Evaluation
----	--------	----------	----------	------------

Statistics

Ethernet Traffic Statistics

Displays wired interface network traffic information.

Ethernet Traffic Statistics: This page displays transmitted and received count statistics for packets and bytes.

Ethernet Traffic Statistics	
<input type="button" value="Clear"/> <input type="button" value="Refresh"/>	
Transmitted Count	
Transmitted Packet Count	11,899
Transmitted Bytes Count	4,202,475
Dropped Packet Count	0
Received Count	
Received Packet Count	36,057
Received Bytes Count	10,852,705
Dropped Packet Count	0

WLAN Traffic Statistics

Displays throughput, transmitted frame, received frame, and error information for the AP network.

WLAN Traffic Statistics: This page displays wireless network statistics for data throughput, transmitted and received frames, and frame errors.

WLAN Traffic Statistics		
	<input type="button" value="Clear"/>	<input type="button" value="Refresh"/>
	2.4GHz	5GHz
Transmitted Count		
Transmitted Packet Count	0	0
Transmitted Bytes Count	0	0
Dropped Packet Count	0	0
Transmitted Retry Count	0	0
Received Count		
Received Packet Count	0	0
Received Bytes Count	0	0
Dropped Packet Count	0	0
Received CRC Count	0	0
Received Decryption Error Count	0	0
Received MIC Error Count	0	0
Received PHY Error Count	899,266	1,895,467

Log

View Log

The AP's embedded memory holds logs here. The log information includes but is not limited to the following items: cold start AP, upgrading firmware, client association with APs, and web login. The web page holds up to 500 logs.

View Log: The AP's embedded memory displays system and network messages including a time stamp and message type. The log information includes but is not limited to the following items: cold start AP, upgrading firmware, client association with APs, and web login. The web page holds up to 500 logs.

View Log		
First Page	Last Page	Previous Next Clear
Page 1 of 3		
Time	Priority	Message
Aug 20 18:06:25	[SYSACT]	Web login success from 192.168.0.102 with HTTP
Aug 20 18:05:55	[SYSACT]	Web logout from 192.168.0.102 with HTTP
Aug 20 18:02:49	[SYSACT]	Web login success from 192.168.0.102 with HTTP
Aug 20 17:54:10	[SYSACT]	Web logout from 192.168.0.102 with HTTP
Aug 20 17:51:00	[SYSACT]	Web login success from 192.168.0.102 with HTTP
Aug 20 17:50:21	[SYSACT]	Web logout from 192.168.0.102 with HTTP
Aug 20 17:47:20	[SYSACT]	Web login success from 192.168.0.102 with HTTP
Aug 20 17:15:41	[SYSACT]	Web logout from 192.168.0.102 with HTTP
Aug 20 17:12:43	[SYSACT]	Web login success from 192.168.0.102 with HTTP
Aug 20 17:11:27	[SYSACT]	Web logout from 192.168.0.102 with HTTP
Aug 20 17:08:24	[SYSACT]	Web login success from 192.168.0.102 with HTTP
Aug 20 17:08:23	[SYSACT]	Web logout from 192.168.0.102 with HTTP
Aug 20 17:07:08	[SYSACT]	Web logout from 192.168.0.102 with HTTP
Aug 20 17:04:33	[SYSACT]	Web login success from 192.168.0.102 with HTTP
Aug 20 17:03:43	[SYSACT]	Web login success from 192.168.0.102 with HTTP
Aug 20 16:58:55	[SYSACT]	Web logout from 192.168.0.102 with HTTP
Aug 20 16:54:38	[SYSACT]	Web login success from 192.168.0.102 with HTTP
Aug 20 16:50:10	[SYSACT]	Web login failure from 192.168.0.102 with HTTP
Aug 20 16:49:40	[SYSACT]	Web login failure from 192.168.0.102 with HTTP
Aug 20 16:41:32	[SYSACT]	Web logout from 192.168.0.102 with HTTP

Log Settings

Enter the log server's IP address to send the log to that server. Check or uncheck System Activity, Wireless Activity, or Notice to specify what kind of log type you want it to log.

Log Server/IP Address: Enter the IP address of the server you would like to send the DAP-X3060OU log to.

Log Type: Check the box for the type of activity you want to log. There are three types: System Activity, Wireless Activity, and Notice.

EU directive Syslog Server Settings: Enter the IP address of the syslog server you would like to send the DAP-X3060OU log to.

E-mail Notification: Support Simple Mail Transfer Protocol for log schedule and periodical change key. It can not support Gmail SMTP port 465. Please set to Gmail SMTP port 25 or 587.

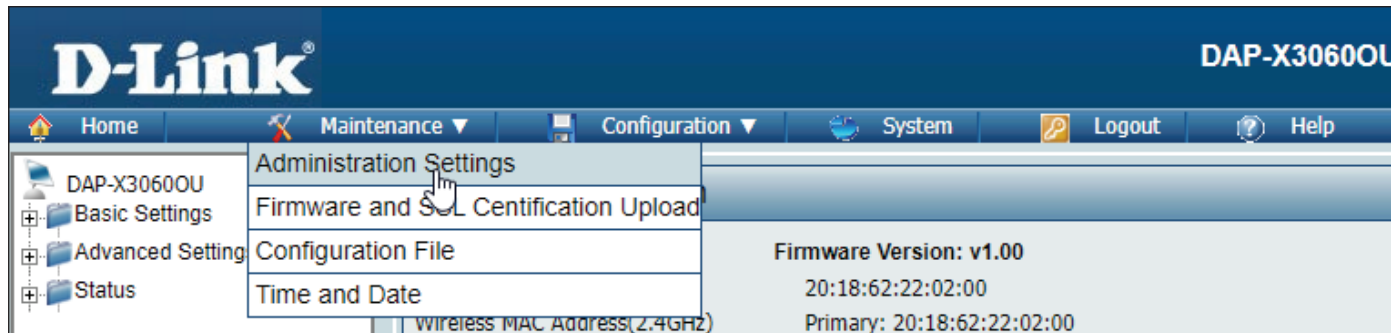
The screenshot shows the 'Log Settings' configuration interface. It is organized into four main sections:

- Log Settings:** Contains a text input for 'Log Server / IP Address' and three checked checkboxes for 'System Activity', 'Wireless Activity', and 'Notice'.
- External captive portal syslog server settings:** Contains a text input for 'Log Server / IP Address'.
- Email Notification:** Contains several options: 'Email Notification' (unchecked), 'Outgoing mail server (SMTP)' (dropdown set to 'Internal'), 'Authentication' (unchecked), and 'SSL/TLS' (unchecked). Below these are text inputs for 'From Email Address', 'To Email Address', 'Email Server Address', 'SMTP Port', 'User Name', 'Password', and 'Confirm Password'.
- Email Log Schedule:** Contains a dropdown menu for 'Schedule' set to '0' and the text 'hours or when Log is full'. A 'Save' button is positioned at the bottom right of the form.

- Outgoing Mail Server (SMTP):** Click the drop-down menu to select the SMTP server type; options include: Internal, Gmail, Hotmail.
- Authentication:** Check the box to enable the authentication of the email notification.
- SSL/TLS:** Check the box to enable the SSL/TLS function.
- From Email Address:** Enter the email address.
- To Email Address:** Enter the email address.
- Email Server Address:** Enter the email server address.
- SMTP Port:** Enter the SMTP port.
- User Name:** Enter the name of the new user entry.
- Password:** Enter the password set for the email notification.
- Confirm Password:** Retype the password entry to confirm the password.
- E-mail Log Schedule:** Use the drop-down menu to set the email log schedule.
- Save:** Click to save the updated configuration. To make the updates permanent, click Configuration > **Save and Activate**.

Maintenance Section

In the Status Section the user can monitor and view configuration settings of the access point. Here the user can also view statistics about client information, WDS information and more. The following pages will explain settings found in the maintenance section in more detail.



Administration

Limit Administrator

Check one or more of the eight main categories to display the various hidden administrator parameters and settings displayed on the next five pages. Each of the eight main categories display various hidden administrator parameters and settings.

Limit Administrator VLAN ID: Check the box provided and the ID: enter the specific VLAN ID that the administrator will be allowed to log in from.

Limit Administrator IP: Check to enable the Limit Administrator IP address.

IP Range: Enter the IP address range that the administrator will be allowed to log in from and then click the Add button.

The screenshot shows the 'Administration Settings' interface. The 'Limit Administrator' section is active, indicated by a checkmark. It contains the following fields and controls:

- Limit Administrator VLAN ID:** A checkbox labeled 'Enable' is checked, followed by a text input field containing the number '1'.
- Limit Administrator IP:** A checkbox labeled 'Enable' is unchecked.
- IP Range:** Two text input fields labeled 'From' and 'To' are present, with an 'Add' button below them.

Below these fields is a table with the following columns: Item, From, To, and Delete. The table lists several settings categories, each with a small square icon to its right:

Item	From	To	Delete
System Name Settings			
Login Settings			
Console Settings			
Ping Control Setting			
LED Settings			
DDP Control Setting			
Country Settings			
Nuclias Connect Setting			

A 'Save' button is located at the bottom right of the form.

System Name Settings

Each of the eight main categories display various hidden administrator parameters and settings.

System Name: The name of the device. The default name is dapx3060.

Location: The physical location of the device, e.g. 72nd Floor, D-Link HQ.

MDNS Name : The MDNS name of the device. The default MDNS name is dapx3060.

Login Settings

Each of the eight main categories display various hidden administrator parameters and settings.

Login Name: Enter a user name. The default is **admin**.

New Password: When changing your password, enter the new password here. The password is case-sensitive. "A" is a different character than "a." The length should be between 8 and 30 characters.

Confirm Password: Enter the new password a second time for confirmation purposes.

Console Settings

Each of the eight main categories display various hidden administrator parameters and settings.

Status: Status is enabled by default. Uncheck the box to disable the console.

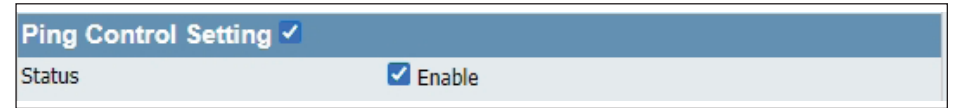
Console Protocol: Select the type of protocol you would like to use, Telnet or SSH.

Time-out: Set to 1 Min, 3 Mins, 5 Mins, 10 Mins, 15 Mins or Never.

Ping Control Setting

Each of the eight main categories display various hidden administrator parameters and settings.

Status: Status is enabled by default. Uncheck the box to disable ping control.

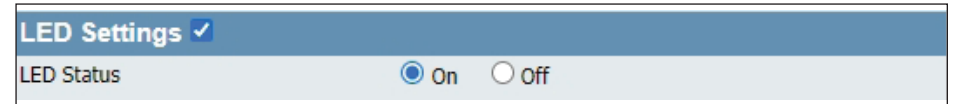


The screenshot shows a configuration panel for 'Ping Control Setting'. The title bar is blue with a white checkmark. Below the title bar, the text 'Ping Control Setting' is followed by a white checkmark. Underneath, the label 'Status' is followed by a checked checkbox and the word 'Enable'.

LED Settings

Each of the eight main categories display various hidden administrator parameters and settings

LED Status: Select the LED on/off you would like to use.

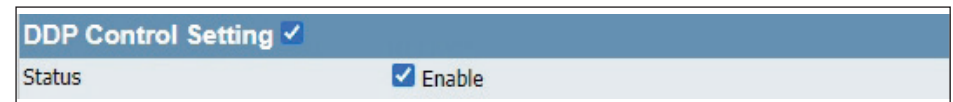


The screenshot shows a configuration panel for 'LED Settings'. The title bar is blue with a white checkmark. Below the title bar, the text 'LED Settings' is followed by a white checkmark. Underneath, the label 'LED Status' is followed by two radio buttons: 'On' (which is selected) and 'Off'.

DDP Setting

Each of the eight main categories display various hidden administrator parameters and settings.

Status is enabled by default. Uncheck the box to disable DDP control.



The screenshot shows a configuration panel for 'DDP Control Setting'. The title bar is blue with a white checkmark. Below the title bar, the text 'DDP Control Setting' is followed by a white checkmark. Underneath, the label 'Status' is followed by a checked checkbox and the word 'Enable'.

Country Setting

Select a Country: Choose from drop down list country where device is located.

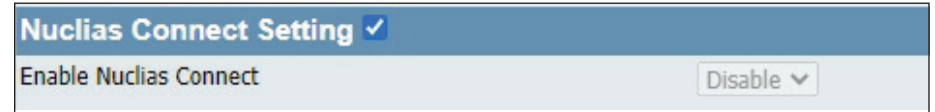


The screenshot shows a configuration panel for 'Country Settings'. The title bar is blue with a white checkmark. Below the title bar, the text 'Country Settings' is followed by a white checkmark. Underneath, the label 'Select a Country' is followed by a dropdown menu showing 'United Kingdom' with a downward arrow.

Nuclias Connect Settings

The Nuclias Connect section is used to create a set of APs on the Internet to be organized into a single group in order to increase ease of management.

Enable Nuclias Connect: Click the drop-down menu to enable or disable Nuclias Connect.



Note: To save the new configuration settings to the firmware, click **Configuration > Save and Activate**, otherwise click **Discard Changes** to delete any setting change.

Firmware and SSL Upload

This page allows the user to perform a firmware upgrade. This upgrades the software running on the hardware used by the access point. This is a useful feature that prevents future bugs and allows for new features to be added to this product. Please go to your local D-Link website to see if there is a newer version firmware available.

Firmware and SSL Certification Upload: You can upload files to the access point.

Upload Firmware from Local Hard Drive: The current firmware version is displayed above the file location field. After the latest firmware is downloaded, click on the "Choose File" button to locate the new firmware. Once the file is selected, click on the "Open" and "Upload" buttons to begin updating the firmware. Please don't turn the power off while upgrading.

Language Pack Upgrade : After you have downloaded a language pack to your local drive, click "Choose File." Select the language pack and click "Open" and "Upload" to complete the upgrade.

Upload SSL Certification from Local Hard Drive: After you have downloaded a SSL certification to your local drive, click "Choose File." Select the certification and click "Open" and "Upload" to complete the upgrade.

The screenshot shows a web interface for uploading firmware and SSL certificates. The title is "Firmware and SSL Certification Upload". It is divided into three sections:

- Update Firmware From Local Hard Drive:** Shows "Firmware Version v1.00" and a row with "Upload Firmware From File :", a "Choose File" button (displaying "No file chosen"), and an "Upload" button.
- Language Pack Upgrade:** Shows a row with "Upload :", a "Choose File" button (displaying "No file chosen"), and an "Upload" button.
- Update SSL Certification From Local Hard Drive:** Shows two rows: "Upload Certificate From File :" with a "Choose File" button (displaying "No file chosen") and an "Upload" button; and "Upload Key From File :" with a "Choose File" button (displaying "No file chosen") and an "Upload" button.

Configuration File Upload

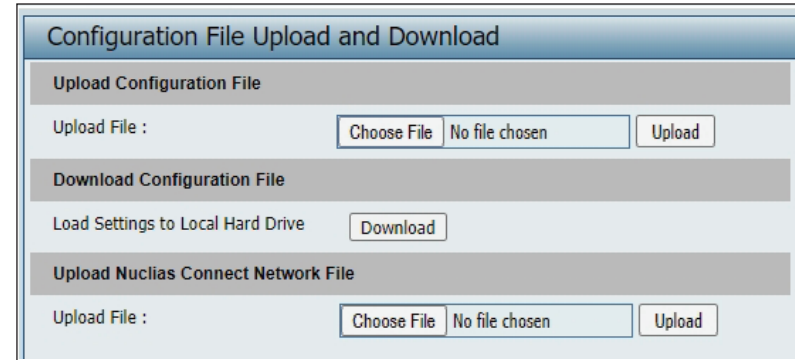
This page allows the user to back up and recover the current configuration of the access point in case of a unit failure.

Configuration File Upload and Download: You can upload and download configuration files of the access point.

Upload Configuration File: Browse to the saved configuration file you have in your local drive and click "Open" and "Upload" to update the configuration.

Download Configuration File: Click "Download" to save the current configuration file to your local disk.

Upload Nuclias Connect Network File: Browse to the saved Nuclias Connect Network file you have in your local drive and click "Open" and "Upload" to upload the Nuclias Connect Network file .



The screenshot shows a web interface titled "Configuration File Upload and Download". It is divided into three main sections:

- Upload Configuration File:** This section contains a label "Upload File :" followed by a file selection button labeled "Choose File" (which displays "No file chosen") and an "Upload" button.
- Download Configuration File:** This section contains a label "Load Settings to Local Hard Drive" followed by a "Download" button.
- Upload Nuclias Connect Network File:** This section contains a label "Upload File :" followed by a file selection button labeled "Choose File" (which displays "No file chosen") and an "Upload" button.

Time and Date Settings

Enter the NTP server IP, choose the time zone, and enable or disable daylight saving time.

Current Time: Displays the current time and date settings.

Enable NTP Server: Check to enable the AP to get system time from an NTP server from the Internet.

NTP Server: Enter the NTP server IP address.

Time Zone: Use the drop-down menu to select your correct Time Zone.

Enable Daylight Saving: Check the box to enable Daylight Saving Time.

Set the Date and Time Manually: A user can either manually set the time for the AP here, or click the Copy Your Computer's Time Settings button to copy the time from the computer in use (Make sure that the computer's time is set correctly).

Time and Date Settings

Time Configuration
Current Time 08/23/2021 18:06:24

Automatic Time Configuration
Enable NTP
NTP Server
Time Zone (GMT+08:00) Kuala Lumpur, Singapore

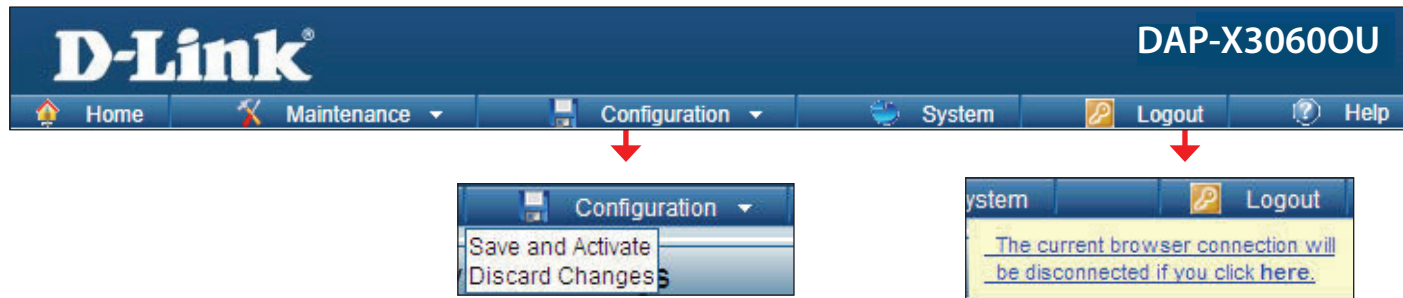
Set the Date and Time Manually
Date And Time Year 2021 Month Aug Day 23
Hour 18 Minute 6 Second 25
Copy your computer's Time Settings

Daylight Configuration
Enable Daylight Saving
Daylight Saving Offset 15
Daylight Saving Dates
DST Start Month Week Day Hour Minute
DST End Month Week Day Hour Minute

Save

Configuration and System

These are the remaining options to choose from in the top menu. **Configuration** allows the user to save and activate or discard the configurations. **System** allows the user to restart the unit, perform a factory reset or clear the language pack settings. **Logout** allows the user to safely log out from the access point's web configuration. **Help** allows the user to read more about the given options to configure without the need to consult the manual. The following pages will explain settings found in the configuration and system section in more detail.



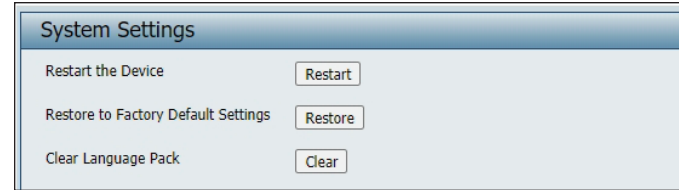
System Settings

On this page the user can restart the unit, perform a factory reset of the access point or clear the added language pack.

Restart the Device: Click Restart to restart the DAP-X3060OU.

Restore to Factory Default Settings: Click Restore to restore the DAP-X3060OU back to factory default settings.

Clear Language Pack: Click to clear the current language pack.



Help

The help page is useful to view a brief description of a function available on the access point in case the manual is not present.

Help: Scroll down the Help page for topics and explanations.

Basic Settings
Wireless Change the wireless settings on the device for an existing network or create a new network.
Wireless Band This is the operating frequency band. This Access Point (AP), operates within 2 bands, 2.4GHz and 5GHz. 2.4GHz works best with legacy devices and suitable for longer ranges. Select 5GHz for least interference and better performance.
Mode Select between Access Point, Wireless Distribution System (WDS) with AP, WDS and Wireless Client mode.
Network Name/Service Set Identifier (SSID) The SSID factory default is "dlink". Change the SSID to connect to existing wireless networks or establish a new wireless network.
SSID Visibility The SSID Visibility signal is enabled by default. Select Disable to make the Access Point invisible to all client devices.
Auto Channel Selection Enabled by default, when the device boots up, to automatically search for the best available channel.
Channel Auto Channel Selection is set as default. Settings for the channel can be configured to work with existing wireless networks or customized a new wireless network.
Channel Width Setup the Channel bandwidths. Use 20MHz and Auto 20/40MHz for 802.11n and non-802.11n wireless devices. Connect Mixed 802.11b/g/n for 2.4GHz and Mixed 802.11a/n for 5GHz. Configure Auto 20/40/80 MHz for 802.11ac and non 802.11ac wireless devices, and Mixed 802.11ac for 5GHz. When using Auto 20/40 MHz channel settings data can be transmitted using 40MHz and when using Auto 20/40/80MHz data can be transmitted using 80MHz.
Authentication Open System is the default authentication mode. Choose Data Encryption Mode to enable encryption.
Open System All devices are allowed to access the Access Point.
Shared Key Users must use the same WEP Share Key to access the Access Point on this network.

Technical Specifications

Standards

- IEEE 802.11ax
- IEEE 802.11ac
- IEEE 802.11n
- IEEE 802.11g
- IEEE 802.11a
- IEEE 802.3
- IEEE 802.3u
- IEEE 802.3ab
- IEEE 802.3at
- IEEE 802.3x

Network Management

- Web Browser interface (HTTP, Secure HTTP (HTTPS))
- NuLias Connect

Security

- WPA™ Personal/Enterprise
- WPA2™ Personal/Enterprise
- WPA3™ Personal/Enterprise
- WEP™ 64-/128-bit

Wireless Frequency Range

- 2.4 to 2.4835 GHz and 5.15 to 5.85 GHz

Operating Voltage

- 802.3at PoE

Antenna Type

- Four Internal Antennas (2.4Ghz 5dBi & 5Ghz 7.9dBi)

LEDs

- Power/Status

Temperature

- Operating: -30 to 60 °C (-22 to 140 °F)
- Storing: -30 to 65 °C (-22 to 149 °F)

Humidity

- Operating: 10%~90% (non-condensing)
- Storing: 5%~95% (non-condensing)

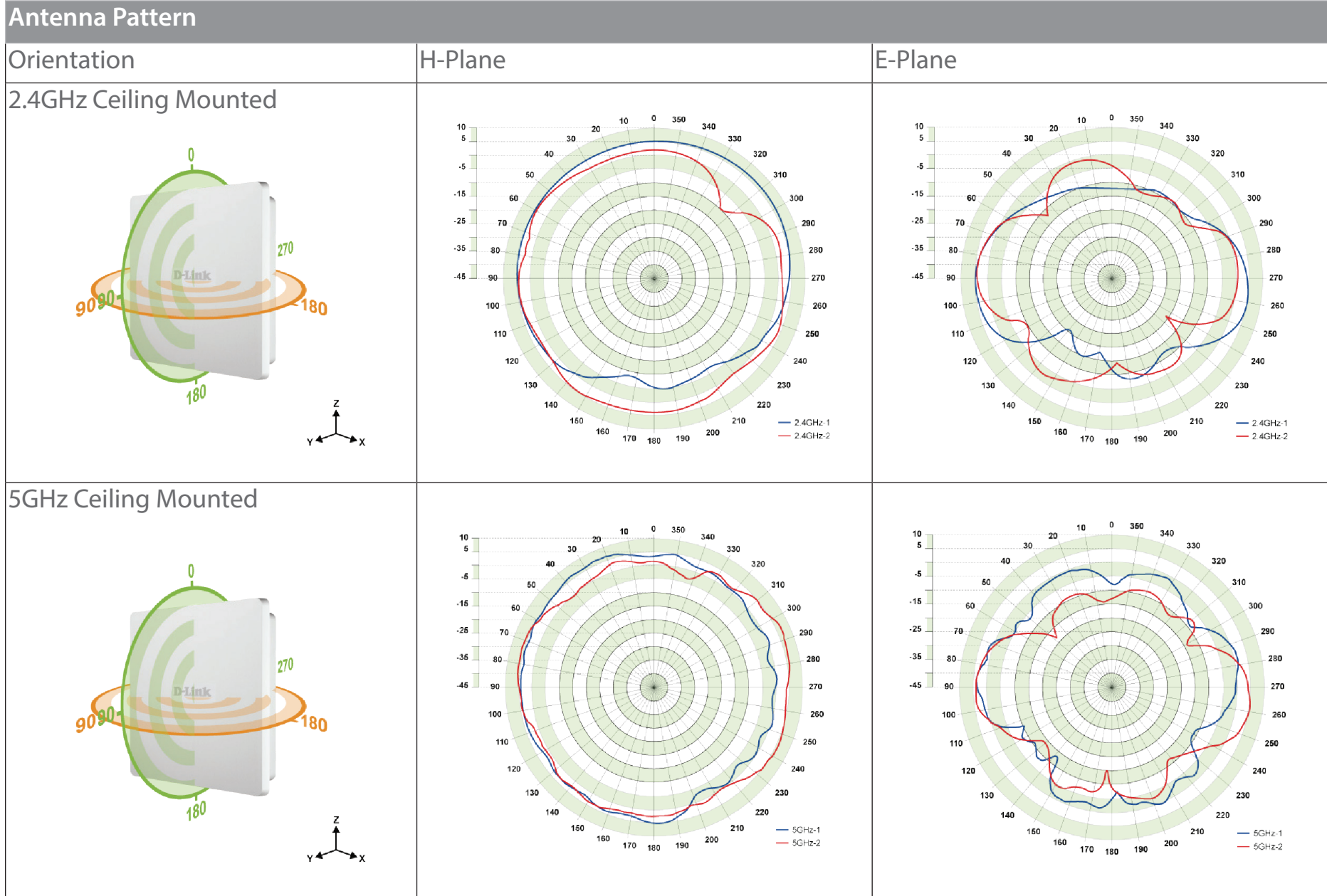
Certifications

- CE
- FCC
- UL
- IP68
- EN60601-1-2

Dimensions

- L = 277 mm
- W = 240mm
- H = 50 mm

Antenna Pattern



Regulatory Statements

Federal Communication Commission Interference Statement

This device complies with Part 15 of the FCC Rules. Operation is subject to the following two conditions: (1) This device may not cause harmful interference, and (2) this device must accept any interference received, including interference that may cause undesired operation.

This equipment has been tested and found to comply with the limits for a Class B digital device, pursuant to Part 15 of the FCC Rules. These limits are designed to provide reasonable protection against harmful interference in a residential installation. This equipment generates, uses and can radiate radio frequency energy and, if not installed and used in accordance with the instructions, may cause harmful interference to radio communications. However, there is no guarantee that interference will not occur in a particular installation. If this equipment does cause harmful interference to radio or television reception, which can be determined by turning the equipment off and on, the user is encouraged to try to correct the interference by one of the following measures:

- Reorient or relocate the receiving antenna.
- Increase the separation between the equipment and receiver.
- Connect the equipment into an outlet on a circuit different from that to which the receiver is connected.
- Consult the dealer or an experienced radio/TV technician for help.

FCC Caution:

- Any changes or modifications not expressly approved by the party responsible for compliance could void the user's authority to operate this equipment.
- This transmitter must not be co-located or operating in conjunction with any other antenna or transmitter.

Radiation Exposure Statement:

This equipment complies with FCC radiation exposure limits set forth for an uncontrolled environment. This equipment should be installed and operated with minimum distance 20cm between the radiator & your body.

Note: The country code selection is for non-US model only and is not available to all US model. Per FCC regulation, all WiFi product marketed in US must fixed to US operation channels only.

To find out more about D-Link Nuclias product or marketing information, please visit the website <http://www.dlink.com> or <https://www.nuclias.com>.

The D-Link Limited Lifetime Warranty information is available at <http://www.dlink.com/warranty>

1. Instructions for the installation of that conductor to building earth by a SKILLED PERSON.
2. SPEC: Green-and-yellow wire: Min. 20 AWG
3. The ground of this equipment will be connected to the ground of the front-end power supply, and the ground of the front-end power supply will be connected to the ground.

CE Warning

RED Compliance Statement

Compliance with 2014/53/EU Radio Equipment Directive (RED)

In accordance with Article 10.8(a) and 10.8(b) of the RED, the following table provides information on the frequency bands used and the maximum RF transmit power of the product for sale in the EU:

Frequency range (MHz)	Max. transmit power (dBm)
2412-2472	19.97dBm (EIRP)
5500-5700	29.58dBm (EIRP)

This equipment should be installed and operated with a minimum distance of 20 centimeters between the radiator and your body.
operated with minimum distance 0.2 m between the radiator and your body.

NCC 警語:

- * 取得審驗 證明之低功率射頻器材，非經核准，公司、商號或使用者均不得擅自變更頻率、加大功率或變更原設計之特性及功能。低功率射頻器材之使用不得影響飛航安全及干擾合法通信；經發現有干擾現象時，應立即停用，並改善至無干擾時方得繼續使用。前述合法通信，指依電信管理法規定作業之無線電通信。低功率射頻器材須忍受合法通信或工業、科學及醫療用電波輻射性電機設備之干擾。
- * 應避免影響附近雷達系統之操作。
- * 高增益指向性天線只得應用於固定式點對點系統。
- * 本器材須經專業工程人員安裝及設定，始得設置使用，且不得直接販售給一般消費者。

Power Usage

This device is an Energy Related Product (ErP) with High Network Availability (HiNA), and automatically switches to a power-saving Network Standby mode within 1 minute of no packets being transmitted.

Network Standby: 6.6 watts