



3 Megapixel Resolution

Full HD-1080P high resolution images ensure that you capture the details that you need

Wide Dynamic Range

Wide Dynamic Range technology neutralizes imperfect lighting, providing clear images with the right amount of contrast even when a subject is backlit

High-Quality Video Feeds

Real-time video compression with H.264, MPEG-4, and MJPEG codecs

Features:

- Sony Exmor 1/2.8" 3 Megapixel CMOS progressive sensor
- Real-time H.264, MPEG-4, and Motion JPEG compression
- Full HD resolution (1920x1080) up to 3M (2048x1536)
- DC iris varifocal 3.1 mm (W) to 8 mm (T) F1.2 CS mount lens
- Built-in removable IR-cut filter for day/night surveillance
- WDR to handle strong light sources
- Simultaneous multi-stream support
- ePTZ
- Supports multiple access list
- Privacy Mask feature
- SD Card slot
- 2-way audio support
- 2 alarm inputs / 1 alarm output
- Power over Ethernet (PoE)
- 3GPP mobile surveillance
- Built-in Samba client for NAS
- ONVIF compliant

Full HD Day & Night WDR Network Camera



High Resolution Surveillance

The D-Link DCS-3716 is a high-end Full HD Day & Night WDR Network Camera, equipped with a 1/2.8" 3 Megapixel WDR Progressive Scan CMOS sensor and a 3.1-8.0 mm DC auto iris lens. The DCS-3716 captures video in both dark and light environments, or even subjects shot against a backlight by neutralizing imperfect lighting and generating a realistic image. In addition, the removable IR-cut filter for day/night functionality provides clear detail and high quality video at any hour of the day. The DCS-3716 incorporates Power over Ethernet (PoE) and an SD card slot, allowing it to be easily installed in a variety of locations.

Multiple Video Streams

The DCS-3716 supports simultaneous streaming of H.264, MPEG-4, and MJPEG video to provide both high-quality and bandwidth-efficient compression formats. MJPEG delivers excellent file integrity, ideal for situations which require high image detail. H.264 and MPEG-4 produce a small file size, useful for extended recording or for use in low-bandwidth networks. Additionally, the DCS-3716 supports multicast H.264 MPEG-4 streaming, allowing users to view the camera feed by subscribing to a multicast IP address on the network.

Flexible Connectivity

The DCS-3716 includes input and output ports allowing connectivity to external devices such as IR sensors, switches, and alarm relays. It also comes with an RS-485 interface, providing connectivity to an optional pan/tilt enclosure which effectively adds pan/tilt functionality to the DCS-3716. An additional 12 V interface provides power for an optional LED illuminator.

Wide Dynamic Range (WDR) Applications

The Wide Dynamic Range (WDR) function provides clear images even under backlit conditions where the intensity of illumination can vary significantly, making the DCS-3716 perfect for extreme high-contrast environments. For example, when placed indoors, the DCS-3716 will adjust itself to the intense sunlight that may be streaming in through a nearby window. This makes it an ideal solution for security applications.





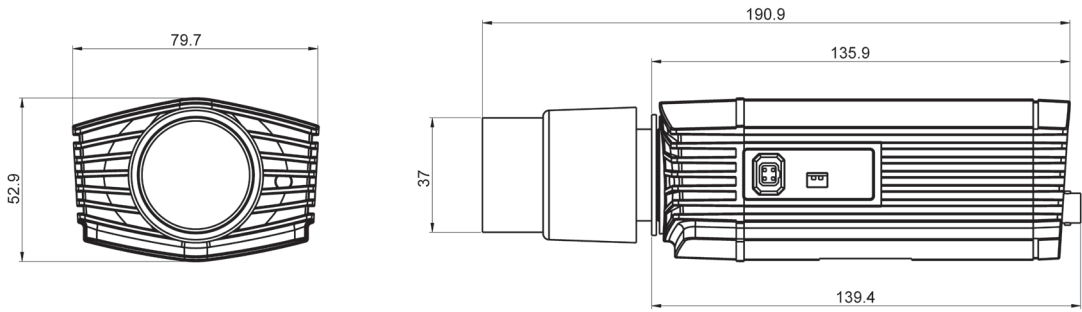
Full HD Day & Night WDR Network Camera

Technical Specifications				
Camera	Camera Hardware Profile	<ul style="list-style-type: none"> Sony Exmor 1/2.8" 3 Megapixel progressive CMOS sensor Minimum Illumination: 0.5 lux (Color); 0.05 lux (B/W) Built-in Infrared-Cut Removable (ICR) Filter module WDR SN ratio : 100 dB 10X digital zoom 	<ul style="list-style-type: none"> DC iris varifocal length: 3.1 mm to 8.0 mm Aperture: F1.2 Angle of view: (H) 38.7° to 95.9° (V) 29.1° to 71.0° (D) 48.3° to 123.1° 	
	Image Features	<ul style="list-style-type: none"> Configurable image size, quality, frame rate, and bit rate Time stamp and text overlays Configurable motion detection windows 	<ul style="list-style-type: none"> 3 Configurable privacy masks zone Configurable WDR, white balance, shutter speed, brightness, saturation, contrast, sharpness 	
	Video Compression	<ul style="list-style-type: none"> Simultaneous H.264/MPEG-4/MJPEG format compression 	<ul style="list-style-type: none"> JPEG for still images 	
	Video Resolution	<ul style="list-style-type: none"> 16:9 - 1920 x 1080, 1280 x 720, 800 x 450, 640 x 360, 480 x 270, 320 x 176, 176 x 144 4:3 - 2048 x 1536, 1600 x 1200, 1024 x 768, 800 x 600, 640 x 480, 480 x 360, 320 x 240, 176 x 144 3M (2048x1536) resolution up to 15 fps, and other resolutions support frame rates up to 30 fps 		
	Audio Support	G.726		
	External Device Interfaces	<ul style="list-style-type: none"> 2 DI / 1 DO 12 V DC, 200 mA Output RS-485 	<ul style="list-style-type: none"> SD card slot Audio input / output Video output 	
Network	Network Protocols	IPv4, TCP/IP, UDP, ICMP, DHCP Client, NTP Client (D-Link), DNS Client, DDNS Client (D-Link), SMTP Client, FTP Client, HTTP / HTTPS, Samba Client, PPPoE, UPnP Port Forwarding, RTP / RTSP/ RTCP, IP filtering, 3GPP, IGMP, ONVIF compliant		
	Security	<ul style="list-style-type: none"> Administrator and user group protection 	<ul style="list-style-type: none"> Password authentication 	
System Management	System Requirements for Web Interface	<ul style="list-style-type: none"> Operating System: Microsoft Windows 7/Vista/XP/2000 Browser: Internet Explorer, Firefox, Netscape, Opera 		
	Event Management	<ul style="list-style-type: none"> Motion detection Event notification and upload snapshots/video clips via HTTP, SMTP, or FTP 	<ul style="list-style-type: none"> Supports multiple HTTP, SMTP, and FTP servers Multiple event notifications Multiple recording methods for easy backup 	
	Remote Management	<ul style="list-style-type: none"> Configuration accessible via web browser Take snapshots/video clips and save to local hard drive or NAS via web browser 		
	Mobile Support	Windows 7/Vista/XP system, Pocket PC, or mobile phone with 3GPP playback support		
	D-ViewCam™ System Requirements	<ul style="list-style-type: none"> Operating System: Microsoft Windows 7/Vista/XP Web Browser: Internet Explorer 6 or higher 	<ul style="list-style-type: none"> Protocol: Standard TCP/IP 	
	D-ViewCam™ Software Functions	<ul style="list-style-type: none"> Remote management/control of up to 32 cameras Viewing of up to 32 cameras on one screen 	<ul style="list-style-type: none"> Supports all management functions provided in web interface Scheduled motion triggered, or manual recording options 	
General	Power Input	12 V DC 1.25 A, 50/60 Hz, 802.3af PoE		
	Max. Power Consumption	4 watts		
	Operating Temperature	0 to 40 °C (32 to 104 °F)		
	Storage Temperature	-20 to 70 °C (-4 to 158 °F)		
	Humidity	20% to 80% non-condensing		
	Weight	580 g		
	Certifications	CE (Class A), CE LVD (EN60965-1), FCC (Class A), ICES-003, C-Tick		



Full HD Day & Night WDR Network Camera

Dimensions



D-Link Corporation
No. 289 Xinhua 3rd Road, Neihu, Taipei 114, Taiwan
Specifications are subject to change without notice.
D-Link is a registered trademark of D-Link Corporation and its overseas subsidiaries.
All other trademarks belong to their respective owners.
©2011 D-Link Corporation. All rights reserved.
Release 02 (November 2011)