



User Manual

5 Megapixel H.265 Outdoor Network Camera

DCS-7517

Preface

D-Link reserves the right to revise this publication and to make changes in the content hereof without obligation to notify any person or organization of such revisions or changes. Information in this document may become obsolete as our services and websites develop and change.

Manual Revisions

Revision	Date	Description
2.00	June 26, 2017	DCS-7517 Revision B1 with firmware version 2.00

Trademarks

D-Link and the D-Link logo are trademarks or registered trademarks of D-Link Systems or its subsidiaries in the United States or other countries. All other company or product names mentioned herein are trademarks or registered trademarks of their respective companies.

Copyright © 2017 D-Link Systems

All rights reserved. This publication may not be reproduced, in whole or in part, without prior expressed written permission from D-Link Systems.

Table of Contents

Product Overview	5	Setup Wizard	29
Package Contents	5	Network Setup Wizard	30
Introduction	6	Motion Detection Setup Wizard.....	32
System Requirements	6	Settings	35
Features	7	Network Settings	35
Hardware Overview	8	LAN Settings	35
Optional Cable Harness (not included)	9	IPv6	36
Internal	10	PPPoE	36
Installation	11	HTTP and HTTPS	37
Connecting the Optional Cable Harness	11	RTSP and Multicast.....	39
Installing an SD Card	14	Bonjour	40
Mounting the Camera	15	Camera Settings.....	41
Attaching the Camera to the Mounting Bracket.....	16	Device Settings.....	41
Orienting the Camera	18	Image and Audio Settings.....	42
Deploying the Camera.....	19	Video Stream	47
Network Connection	21	Preset Point	49
Connecting Using Power over Ethernet.....	21	Recording Management	50
Connecting with a 12 V DC Power Adapter (not included).....	22	Event Management.....	50
Software Installation	23	SD Card	59
Configuration	26	Privacy Mask.....	60
Using the Configuration Interface	26	Motion	61
Live Video	27	Tamper.....	63
		Advanced Setup	64
		Advanced.....	64

UPnP	64	Regulatory Information	88
DDNS	65		
SNMP	66		
802.1x.....	68		
CoS and QoS	69		
Access List.....	70		
System Configuration	71		
Save and Load Configuration.....	71		
Factory Reset	72		
Reboot Device.....	73		
Firmware Update	74		
DI and DO	75		
Camera Options.....	76		
Device Info	76		
System Time.....	77		
Time Settings.....	77		
Auto Time Config	78		
Set Date and Time	79		
Administration Settings	80		
Admin Password	80		
User Accounts	81		
User List.....	82		
Camera Log	83		
DI/DO Specifications	84		
Technical Specifications	85		

Product Overview

Package Contents



DCS-7517 5 Megapixel H.265 Outdoor Network Camera



Mounting Bracket and Hardware



CAT5 Ethernet Cable



CD-ROM with User Manual and Software



Mounting Plate



Alignment Sticker



Quick Installation Guide

If any of the above items are missing, please contact your reseller.

Introduction

The DCS-7517 5 Megapixel H.265 Outdoor Network Camera is a professional surveillance and security solution for small, medium, and large enterprises alike. The DCS-7517 uses a 5-megapixel progressive scan CMOS sensor; this sensor results in low noise and high sensitivity capabilities ideal for surveillance applications.

The DCS-7517 is equipped stepper motor maintains the iris opening at an optimal level at all times, resulting in superior image clarity, image quality, and depth of field.

The DCS-7517 has an IP68-certified weatherproof housing designed for both indoor and outdoor applications. The built-in removable IR-cut filter and IR LEDs give the DCS-7517 the capability to view up to 30 meters at night. The DCS-7517 also incorporates Power over Ethernet (PoE), allowing it to be easily installed in a variety of locations without the need for supplemental power cabling. The combination of IP66 housing, IR-cut filter, IR LEDs and PoE make the DCS-7517 an ideal solution for a high performance, reliable and cost-effective 24-hour surveillance solution with an easy clutter-free installation.

System Requirements

- Computer with Microsoft Windows® 10, 8, 7, or Vista® (for CD-ROM Setup Wizard)
- Internet Explorer 11, Firefox 12, Safari 6, or Chrome 20 or higher
- Existing 10/100 Ethernet-based network with PoE
- A microSD memory card (optional) is required for recording to onboard storage. SDHC Class 6 or above is recommended.

Features

Remote Zoom & Focus

The remote focus function eliminates the need for manual focusing at the camera position and allows the user to make key adjustments from any computer. The remote zoom functionality allows the user to make final adjustments to the zoom from the computer. It provides a convenient way to ensure that the viewing angle is optimized for the scene and fulfills the resolution requirements.

Wide Dynamic Range

Wide Dynamic Range technology neutralizes imperfect lighting, providing clear images with the right amount of contrast even when a subject is backlit.

Automatic Thermostat Temperature Regulation

The DCS-7517 monitors and automatically regulates its temperature to ensure it can perform at its optimal ability. It balances fan use for a built-in heater based on a range of preset thermostatic settings. This gives the DCS-7517 the ability to perform in the most demanding environments.

Remote Monitoring Utility

The D-ViewCam application adds enhanced features and functionality for the DCS-7517 and allows administrators to configure and access the camera from a remote site via the Internet. Other features include recording images to a hard drive, viewing up to 32 cameras on one screen, and taking snapshots.

IR LEDs for Day and Night Functionality

The built-in infrared LEDs enables night-time viewing of up to 30 meters (98 feet).

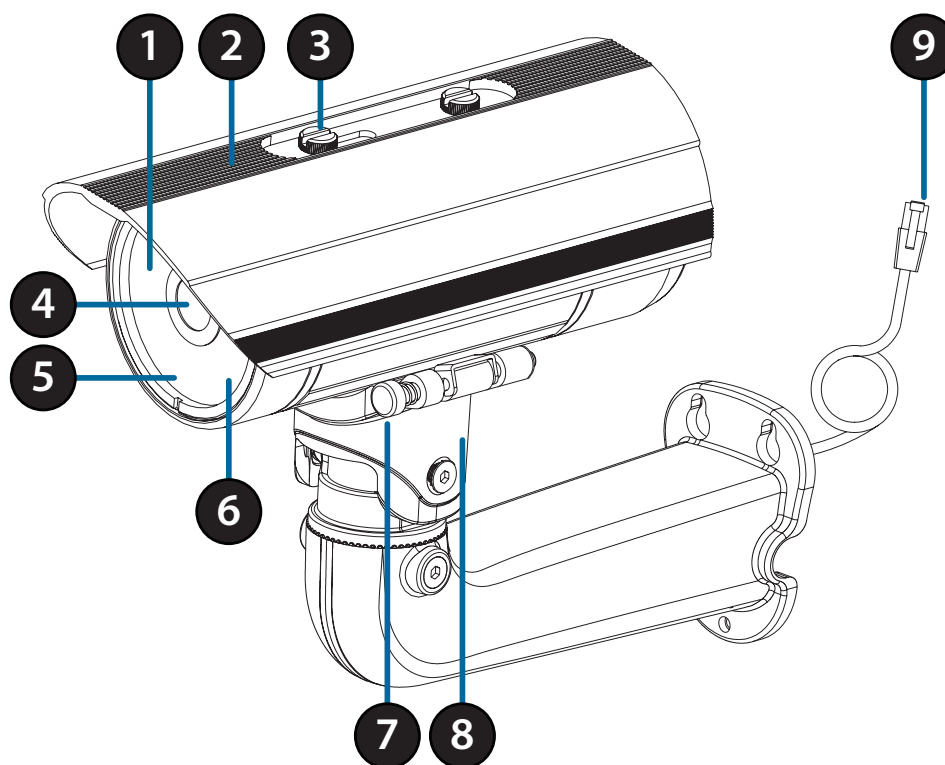
IP68 Weatherproof Housing

The DCS-7517 uses an IP68 weatherproof housing, allowing you to rest assured that in the toughest of conditions, it will continue to provide round-the-clock surveillance.

PoE (Power over Ethernet) for Flexible Installation

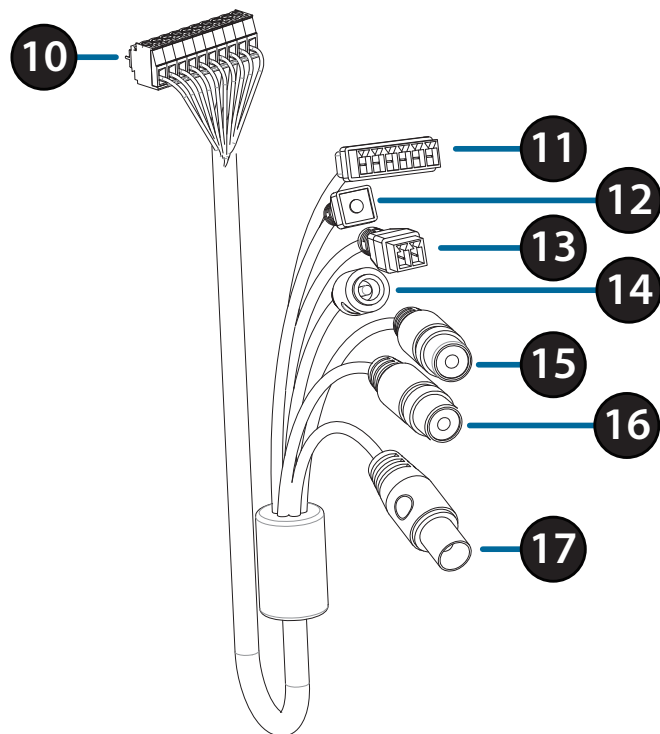
The DCS-7517 can draw all the power it needs from a PoE switch or PoE injector for a simple and clutter-free installation.

Hardware Overview



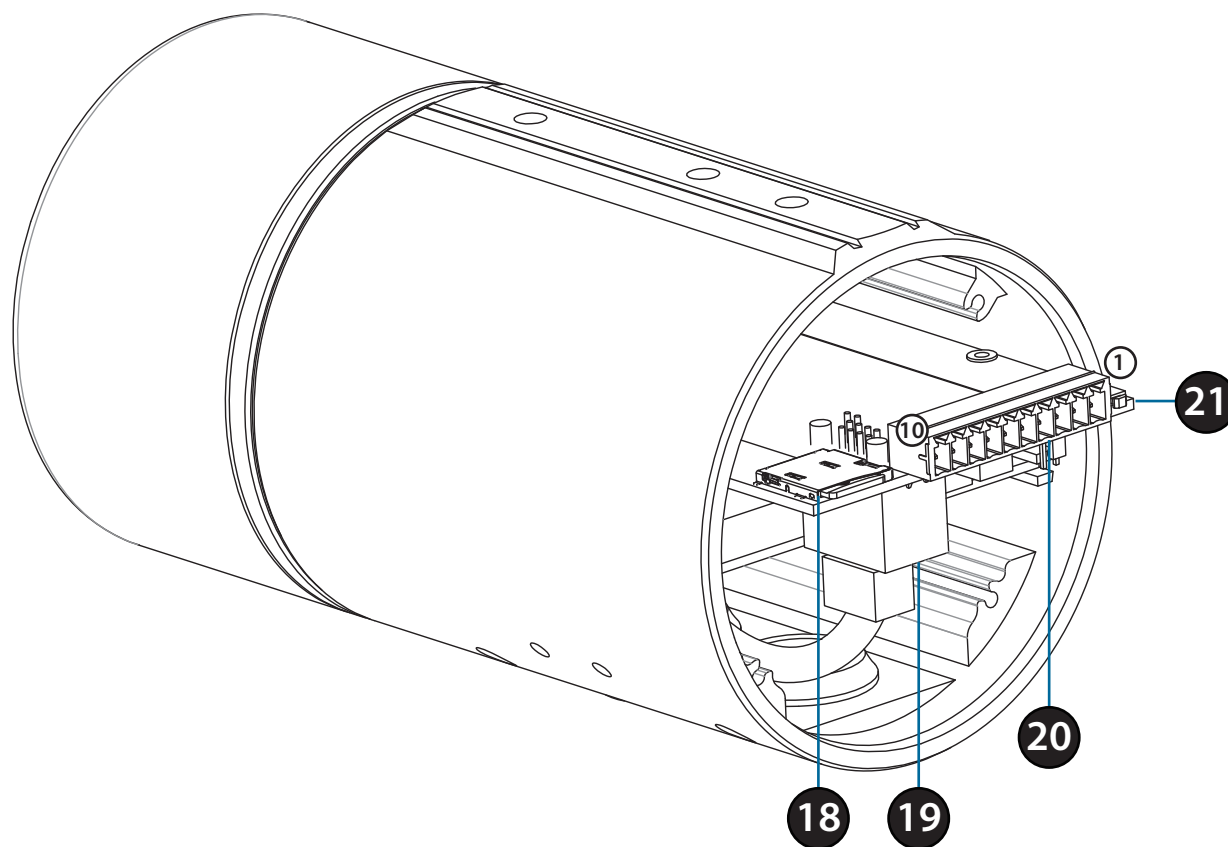
1	IR LEDs	Provide illumination for low-light environments.
2	Adjustable Top Shield	Shields the camera lens from direct sunlight.
3	Adjustment Screw	Allows for positioning of the top shield.
4	Camera Lens	Varifocal lens to record video of the surrounding area.
5	Power/Status LED	Indicates the camera's current status.
6	Light Sensor	Measures lighting conditions and switches between day and night mode accordingly.
7	Quick Release Pin	Allows the camera to be swiveled into position for easy maintenance.
8	Camera Shoe	Adjustable mounting seat for the camera.
9	Ethernet Jack	Connects to an RJ45 Ethernet port. Can be used with PoE to provide power to the camera.

Optional Cable Harness (not included)



10	Camera Connector	Connects to the DCS-7517. For more details on connecting the A/V cable, refer to the User Manual.
11	DI/DO Connector	I/O connectors for external devices. (12 V DC output not supported for the DCS-7517)
12	Reset Button	Press and hold the button for 10 seconds to reset the camera back to the factory default settings.
13	24 V Power Connector	Not supported for the DCS-7517.
14	Power Connector	Power connector for a 12 V DC power adapter (not included).
15	Audio Out (Green)	Connects to a speaker.
16	Audio In (Red)	Connects to a microphone.
17	BNC Connector	Not supported for the DCS-7517.

Internal



18	SD Card Slot	Insert an SD card for local storage for storing recorded images and video.			
19	Ethernet Port	Connects to Ethernet cable.			
20	Harness Connector	Connects to the optional cable harness (not included).			
		1. 12V IN 2. GND 3. AUD IN	4. AUD GND 5. AUD OUT 6. 12V OUT	7. GND 8. RESET 9. DI	10. DO
21	Reset Button	Press and hold the button for 10 seconds to reset the camera back to the factory default settings.			

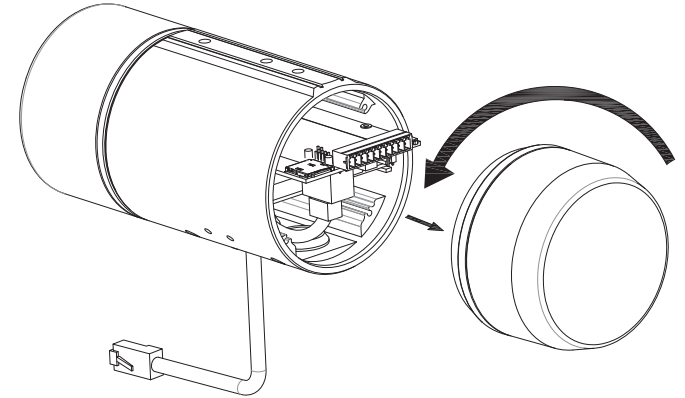
Note: For step-by-step instructions on how to insert an SD card please skip to **Installing an SD Card** on page 14.

Installation

Connecting the Optional Cable Harness

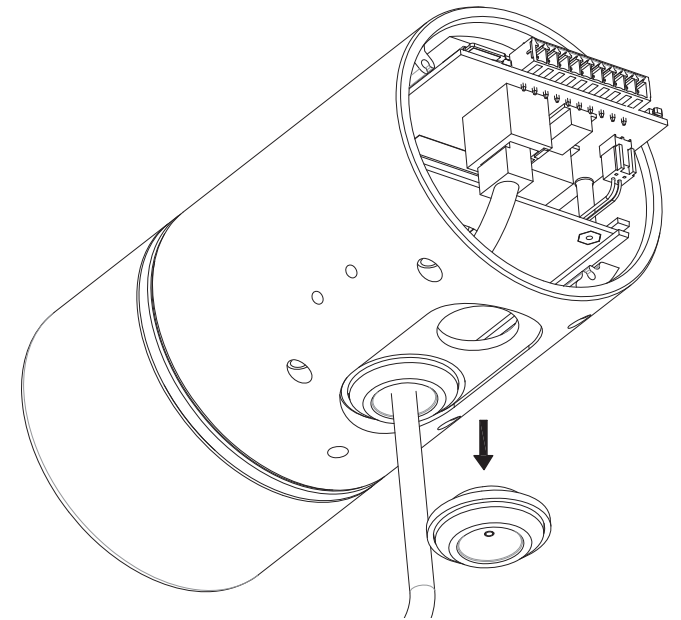
Step 1

Remove the back camera cover by turning it counter-clockwise.



Step 2

Remove the back waterproofing plug from the camera.

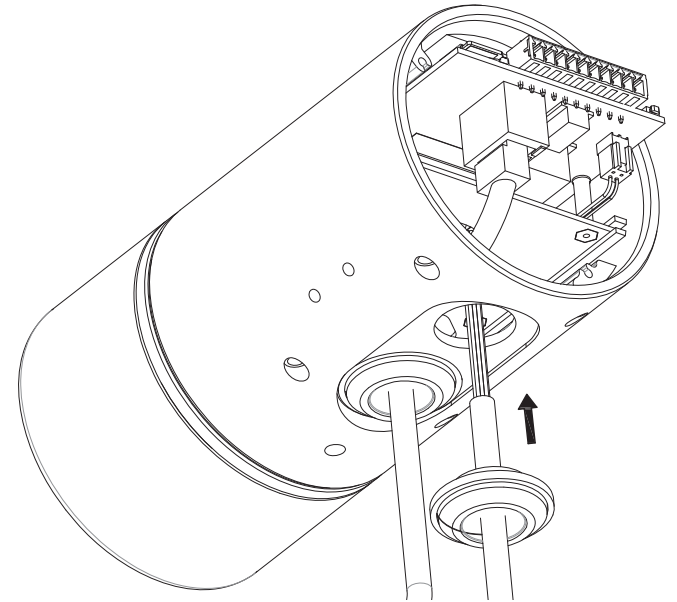


Section 2: Installation

Step 3

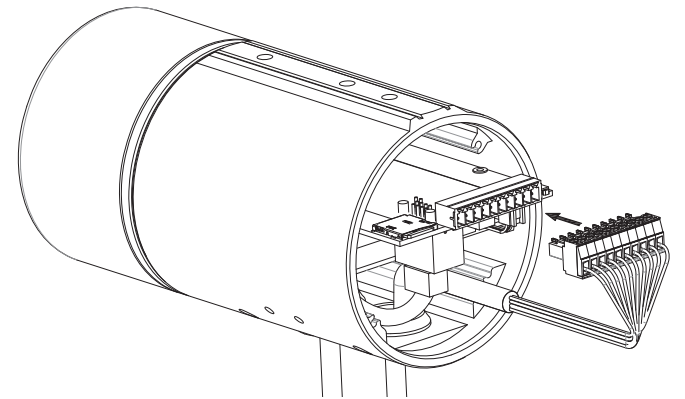
Push the camera connector and cable through the hole, and insert the cable's waterproofing plug.

Make sure the plug is inserted properly to ensure a good seal.



Step 4

Connect the camera connector to the camera.

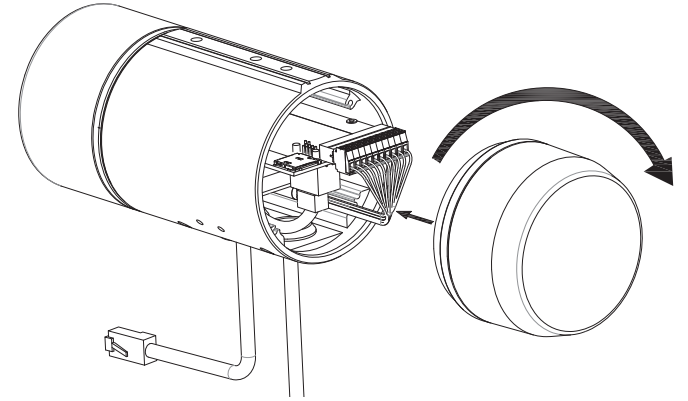


Section 2: Installation

Step 5

Reattach the back camera cover by turning it clockwise.

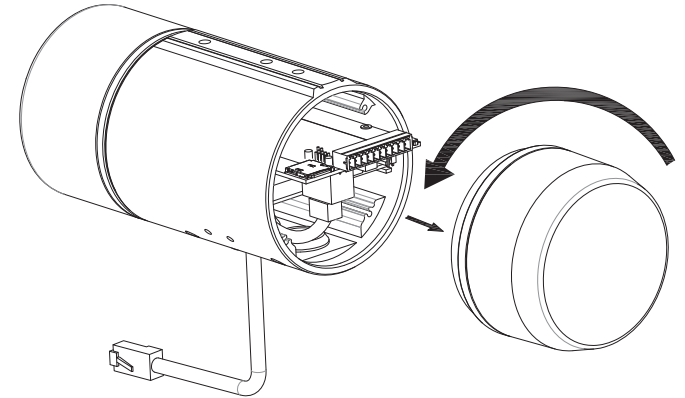
Note: Make sure that the weatherproof seals are secured firmly in place.



Installing an SD Card

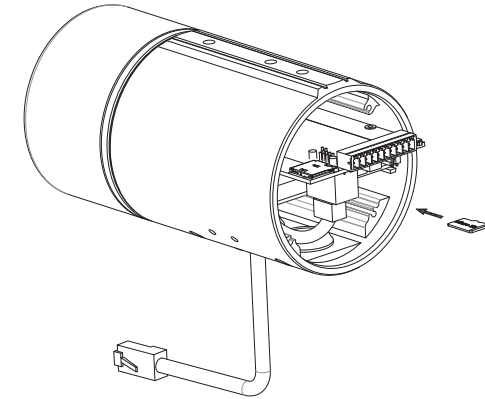
Step 1

Remove the back camera cover by turning it counter-clockwise.



Step 2

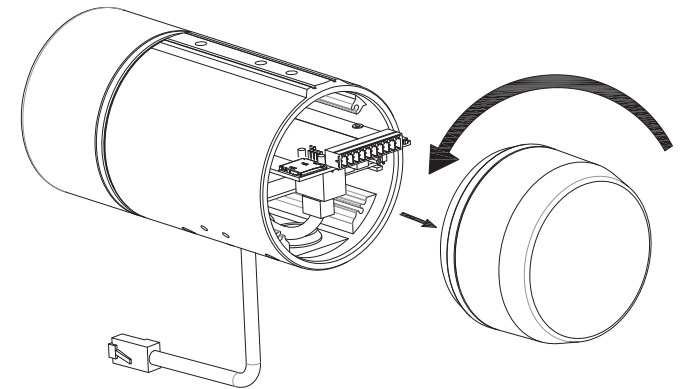
Insert your microSD card into the slot with the contacts facing down.



Step 3

Reattach the back camera cover by turning it clockwise.

Note: Make sure that the weatherproof seals are secured firmly in place.



Mounting the Camera

The DCS-7517 is suitable for mounting to a wall using the camera shoe and mounting bracket provided.

Step 1

Straighten the cables from the camera and put them side-by-side.

Step 2

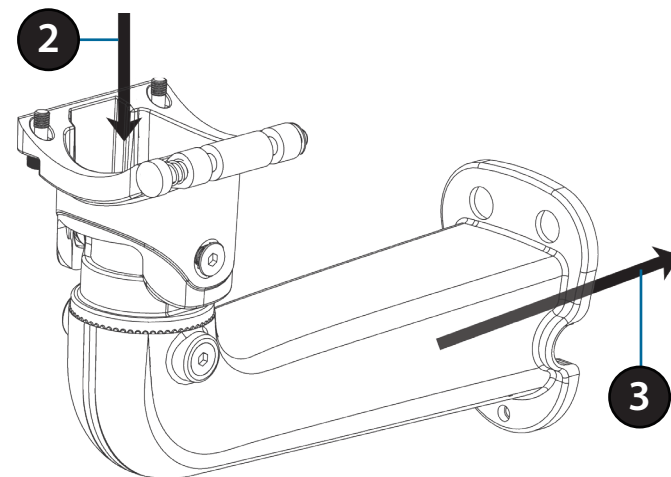
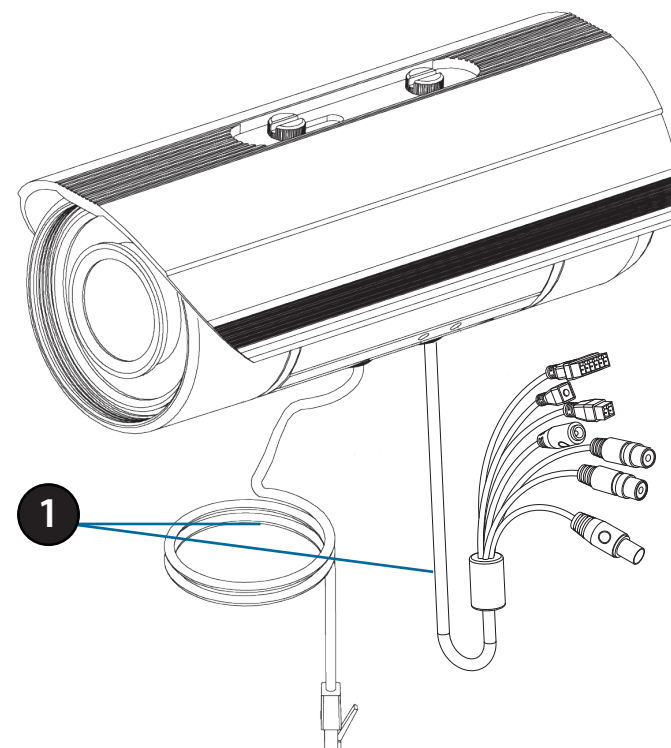
Pass the individual cables into the mounting bracket, ensuring the head of each has fully passed through the bend.

Step 3

Once all the cables are in the mounting bracket push the cable until you are able to pull them through the base of the bracket.

Step 4

Attach the camera bracket to the mounting bracket following the steps outlined in **Attaching the Camera to the Mounting Bracket on page 16**.

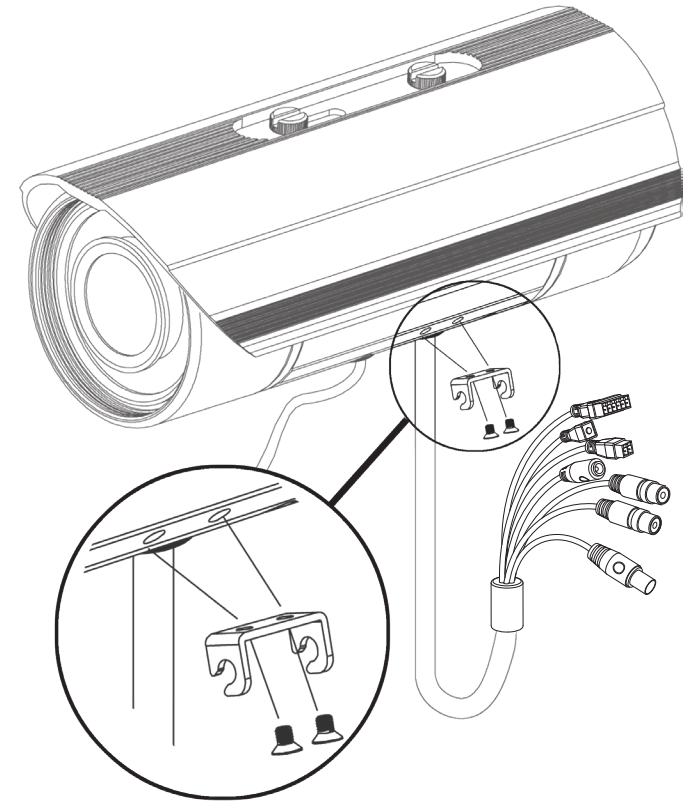


Attaching the Camera to the Mounting Bracket

Before attaching the camera to the mounting bracket, ensure the camera shoe is oriented correctly for its final position. For instructions on how to orient the camera shoe, skip to **Orienting the Camera** on page 18.

Step 1

Using the two screws provided, attach the quick release retention clip to the bottom of the camera.



Section 2: Installation

Step 2

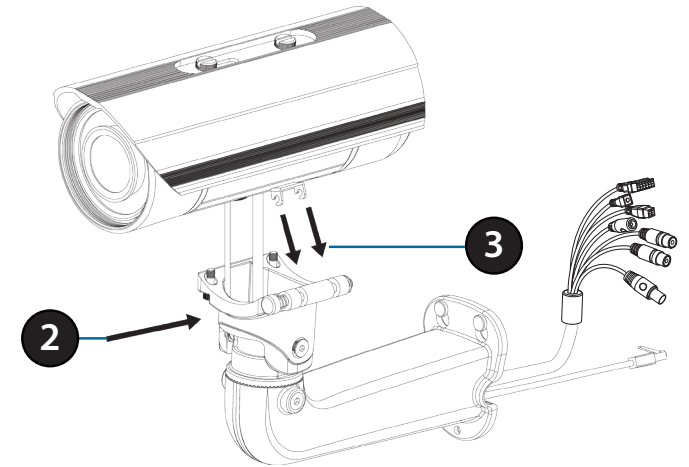
Push the quick release pin to reveal the attachment notches.

Step 3

Align the quick release retention clip over the quick release pin.

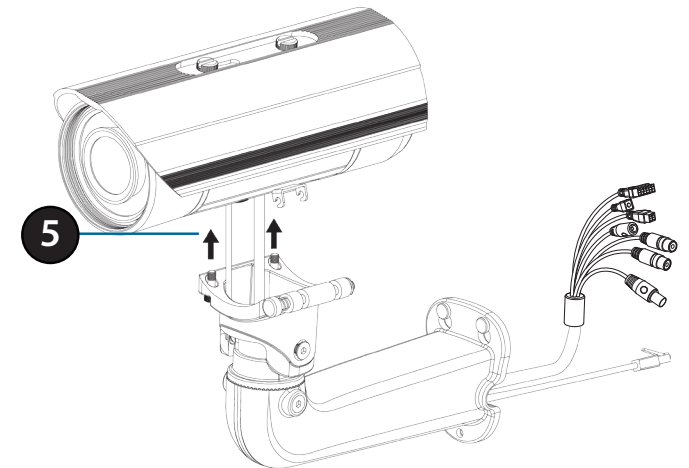
Step 4

Allow the quick release pin to return to its original position.



Step 5

Using the provided hex key, tighten the two remaining bolts.



Orienting the Camera

The DCS-7517 can be adjusted to ensure an optimal viewing position when mounted to a wall by following the steps below.

Step 1

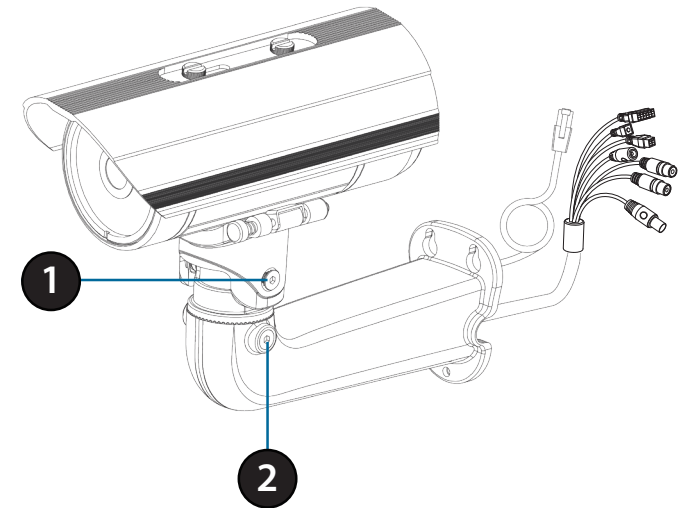
Using the hex key provided, loosen the adjustment bolts on both sides of the camera shoe. This will allow you to adjust the vertical orientation of the camera.

Firmly tighten the adjustment bolts on both sides of the camera shoe after making your adjustments.

Step 2

Loosen the adjustment bolts on both sides of the mounting bracket. This will allow you to adjust the horizontal orientation of the camera.

Firmly tighten the adjustment bolts on both sides of the mounting bracket after making your adjustments.



Deploying the Camera

Before deploying the camera to a fixed location, it is recommended that you take a photo from the desired location to ensure an adequate field of view.

Step 1

Position the alignment sticker in the desired location making sure the camera and mounting bracket have sufficient space. Use the dimension diagrams in **Technical Specifications** on page 85 for additional reference.

Step 2

Use a 6 mm drill bit to make the holes approximately 30 mm deep.

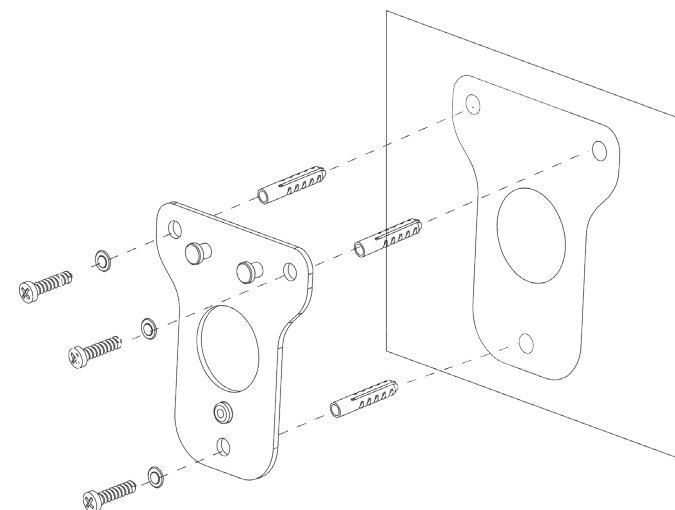
Step 3

Remove the alignment sticker.



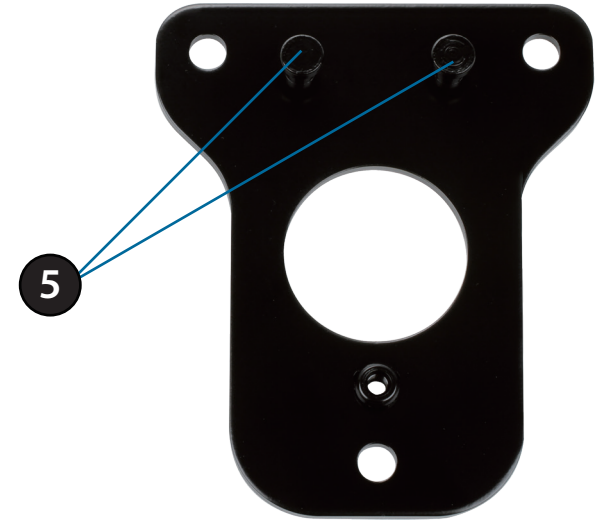
Step 4

Insert the wall anchors and affix the mounting plate using the screws provided.



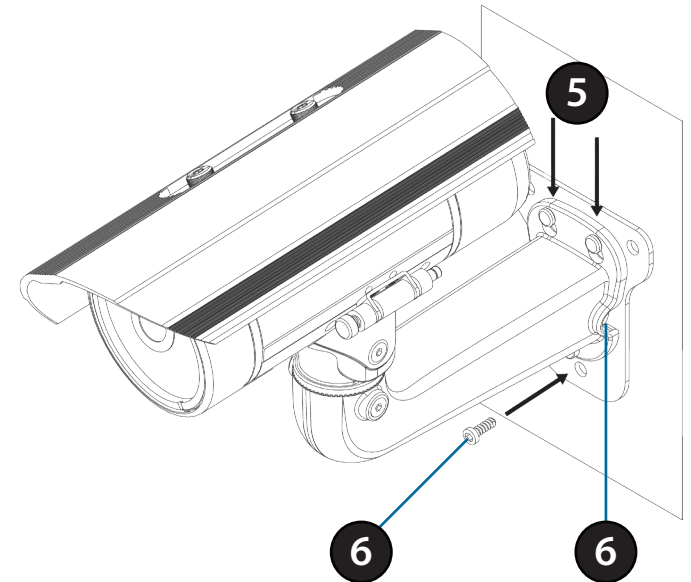
Step 5

Suspend the camera and mounting bracket from the two lugs on the mounting plate.



Step 6

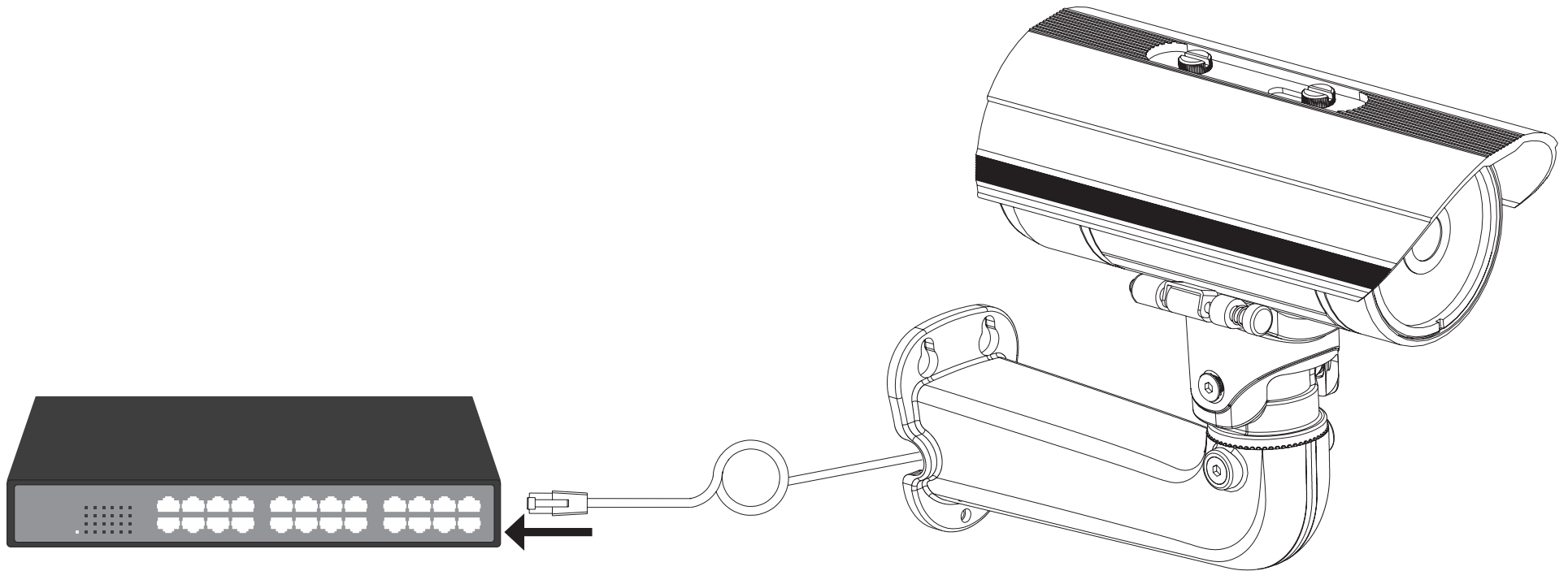
Fasten the camera firmly to the mounting plate using the screw provided, ensuring clear passage for the cables through the cable channel or via the mounting plate cut-out.



Network Connection

Connecting Using Power over Ethernet

If you are using a PoE switch, connect the IP camera to a PoE switch with an Ethernet cable, which will provide transmission of both power and data.



Connecting with a 12 V DC Power Adapter (not included)

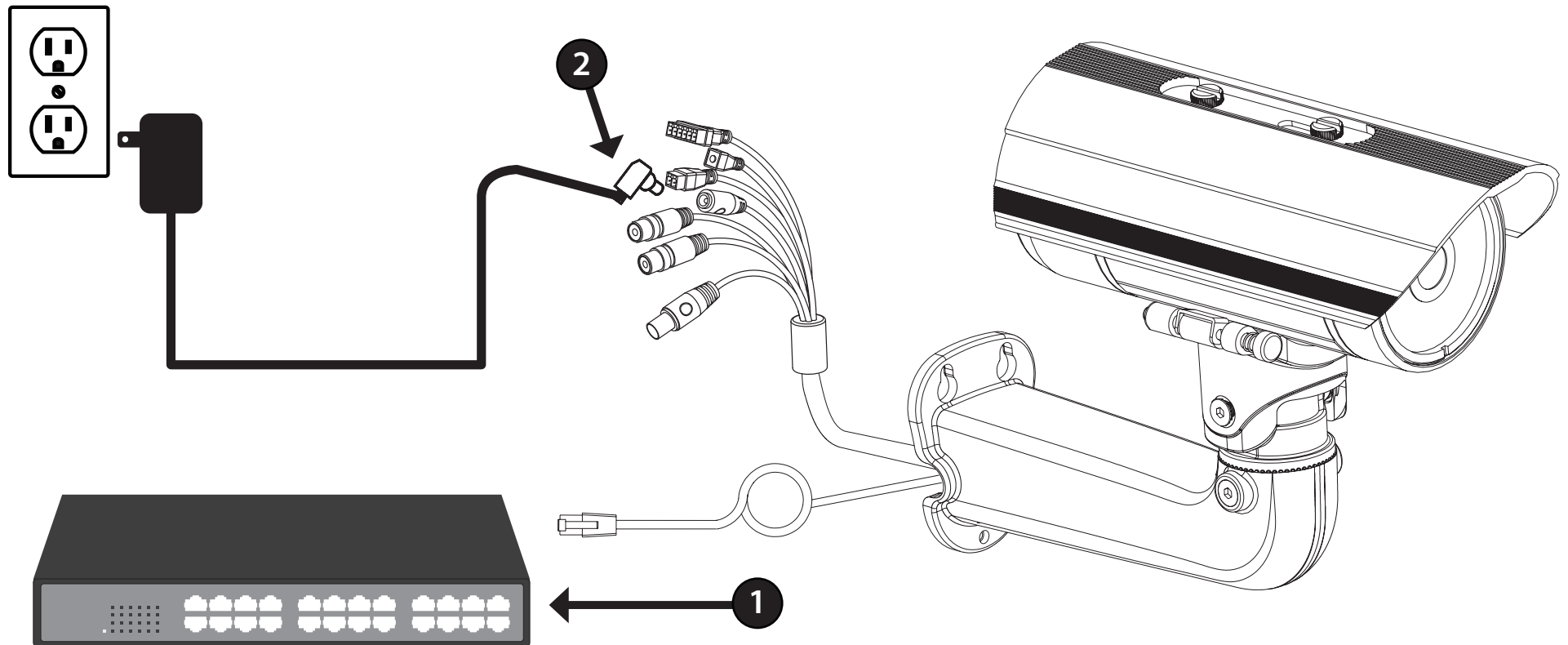
If you are using the optional cable harness (not included), you can power the camera using a 12 V DC power adapter (not included).

Step 1

Connect the camera to a switch or router via an Ethernet cable.

Step 2

Connect a 12 V power adapter (not included) from the camera to a power outlet.



Software Installation

Step 1

Insert the D-Link CD into your computer's drive to start the autorun program.

The CD-ROM will open the Setup Wizard. The Setup Wizard will guide you through the installation process to configure your camera.

Note:

If the autorun program does not automatically start on your computer, go to Windows, click the **Start** button and then type **D:\autorun.exe**, where D: represents your CD-ROM drive.



Step 2

Accept the End User Licence Agreement and follow the on-screen prompts to install the Setup Wizard.

Step 3

Select your camera from the list, then click **Wizard**. If you have multiple cameras, you can identify each one by the MAC ID printed on the label on the back of each camera.



Section 2: Installation

Step 4

Enter the Admin ID and Password. When logging in for the first time, the default Admin ID is **admin** with the password left blank.

Click **Next** to continue.



The screenshot shows the 'Set up an Admin ID and Password to secure your camera' screen. It features two columns of input fields. The first column has 'Admin ID' and 'Password' fields. Below them is a 'Change' checkbox, followed by 'New ID' and 'Reconfirm' fields. The second column has 'New Password' and 'Reconfirm' fields. At the bottom right, there are three buttons: 'Back' (left arrow), 'Next' (right arrow), and 'Exit' (power icon).

Step 5

Select **DHCP** if your camera automatically obtains an IP address from a DHCP server such as a router. Select **Static IP** if you want to manually enter the IP settings for the camera.

Click **Next** to continue.



The screenshot shows the 'Set IP Address' screen. It has two radio buttons: 'DHCP' (selected) and 'Static IP'. Below the radio buttons are five input fields: 'IP Address', 'Subnet Mask', 'Default Gateway', 'Primary DNS', and 'Secondary DNS'. At the bottom right, there are three buttons: 'Back' (left arrow), 'Next' (right arrow), and 'Exit' (power icon).

Section 2: Installation

Step 6

Take a moment to confirm your settings and click **Restart**.

The LED on the front of the camera will blink, then turn solid green once it successfully connects to your network.

D-Link Building Networks for People

SECURICAM Network

Admin ID

Password

IP Address

Subnet Mask

Default Gateway

Primary DNS

Secondary DNS

Now you have configured all settings. Please click button 'Restart' to commit the settings to the Internet camera and reboot it. Or, you can click button 'Back' to change the settings again.

Step 7

Your camera is now set up. Click **Exit** to exit the wizard and can skip to **Configuration** on page 26 for advanced configuration of your camera.

D-Link Building Networks for People

SECURICAM Network

MAC Address	Current IP Address	Device Name
0a 4a ca 6a ca 0b	192.168.0.102	DCS-7517

Wizard

Search

Link

About

Exit

Configuration

Using the Configuration Interface

After completing the Camera Installation Wizard, you are ready to use your camera. The camera's built-in Web configuration utility is designed to allow you to easily access and configure your DCS-7517. At the end of the wizard, click **Link**, or enter the IP address of your camera into a web browser. To log in, use the User name **admin** and the password you created in the Installation Wizard. If you did not create a password, the default password is blank. After entering your password, click **OK**.

Step 1

Select the camera and click the **Link** button to access the web configuration. The Setup Wizard will automatically open your web browser to the IP address of the camera.



Step 2

The first time you connect to the camera, you will need to enter a password for the administrator account. Enter a password, then click the **Save** button.

For security purposes, it is recommended to change the password for your administrator account.

New Password:









Confirm New Password:

Save

Live Video

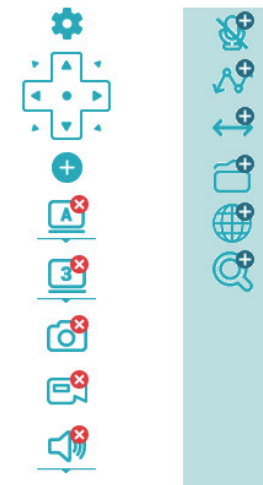
This section shows your camera's live video. You may select any of the available icons listed below to operate the camera. You may also select your language using the drop-down menu on the left side of the screen.

If your view window area is less than your frame size, you can click and drag on the live video to move the camera view around. Refer to **Video Stream** on page 47







	Setup	Clicking this will take you to the camera configuration pages.
	Control Pad	If your view window area is less than your frame size, you can use the control pad to electronically pan and tilt. Click on the arrows to move the view in that direction. Click the center to return to the home position.
	Edit Toolbar	Clicking this will allow you to add and remove icons from the toolbar. This lets you create a custom toolbar with only the options you want.
	Window Size	You can choose between various screen sizes for your camera's video: <ul style="list-style-type: none"> ▪ Auto Screen: Automatically resize the camera video to match your browser window ▪ Full Screen: View your camera video using the entire screen ▪ 100% Screen: View your camera's video at 100% size ▪ 50% Screen: View your camera's video at 50% size ▪ 25% Screen: View your camera's video at 25% size
	Video Profile 1/2/3	Select a video profile to use. For more on setting up your video profiles, refer to Video Stream on page 47 .
	Take a Snapshot	This will save a snapshot to your PC using the storage folder you have selected.
	Record a Video Clip	This will start recording a video clip to your PC using the storage folder you have selected. Click it again to stop recording. If you close the browser window, the recording will stop.
	Audio In Volume	Click this and use the slider to adjust the volume or mute audio coming in from a microphone connected to the camera.







Copyright ©2016 D-Link Corporation



Section 3: Configuration

	Talk/Stop Audio Out	Click this and use the slider to adjust the volume of audio sent from your PC's microphone to a speaker connected to your camera.
	Patrol	After creating a list of preset ePTZ camera positions, click this to automatically cycle through the preset sequence.
	Auto Pan	Click this to start automatically panning the currently selected view.
	Set a Storage Folder	Select a storage folder to save snapshots and video clips to.
	Global View	This will show a thumbnail of your camera's full view. This can be useful when you are zooming in on the video in the Live Video screen.
	Zoom In/Out	Click this and use the slider to zoom in and out of your camera's video.

You can find these icons in the top-right corner of the Live Video screen:

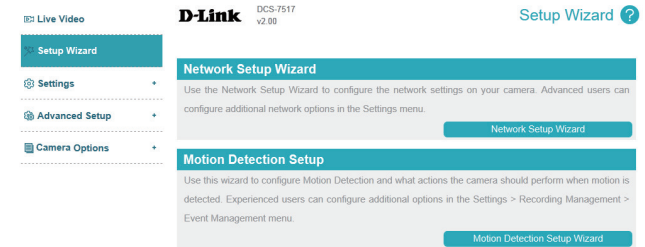
	Alarm	This will flash red when motion is detected or a DI signal is received.
	Record Status	This will turn red when the camera is recording.
	Help	Click this to open a window that describes the Live Video controls.
	Logout	Click this to log out of the web interface.

Setup Wizard

The Setup Wizards walk you through setting up your camera's network and motion detection settings.

Network Setup Wizard: Click on this button to start the Network Setup Wizard. Refer to **Network Setup Wizard** on page 30.

Motion Detection Setup Wizard: Click on this button to start the Motion Detection Setup Wizard. Refer to **Motion Detection Setup Wizard** on page 32.



Network Setup Wizard

This wizard will guide you through a step-by-step process to configure your camera and connect it to the Internet. Click **Next** to continue.

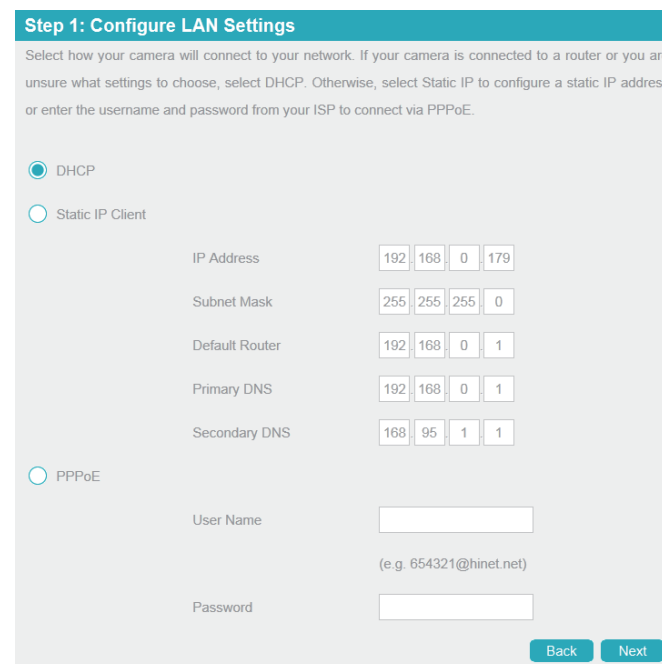
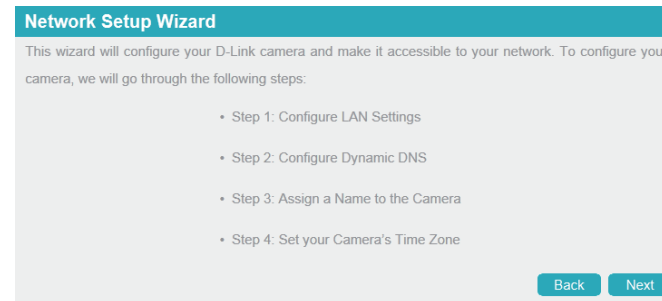
Select how the camera will connect to the Internet.

If your camera is connected to a router, or you are unsure how your camera will connect to the Internet, select DHCP.

Select **Static IP Client** if your Internet Service Provider has provided you with connection settings, or if you wish to set a static address within your home network. Enter the correct configuration information and click **Next** to continue.

If you are using PPPoE, select PPPoE and enter your user name and password.

Click **Next** to continue.



Section 3: Configuration

If you have a Dynamic DNS account and would like the camera to update your IP address automatically, select **Enable DDNS** and enter your host information. Click **Next** to continue.

Step 2: Configure Dynamic DNS

If you have a Dynamic DNS account, you can configure your camera to update your external IP address automatically by enabling DDNS and entering your account details. Click Next to continue.

DDNS

Server Address << ▼

Host Name

User Name

Password

Verify Password

Timeout (hours)

[Back](#) [Next](#)

Enter a name for your camera and click **Next** to continue.

Step 3: Assign a Name to the Camera

We recommend that you give your camera a unique name to easily identify it on your network.

IP Camera Name 63 characters maximum

[Back](#) [Next](#)

Configure the correct time to ensure that all events will be triggered as scheduled. Click **Next** to continue.

Step 4: Set your Camera's Time Zone

Please set the correct time zone for your camera to ensure that all events are triggered, captured, and scheduled correctly.

Time Zone ▼

Daylight Saving

[Back](#) [Next](#)

Confirm the settings are correct and click **Apply** to save them. The settings will be saved to the DCS-7517 and the camera will restart.

Step 5: Setup Complete

The summary below shows the options you have selected. Click Finish to apply these options, or click Back if you wish to make changes. Please make a note of these settings to ensure you can access your camera in the future.

IP Address	DHCP
IP Camera Name	DCS-7517
Time Zone	(GMT+08:00) Taipei
DDNS	Disable
PPPoE	Disable

[Back](#) [Finish](#)

Motion Detection Setup Wizard

This wizard will guide you through a step-by-step process to configure your camera's motion detection functions.

Click **Next** to continue.

Step 1

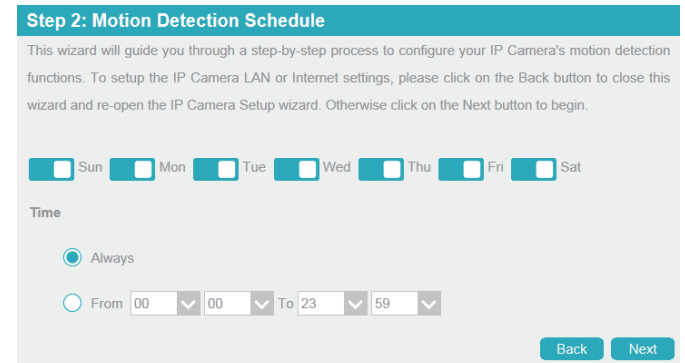
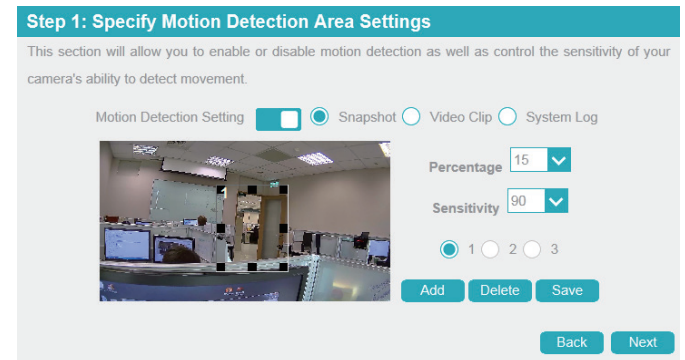
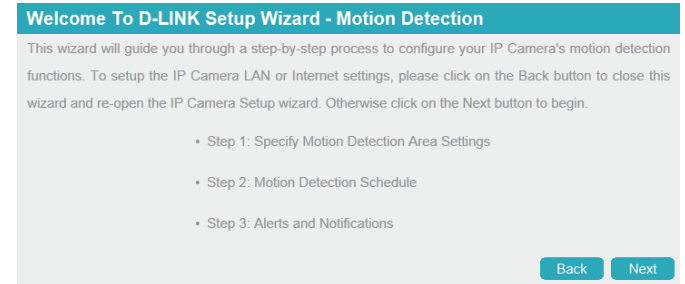
This step will allow you to enable or disable motion detection, specify the detection sensitivity, and define what parts of the camera's view to monitor for motion.

You may specify whether the camera should capture a snapshot, record a video clip, or save a system log when motion is detected.

Please refer to **Motion** on page 61 for more information about how to configure motion detection.

Step 2

This step allows you to enable motion detection based on a customized schedule. Specify the day and hours. You may also choose to always record whenever motion is detected.



Section 3: Configuration

Step 3

This step allows you to specify where to send the snapshot/video clip/system log when motion is detected. Select **E-mail**, **FTP**, **Network Storage**, or **SD Card**, and enter the relevant information.

Click **Next** to continue.

Step 3: Alerts and Notification

This final step allows you to specify how you receive notification of camera events. Choose between an email notification or alternatively you can setup an FTP Notification. You will need your email account settings or FTP details. If you are unsure of this information, please contact your ISP. Once you have entered this information, please click on the Next button.

Server Name:

Email

Sender Email Address

Recipient Email Address

Server Address

User Name

Password

Port

StartTLS

FTP

Server Address

Port

Login Type

User Name

Password

Remote Folder Name

Passive Mode

Network Storage

Network Storage Location

(for example: \\my_nas\disk\folder)

Workgroup

User Name

Password

Primary WINS Server

SD Card

[Back](#) [Next](#)

Section 3: Configuration

Step 4

You have completed the Motion Detection Wizard.

Please verify your settings and click **Finish** to save them.

Please wait a few moments while the camera saves your settings and restarts.

Step 4: Setup Complete

You have completed your IP Camera setup. Please click the Back button if you want to review or modify your settings or click on the Apply button to save and apply your settings.

Motion Detection :	Enable
EVENT :	System Log
Schedule Day :	Sun ,Mon ,Tue ,Wed ,Thu ,Fri ,Sat ,
Schedule Time :	Always
Alerts and Notification :	SD Card

[Back](#) [Finish](#)

Settings

Network Settings

LAN Settings

Use this section to configure the network connections for your camera. All relevant information must be entered accurately. Please note that PPPoE must be disabled to make any changes on this page; refer to **PPPoE** on page 36 for more details. After making any changes, click the **Save** button to save your changes.

DHCP: Select this connection if you have a DHCP server running on your network and would like your camera to obtain an IP address automatically.

If you choose DHCP, you do not need to fill out the IP address settings.

Static IP Client: You may obtain a static or fixed IP address and other network information from your network administrator for your camera. A static IP address may simplify access to your camera in the future.

IP Address: Enter the fixed IP address in this field.

Subnet Mask: This number is used to determine if the destination is in the same subnet. The default value is 255.255.255.0.

Default Gateway: Enter the gateway used to forward frames to destinations in a different subnet. Invalid gateway settings may cause the failure of transmissions to a different subnet.

Primary DNS: Enter the primary domain name server for translating domain names to IP addresses.

Secondary DNS: Enter the secondary domain name server for translating domain names to IP addresses.

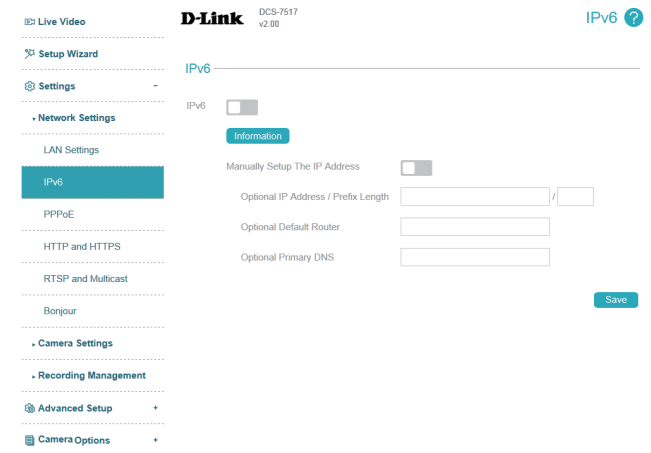
The screenshot displays the LAN Settings configuration page for a D-Link DCS-7517 v2.00 camera. The interface is organized into a sidebar on the left and a main configuration area on the right. The sidebar includes options for Live Video, Setup Wizard, Settings, Network Settings, LAN Settings (which is currently selected and highlighted in blue), IPv6, PPPoE, HTTP and HTTPS, RTSP and Multicast, Bonjour, Camera Settings, and Recording Management. The main area shows the 'LAN Settings' title and the D-Link logo. Below this, there are two radio buttons: 'DHCP' (which is selected) and 'Static IP Client'. Under the 'DHCP' section, there are several input fields for network parameters: IP Address (192.168.0.178), Subnet Mask (255.255.255.0), Default Router (192.168.0.1), Primary DNS (192.168.0.1), and Secondary DNS (168.95.1.1). A 'Save' button is positioned at the bottom right of the configuration area.

IPv6

Use this section to configure your camera's IPv6 settings. After making any changes, click the **Save** button to save your changes.

Enable IPv6: Enable the IPv6 setting to use the IPv6 protocol.

Manually Setup The IP Address: Enabling the option allows you to manually set up the address, specify an optional IP address, specify an optional router address, and an optional primary DNS address. You can click the **Information** button to see the IPv6 address lists for the host, gateway, and DNS server.



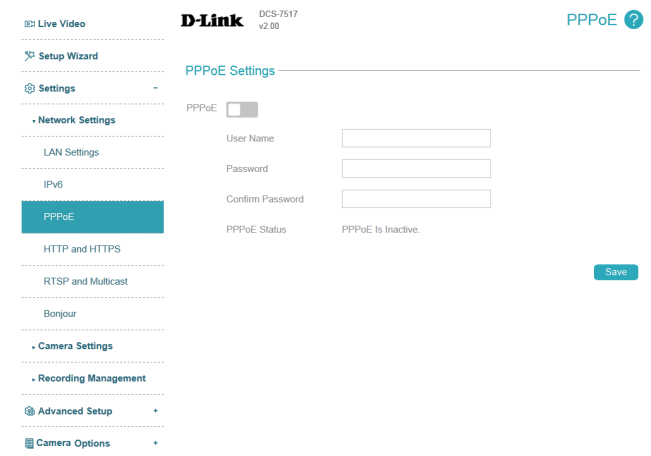
PPPoE

Use this section to configure your camera's PPPoE settings. After making any changes, click the **Save** button to save your changes.

Enable PPPoE: Enable this setting if your network uses PPPoE.

User Name / Password: Enter the username and password for your PPPoE account. Re-enter your password in the Confirm Password field. You may obtain this information from your ISP.

PPPoE Status: This shows your current PPPoE connection status.



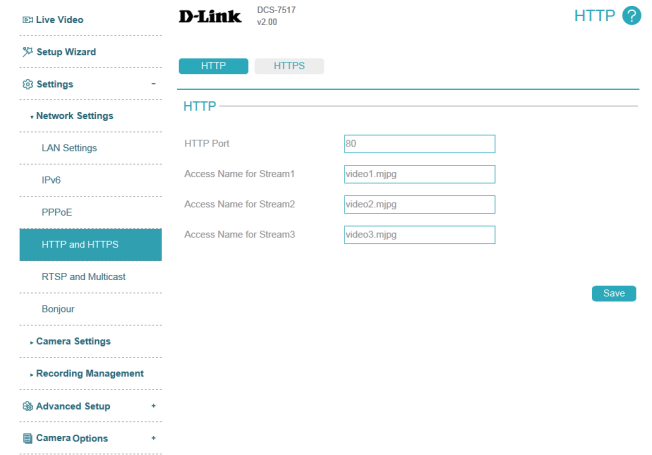
HTTP and HTTPS

Use this section to configure the HTTP and HTTPS access settings for your camera. After making any changes, click the **Save** button to save your changes.

HTTP

HTTP Port: The default port number is 80.

Access Name for Stream 1~3: The default name is video#.mjpg, where # is the number of the stream.



HTTPS

HTTPS Port: You may use a PC with a secure browser to connect to the HTTPS port of the camera. The default port number is 443.

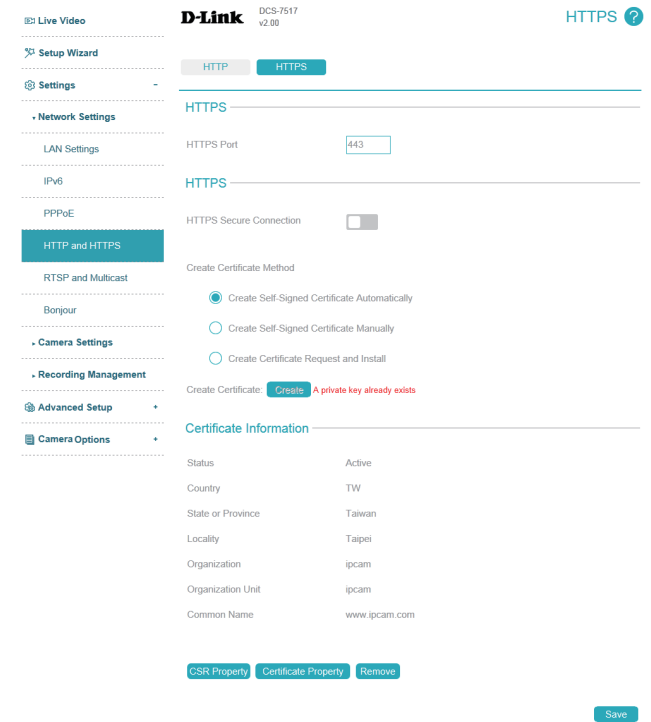
Enable HTTPS Secure Connection: Enable the HTTPS service.

Create Certificate Method: Choose the way the certificate should be created. Three options are available:

- Create a self-signed certificate automatically
- Create a self-signed certificate manually
- Create a certificate request and install

Status: Displays the status of the certificate.

Note: The certificate cannot be removed while the HTTPS is still enabled. To remove the certificate, you must first uncheck **HTTPS secure connection**.



RTSP and Multicast

Use this section to configure your camera's RTSP and multicast stream settings. After making any changes, click the **Save** button to save your changes.

RTSP

Authentication: Choose to enable or disable RTSP digest encryption. Digest encryption uses MD5 hashes.

RTSP Port: The port number that you use for RTSP streaming to mobile devices, such as mobile phones or PDAs. The default port number is 554.

Access Name for Stream 1/2/3: You may specify the address of a particular stream. For instance, live1.sdp can be accessed at `rtsp://x.x.x.x/video1.sdp` where the x.x.x.x represents the ip address of your camera.

Multicast

Multicast for Stream 1/2/3: The DCS-7517 allows you to multicast each of the available streams via a group address and specify the TTL value for each stream. Enter the port and TTL settings you wish to use if you do not want to use the defaults.

The screenshot shows the 'RTSP' configuration page for the D-Link DCS-7517 v2.00 camera. The page is titled 'RTSP' and has a 'Save' button. The 'Authentication' dropdown is set to 'Basic'. The 'RTSP Port' is 554. There are three 'Access Name for Stream' fields: 'live1.sdp', 'live2.sdp', and 'live3.sdp'.

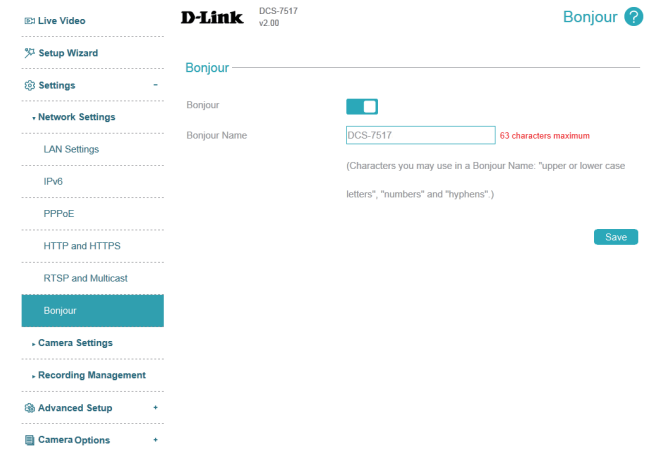
The screenshot shows the 'Multicast' configuration page for the D-Link DCS-7517 v2.00 camera. The page is titled 'Multicast' and has a 'Save' button. The 'Multicast for Stream 1' checkbox is checked. The 'Multicast Group Address Video' is 239.198.97.182. The 'Multicast Group Address Audio' is 239.198.97.182. The 'Multicast Video Port' is 5610. The 'Multicast RTCP Video Port' is 5611. The 'Multicast Audio Port' is 5612. The 'Multicast RTCP Audio Port' is 5613. The 'Multicast TTL [1-255]' is 1. The 'Multicast for Stream 2' checkbox is unchecked.

Bonjour

Use this section to enable Bonjour, which allows your camera to be accessed more easily on your network. After making any changes, click the **Save** button to save your changes.

Bonjour: Enable this to enable Bonjour support.

Bonjour Name: Enter a name to identify this camera on Bonjour.



Camera Settings

Device Settings

Use this section to configure the device name and LED behavior for your camera. After making any changes, click the **Save** button to save your changes.

IP Camera Name: Create a unique name for your camera that will be added to the file name prefix when creating a snapshot or a video clip.

Indicator LED: You may specify whether or not to illuminate the status LED on the camera.

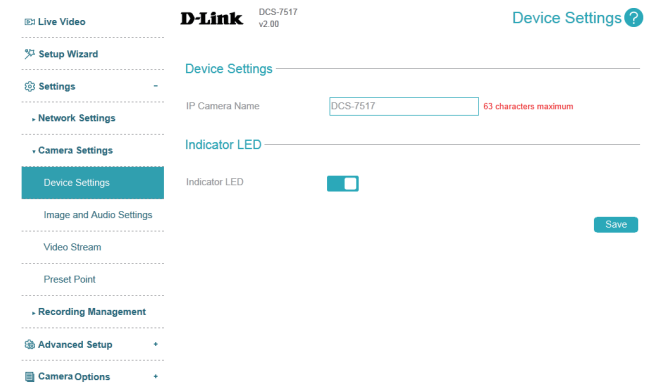


Image and Audio Settings

In this section, you may configure the video image settings for your camera. All changes in the Image Settings section will be made immediately. For the other sections, after making any changes, click the **Save** button to save your changes.

Image & Audio

Mirror: This will mirror the image horizontally.

Flip: This will flip the image vertically. When turning Flip on, you may want to consider turning **Mirror** on as well.

DIS: Enabling Digital Image Stabilization (DIS) will slightly reduce the viewing area of the camera in order to provide image stabilization. This is useful when the camera is mounted in a place that may be affected by wind or vibration.

Anti-Flicker: Select the frequency used by your power lines to avoid interference or distortion.

White Balance: Use the drop-down box to change white balance settings to help balance colors for different environments. You can choose from **Auto**, **Outdoor**, **Indoor**, **Fluorescent**, and **Push Hold**. If you choose **Push Hold**, hold a white card or grey card in front of the camera, then click the **Save** button to set the camera's white balance.

Exposure Mode: Changes the exposure mode. Use the drop-down box to set the camera for **Indoor**, **Outdoor**, or **Night** environments, or to **Moving** to capture moving objects. The **Low Noise** option will focus on creating a high-quality picture without noise. You can also create 3 different custom exposure modes.

Shutter: If the Exposure Mode is set to one of the **Customize** modes, you can change the minimum and maximum shutter speeds.

Auto Iris: Selecting this option will allow the camera to automatically determine the optimal iris adjustment.

Section 3: Configuration

Iris Adjustment: To counteract difficult lighting scenarios you can manually adjust the camera's iris.

Denoise: This setting controls the amount of noise reduction that will be applied to the picture.

3D Denoise: This setting controls the amount of 3D Denoise that will be applied to the picture. 3D Denoise reduces the amount of image noise when viewing a low-light environment.

Hue: Adjust this setting to change the color of the camera video.

Brightness: Adjust this setting to compensate for backlit subjects.

Contrast: Adjust this setting to alter the color intensity/strength.

Saturation: This setting controls the amount of coloration, from grayscale to fully saturated.

Sharpness: Specify a value from 0 to 128 to specify how much sharpening to apply to the image.

WDR Level: Wide Dynamic Range (WDR) helps improve exposure, making it easier to see objects in very bright or dark areas of the camera's image. Specify a value from 0 to 10 to specify how much WDR adjustment to apply to the image, or select **None**.

Reset: Click this button to reset the image to factory default settings.

Image Settings

Mirror

Flip

DIS

Anti-Flicker 60 Hz 50 Hz

White Balance

Exposure Mode Max Gain dB

Shutter Min: Max:

Auto Iris

Iris Adjustment

Denoise

3D Denoise

Hue

Brightness

Contrast

Saturation

Sharpness

WDR Level

[Reset](#)

Image Settings(Night Mode)

Night Mode

This profile is applied to Night Mode. From : to :

Exposure Mode Max Gain dB

Auto Iris

Iris Adjustment

Denoise

3D Denoise

Brightness

Contrast

Saturation

Sharpness

[Save](#)

Section 3: Configuration

Night Mode: Here, you can enable a different set of image settings for when the camera uses night mode. To do so, enable **Night Mode**, select the period of time you want the different image settings to apply, then adjust the image settings as desired. After making any changes, click the **Save** button to save your changes.

Please note that this does not control when night mode will be used; this only controls when these image settings will be used. To control when night mode will be used, refer to **IR & ICR** on page 45.

Video Mode: You can select between 1080P WDR, which will give you a picture with better exposure, and 1080P 60FPS, which will give you smoother video with a higher frame rate.

Audio In Gain Level: This setting controls the amount of gain applied to incoming audio to increase its volume.

Audio Out Volume Level: This setting controls the amount of gain applied to outgoing audio to increase its volume.

Image Settings(Night Mode)

Night Mode

This profile is applied to Night Mode. From 18:00 to 06:00

Exposure Mode: Outdoor Max Gain: 30 dB

Auto Iris

Iris Adjustment: 102

Denoise: 3

3D Denoise: 1

Brightness: 50

Contrast: 50

Saturation: 50

Sharpness: 50

Save

Audio Settings

Audio In Gain Level: 80

Audio Out Volume Level: 80

Save

IR & ICR

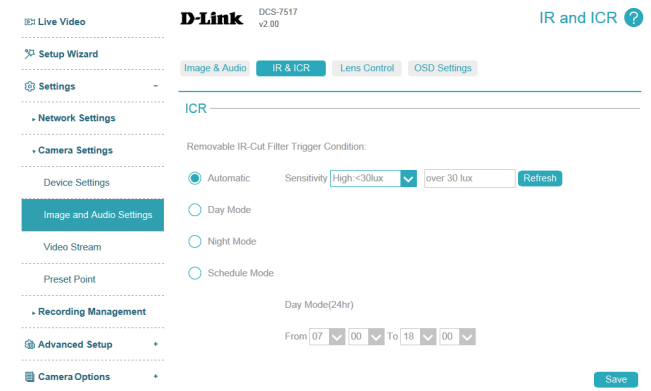
Use this section to configure the IR LED and IR-cut removable filter behavior for your camera.

Automatic: The Day/Night mode is set automatically. Generally, the camera uses Day mode and switches to Night mode when needed. Use the **Sensitivity** drop-down box to select when the camera should switch to Night mode. The text to the right of the drop-down box shows what the current lighting conditions are like, and you can refresh this information by clicking the **Refresh** button.

Day Mode: Day mode enables the IR Cut Filter and turns off the IR LEDs.

Night Mode: Night mode disables the IR Cut Filter and turns on the IR LEDs.

Schedule Mode: Set Day/Night mode using a schedule. The camera will enter Day mode at the starting time and return to Night mode at the ending time.

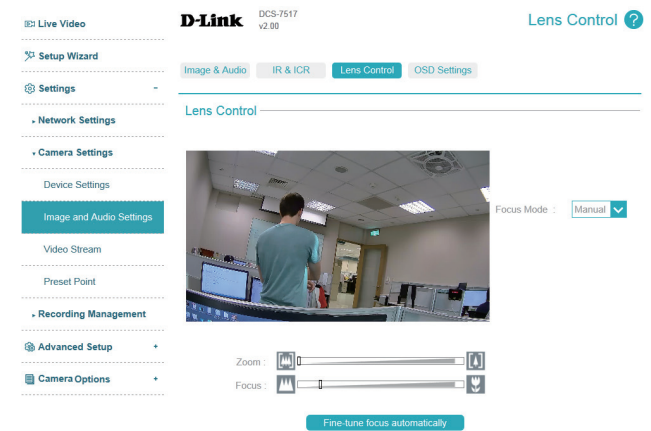


Lens Control

Focus Mode: Setting this to **Automatic** will allow the camera to automatically adjust its focus. Setting this to **Manual** will bring up the Focus slider, which you can use to manually adjust the camera focus.

Zoom: Click anywhere on the bar to adjust the camera zoom.

Focus: If the Focus Mode is set to Manual, this bar will appear. Click anywhere on the bar to adjust the camera focus, or click the **Fine-tune focus automatically** button to automatically adjust the focus.

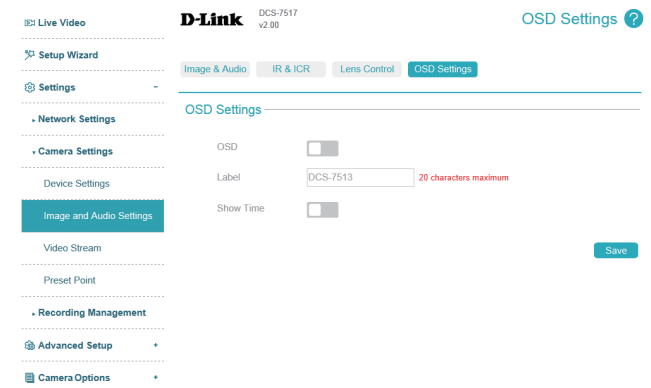


OSD Settings

OSD: Select this option to enable the On-Screen Display feature for your camera. This will allow some information to appear in the top-left corner of the camera's video.

Label: Enter a label for the camera, which will be shown on the OSD when it is enabled.

Show Time: Select this option to enable the time-stamp display on the video screen.



Video Stream

You may configure up to 3 video profiles with different settings for your camera. This allows you to set different settings for recording video and for viewing your video remotely, for example. After making any changes, click the **Save** button to save your changes.

Number of Active Profiles: You can have up to 3 active profiles to configure and use.

Aspect Ratio: Set whether you want your camera to use a 4:3 or 16:19 aspect ratio for its video. When changing this setting, you will need to redo setup for motion detection, privacy masks, and preset points.

Mode: Set the video codec to be used to **H.264** or **MJPEG**.

Frame Size: Select what frame size to use. Frame size determines the total capture resolution. Larger frame sizes provide more detail, but will require more bandwidth.

View Window Area: Select how large the view window should be. Setting it to be the same as your Frame Size will allow you to see the complete view of the camera. Setting a smaller view window will show a portion of the full camera view, and allows you to use ePTZ to move the camera view around and use preset points.

Maximum Frame Rate: You can set the maximum frame rate to be 1 fps to 30 fps. A higher frame rate provides smoother motion for videos and requires more bandwidth. Lower frame rates will result in stuttering motion and require less bandwidth.

Rate Control: This adjusts how the camera manages the quality and bandwidth usage of the camera.

- **VBR** - Variable Bit Rate will automatically change the bit rate based on the camera video's complexity. If the **Mode** is set to **MJPEG**, this will be the only choice available.
- **CBR** - Constant Bit Rate will use a fixed bit rate that you set.
- **CVBR** - Constrained Variable Bit Rate works like VBR, but lets you set a maximum bit rate.

Section 3: Configuration

Constant Bit Rate: If the **Rate Control** is set to **CBR**, you can set the bit rate to use for this video profile.

Max Bit Rate: If the **Rate Control** is set to **CVBR**, you can set the maximum bit rate this video profile can use.

Fixed Quality: Select the image quality level for the camera to try to maintain. High quality levels will result in increased bit rates and use more bandwidth.

Video Profile 1

Mode	<input type="text" value="H.264"/>
Frame Size	<input type="text" value="1920x1080"/>
View Window Area	<input type="text" value="1920x1080"/>
Maximum Frame Rate	<input type="range" value="30"/>
Rate Control	<input type="text" value="CBR"/>
Constant Bit Rate	<input type="text" value="6144"/> K bps [1024 ~ 15000]
Max Bit Rate	<input type="text" value="10000"/>
Fixed Quality	<input type="text" value="Excellent"/>

Preset Point

If your viewing window area is less than your frame size, you can use preset points to save specific camera positions (refer to **Video Stream** on page 47 for more details). You can also set a preset sequence for the camera to patrol through automatically. After making any changes, click the **Save** button to save your changes.

Video Profile: This selects which video profile to use.

ePTZ Speed: You can set how fast the camera will pan/tilt/zoom and auto pan.

Input Preset Name: To create a new preset, click and drag the red box in the live video to the position you want, enter the name of the preset you want to create, then click the **Add** button. If an existing preset has been selected from the Preset List, you can change its name by typing in a new name, then clicking the **Rename** button.

Preset List: Click this drop-down box to see a list of all the presets that have been created. You can select one, then click the **GoTo** button to change the displayed camera view to the preset. Clicking the **Remove** button will delete the currently selected preset.

Preset Sequence: This section allows you to create a preset sequence, which automatically moves the camera's view between a set of preset views. To add a preset to the sequence, select it from the drop-down box, then click the **Add** button. You can move the selected preset earlier or later in the sequence by clicking the arrow buttons, and you can remove a preset by selecting it and clicking the trashcan button. You can also set how many seconds the camera will stay at each position by setting the **Dwell Time** for each preset.

The screenshot displays the D-Link DCS-7517 v2.00 web interface. On the left is a navigation menu with options: Live Video, Setup Wizard, Settings, Network Settings, Camera Settings, Device Settings, Image and Audio Settings, Video Stream, Preset Point, Recording Management, Advanced Setup, and Camera Options. The main content area is titled 'Preset Point' and features a live video feed showing a room with a red bounding box. To the right of the video are dropdowns for 'Video Profile' (set to 1) and 'ePTZ Speed' (set to 5). Below the video is the 'Preset' section, which includes an 'Input Preset Name' field, 'Add' and 'Rename' buttons, a 'Preset List' dropdown (currently showing '-Preset List-'), and 'GoTo' and 'Remove' buttons. The 'Preset Sequence' section at the bottom includes a 'Preset Name' field (set to 'Dwell Time'), a visual sequence editor with up/down arrows and a trashcan icon, a 'Preset List' dropdown, and a 'Dwell Time' field (set to 10) with 'Add' and 'Update' buttons. A red warning message 'Support(0-9,A-Z,a-z,-,/,_)' is visible below the 'Update' button.

Recording Management Event Management

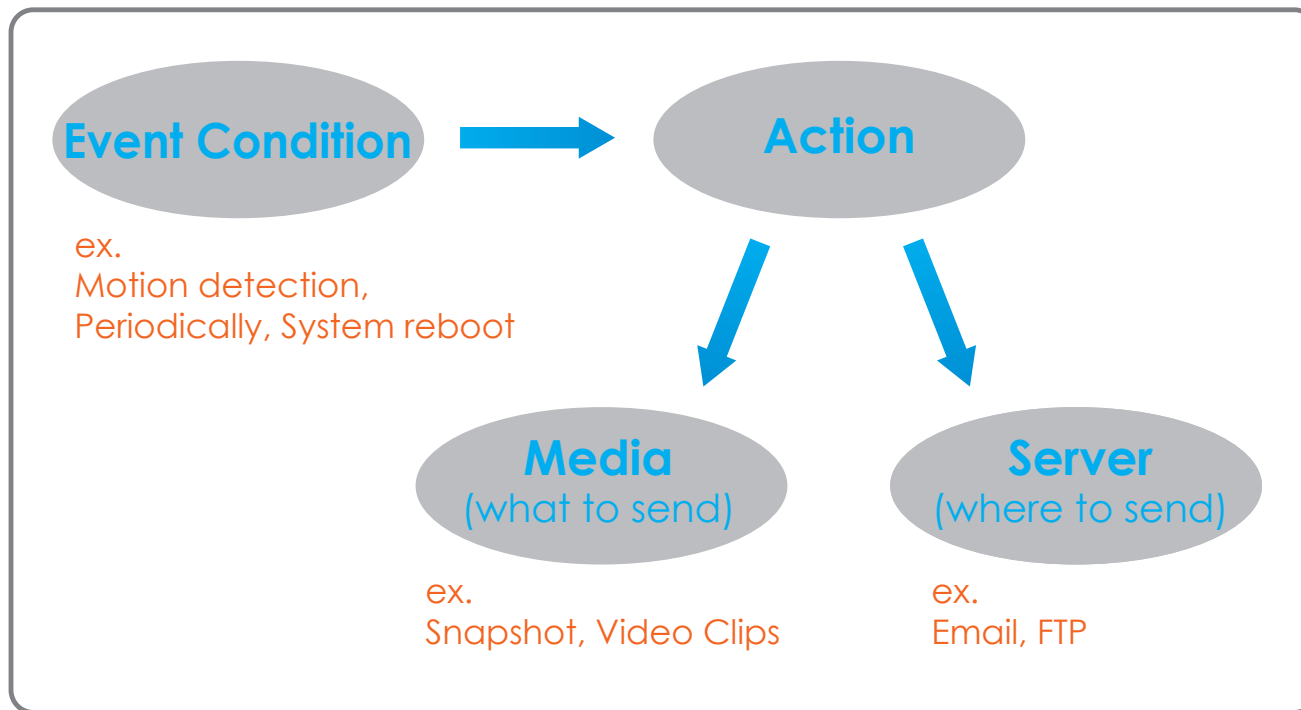
The DCS-7517 has a versatile Event system that lets you configure the camera to perform certain actions when an event occurs. For example, when motion is detected, you can have snapshots sent to an FTP server or e-mail address. You can also configure the camera to take regular video recordings according to a schedule you define.

Before setting up an event, you will need to specify the following:

- **Server:** This is a destination for media to be sent to, such as an e-mail address or FTP server.
- **Media:** This is the media that will be sent, such as snapshots, video clips, or a system log.

You can then set up Events and Recordings:

- **Event:** This is the actual trigger event that the camera is monitoring for, and the action that it will take. Event triggers include motion detection, loss of network connection, system reboot, and other events.
- **Recording:** This lets you set up a schedule for regular video recording.



Event MGMT

The Event Setup page includes 4 different sections.

- Server
- Media
- Event Settings
- Record

1. To add a new server, media, event, or recording item, click **Add**. A screen will appear and allow you to update the fields accordingly.
2. To delete the selected item from the server, media, event, or recording drop-down menus, click the **Delete** button next to it.
3. Click on the name if an item to edit it.

The screenshot shows the D-Link DCS-7517 v2.00 Event Management interface. The top navigation bar includes 'Event Management' and a help icon. Below the navigation bar are tabs for 'Event MGMT', 'SD Card', 'Privacy Mask', 'Motion', and 'Tamper'. The 'Event Setup' section is active, displaying a text box with instructions: 'There are four sections in Event Setup page. They are event, server, media and recording. Click Add to pop a window to add a new item of event, server, media or recording. Click Delete to delete the selected item from event, server, media or recording. Click on the item name to pop a window to edit it. There can be at most 3 events and 2 recording. There can be at most 8 server and 5 media configurations.'

The interface is divided into four main sections:

- Server:** A table with columns 'Name', 'Type', and 'Address/Location'. Below the table is an 'Add' button with a dropdown menu showing 'SD card slot' and a 'Delete' button.
- Media:** A table with columns 'Name', 'Type', and 'Source'. Below the table is an 'Add' button with a dropdown menu showing 'Snapshots' and a 'Delete' button.
- Event Settings:** A table with columns 'Name', 'Status', 'Sun', 'Mon', 'Tue', 'Wed', 'Thu', 'Fri', 'Sat', 'Time', and 'Trigger'. Below the table is an 'Add' button with a dropdown menu showing 'Motion detected' and a 'Delete' button.
- Record:** A table with columns 'Name', 'Status', 'Sun', 'Mon', 'Tue', 'Wed', 'Thu', 'Fri', 'Sat', 'Time', 'Source', and 'Destination'. Below the table is an 'Add' button with a dropdown menu showing 'Office Hours Recording' and a 'Delete' button.

Server

You can configure a server for each server type, and up to 5 FTP servers. After making any changes, click the **Save** button to save your changes.

Server Name: Enter the name for the server.

Email: If you want to use an e-mail address for your server, select this and enter the settings for your target e-mail account.

FTP: If you want to use an FTP server for your server, select this and enter the settings for your target FTP server.

Network Storage: If you want to use a network storage device for your server, select this and enter its settings here.

SD Card: If you want to use an inserted microSD card for your server, select this.

D-Link DCS-7517 v2.00 Event Management ?

Event Mgmt | SD Card | Privacy Mask | Motion | Tamper

Server Type

Server Name:

Email

Sender Email Address

Recipient Email Address

Server Address

User Name

Password

Port

StartTLS

FTP

Server Address

Port

Login Type

User Name

Password

Remote Folder Name

Passive Mode

Network Storage

Network Storage Location

(for example: //my_nas/disk/folder)

Workgroup

User Name

Password

Primary WINS Server

SD Card

Media

There are three types of media: **Snapshot**, **Video Clip**, and **System Log**. You can make a media entry for each type. After making any changes, click the **Save** button to save your changes.

Media Name: Enter a unique name for media type you want to create.

Snapshot: Select this option to set the media type to snapshots.

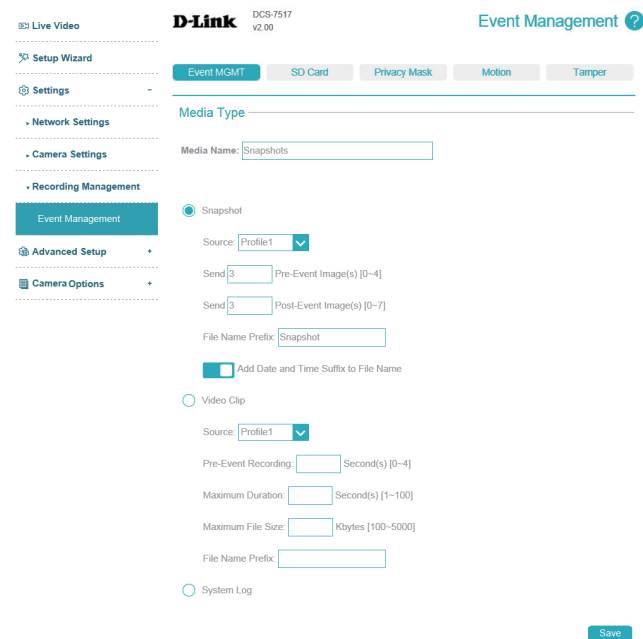
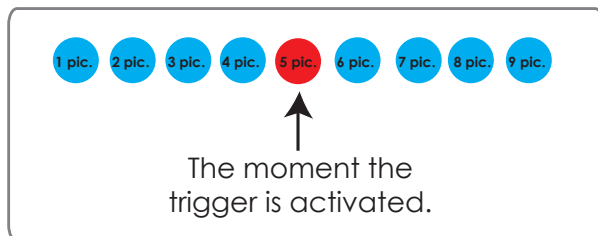
Source: Set the video profile to use as the media source. Refer to **Video Stream** on page 47 for more information on video profiles.

Send pre-event image(s) [0~4]: Set the number of pre-event images to take. Pre-event images are images taken before the main event snapshot is taken.

Send post-event image(s) [0~7]: Set the number of post-event images to take. Post-event images are images taken after the main event snapshot is taken. You can set up to 7 post-event images to be taken.

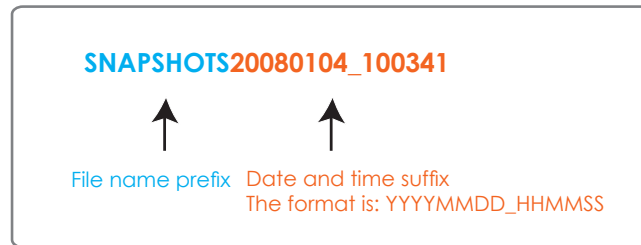
For example:

If both the Send pre-event images and Send post-event images are set to four, a total of 9 images are generated after a trigger is activated.



Section 3: Configuration

File name prefix: The prefix name will be added to the file name.



Add date and time suffix to file name: Enable this to add the date and time the snapshot was recorded as a file name suffix.

Video clip: Select this option to set the media type to video clips.

Source: Set the video profile to use as the media source. Refer to **Video Stream on page 47** for more information on video profiles.

Pre-event recording: This sets how many seconds to record before the main event video clip starts. You can record up to 4 seconds of pre-event video.

Maximum duration: Set the maximum length of video to record for your video clips.

Maximum file size: Set the maximum file size to record for your video clips.

File Name Prefix: This is the prefix that will be added to the filename of saved video clips.

System log: Select this option to set the media type to system logs. This will save the event to the camera system log, but will not record any snapshots or video.

Snapshot

Source: Profile1

Send 3 Pre-Event Image(s) [0-4]

Send 3 Post-Event Image(s) [0-7]

File Name Prefix: Snapshot

Add Date and Time Suffix to File Name

Video Clip

Source: Profile1

Pre-Event Recording: Second(s) [0-4]

Maximum Duration: Second(s) [1-100]

Maximum File Size: Kbytes [100-5000]

File Name Prefix:

System Log

Save

Event

Create and schedule up to three events with their own settings here. After making any changes, click the **Save** button to save your changes.

Event name: Enter a name for the event.

Enable this event: Toggle this to activate this event.

Priority: Set the priority for this event. Events with higher priority will be executed first.

Delay for...: Specify the delay time before allowing this event to be triggered again. This is used for both motion detection events and digital input triggers.

Trigger: Specify the input type that triggers the event.

Video Motion Detection: Selecting this will trigger the event when motion is detected during live video monitoring. Make sure you have enabled motion detection and specified what part of the image to monitor for motion. For more details, refer to **Motion** on page 61.

Periodic: Selecting this will trigger the event in specified intervals. The trigger interval unit is in minutes.

Digital Input: Selecting this will trigger an event when a signal is detected on the digital input of the DI/DO port.

System Boot: Selecting this will trigger an event when the system boots up.

Network Lost: Selecting this will trigger an event when the camera's connection to the network is lost.

Face Detection: Selecting this will trigger an event when a face is detected. For more details, refer to **Face** on page 62

Section 3: Configuration

Tamper Detection: Selecting this will trigger an event when tampering has been detected. For more details, refer to **Tamper** on page 63.

Event Schedule: Specify when you want to monitor for this event. Select which days to monitor for this event, then select **Always** or enter the time interval to monitor for the specified event.

Action: Select the actions you want the camera to do when the event happens. Select the Server to use, then choose the Media you want to save to it. Please note that you need to set up your Server and Media entries first. You can also send a signal on the digital output of the DI/DO port.

Trigger

Video Motion Detection

Periodic

Trigger Every Minutes

Digital Input

System Boot

Network Lost

Tamper Detection

Event Schedule

Sun Mon Tue Wed Thu Fri Sat

Time

Always

From To

Action

Trigger D/O for Seconds

SD card slot

Attached media:

Save

Recording

Here you can configure and schedule the recording settings. After making any changes, click the **Save** button to save your changes.

Recording Entry Name:

Enter a name for the recording.

Enable This Recording:

Select this to enable the recording function.

Priority:

Set the priority for this entry. An entry with a higher priority value will be executed first.

Source:

Select the video profile to use as the recording source.

Recording Schedule:

Use the checkboxes to set which days to record video on. Select Always to record for the entire day, or select From and select what period of time you want to record using the dropdown boxes.

Destination:

Select where the recording file will be stored. You should set up a Server entry for a network storage drive first.

Total cycling recording size:

Please input a HDD volume between 1 MB and 2 TB for recording space. The recording data will replace the oldest record when the total recording size exceeds this value. For example, if each recording file is 6 MB, and the total cyclical recording size is 600 MB, then the camera will record 100 files in the specified location (folder) and then will delete the oldest file and create new file for cyclical recording.

Please note that if the free HDD space is not enough, the recording will stop. Before you set up this option please make sure your HDD has enough space, and it is better to not save other files in the same folder as recording files.

Size of Each File for Recording:

If this is selected, files will be separated based on the file size you specify.

The screenshot shows the 'Event Management' configuration page for a D-Link DCS-7517 v2.00 camera. The page is divided into several sections:

- Event MGMT**: Includes tabs for SD Card, Privacy Mask, Motion, and Tamper.
- Recording**:
 - Recording Entry Name: Office Hours Recording
 - Enable This Recording:
 - Priority: normal
 - Source: Profile 1
- Recording Schedule**:
 - Days: Sun, Mon, Tue, Wed, Thu, Fri, Sat (all checked)
 - Time:
 - Always:
 - From: 08:00 To: 19:00 (selected)
- Recording Settings**:
 - Destination: SD
 - Total cycling recording size: 1000 Mbytes (200-2000000)
 - Size of Each File for Recording: 10 Mbytes (selected)
 - Time of Each File for Recording: 10 Seconds
 - File Name Prefix: OfficeHours

A **Save** button is located at the bottom right of the configuration area.

Section 3: Configuration

Time of Each File for Recording: If this is selected, files will be separated based on the maximum length you specify.

File Name Prefix: The prefix name will be added to the file name of the recording file(s).

Recording Settings

Destination:

Total cycling recording size: Mbytes [200-2000000]

Size of Each File for Recording: Mbytes

Time of Each File for Recording: Seconds

File Name Prefix:

Save

SD Card

Here you may browse and manage the recorded files which are stored on the microSD card. Video is stored in the **Video** folder, and snapshots are stored in the **Picture** folder. You can play video and view snapshots by clicking on the appropriate folders, then clicking on the file you want to view.

Keep free space: It means free space in storage. Camera will not use this space to save any video or snapshot files.

Cyclic: Oldest files will be deleted when the system need to more storage space.

Files Per Page: Use the drop-down menu to specify how many files to show per page. To change pages, use the drop-down menu on the right.

Refresh: Click this to refresh the file and folder information from the microSD card.

Format: Click this button to automatically format the microSD card and create the Video and Picture folders.

Deleting Files and Folders: To delete files and folders, click on the checkbox next to the files or folders you want to delete, then click the **OK** button.

The screenshot shows the 'SD Card' configuration page in the D-Link DCS-7517 Event Management interface. The page includes a sidebar with navigation options: Live Video, Setup Wizard, Settings, Network Settings, Camera Settings, Recording Management (selected), Event Management, Advanced Setup, and Camera Options. The main content area shows the SD Card status as 'ready' and includes the following settings:

- Keep Free Space: MB (minimum is 200 MB)
- Cyclic
- Files per Page: Refresh

Below the settings is a table with columns: Delete, File, Number of Files, and Size.

Delete	File	Number of Files	Size
<input type="checkbox"/>	Picture	1	
<input type="checkbox"/>	Video	2	

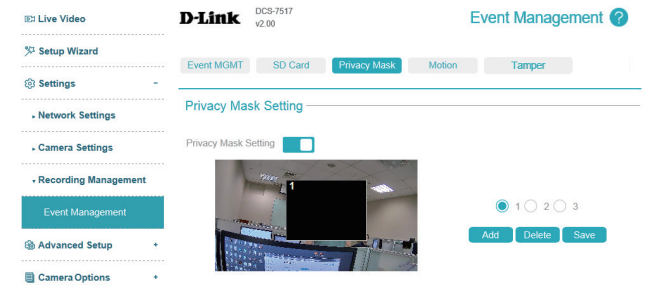
At the bottom, there is a 'Format' button and a status bar showing 'Total: 1952024, Used: 1300, Free: 1950724' and an 'OK' button.

Privacy Mask

The Privacy Mask setting allows you to define up to 3 rectangular areas on the camera's image to be blocked/excluded from recordings and snapshots.

Defining Privacy Mask Windows: To add a privacy mask window, click the **Add** button. A privacy mask window will appear in the top-left corner of the live video. After moving and resizing the window how you wish, click **Save** to save your changes.

To modify an existing privacy mask window, click on the button next to the window's number, then move and resize it as you wish. You can delete the window by clicking the **Delete** button.



Motion

Motion detection enables the camera to monitor the video feed for movement. Here, you can adjust the sensitivity settings that determine whether motion is detected by the camera or not. After making any changes, click the **Save** button to save your changes.

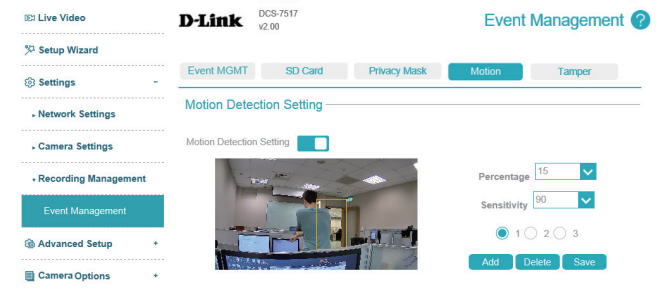
Motion Detection Setting: Enable this to enable the motion detection feature of your camera. Please note that you must create at least one motion detection window for the camera to detect motion.

Percentage: Set how much of the area being monitored for motion must change for motion to be detected. A low percentage means that only part of the area being monitored has to change to detect motion, and a high percentage means that most of the area needs to change to detect motion.

Low percentages can be useful when monitoring an area such as a large room, and high percentages can be useful when you are only monitoring a specific part of the camera's view, such as a doorway.

Sensitivity: Set how sensitive motion detection will be from 0% to 100%. A low sensitivity means that there must be large changes between two images in order to detect motion, and a high sensitivity means that even small changes will cause motion to be detected.

Low sensitivities may be useful when monitoring an area that has flickering lights or a window to the outside in view. High sensitivities may be useful when monitoring an area that rarely changes, such as a storeroom or warehouse.



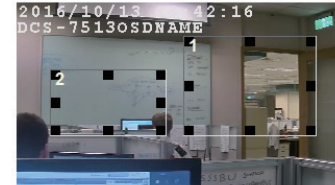
Section 3: Configuration

Defining Motion You can define up to 3 rectangular areas to monitor for motion.

Detection

Windows: To add a motion detection window, click the **Add** button. A motion detection window will appear in the top-left corner of the live video. After moving and resizing the window how you wish, click **Save** to save your changes.

To modify an existing motion detection window, click on the button next to the window's number, then move and resize it as you wish. You can delete the window by clicking the **Delete** button.



Percentage ▼

Sensitivity ▼

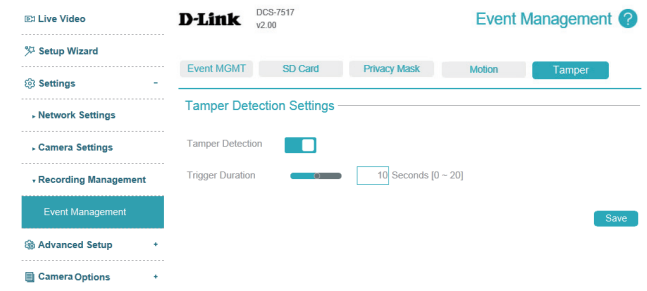
1 2 3

Tamper

With tamper detection, the camera is capable of detecting incidents such as redirection, blocking or de-focusing, or even spray paint. After making any changes, click the **Save** button to save your changes.

Tamper Detection: Enable this to use tamper detection.

Trigger Duration: Enter the tamper trigger duration in seconds. The tamper alarm will be triggered only when there is a substantial change in the camera's view for longer than the trigger duration specified.



Advanced Setup

Advanced UPnP

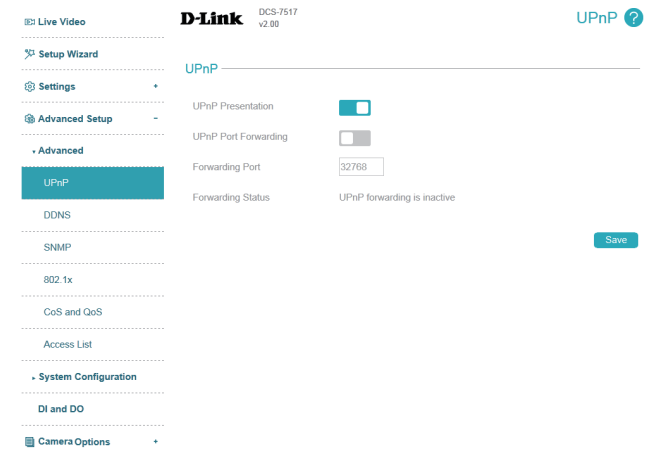
Enabling Video Motion will allow your camera to use UPnP to automatically set up port forwarding on your router. After making any changes, click the **Save** button to save your changes.

Enable UPnP Presentation: Enabling this setting allows your camera to be configured as a UPnP device on your network.

Enable UPnP Port Forwarding: Enabling this setting allows the camera to add port forwarding entries into the router automatically on a UPnP capable network.

Forwarding Port: If UPnP Port Forwarding is enabled, you can set which port to use for forwarding.

Forwarding Status: If UPnP Port Forwarding is enabled, this will show the UPnP Port Forwarding status.



DDNS

DDNS allows you to access your camera using a domain name instead of an IP address. To do this, you will need to have an account with one of the DDNS services listed in the drop-down box on this page. After making any changes, click the **Save** button to save your changes.

DDNS: Check this box to enable the DDNS function.

Server Address: Enter your DDNS server address, or select a service from the drop-down menu.

Host Name: Enter the host name of the DDNS server.

User Name: Enter the username or e-mail address used to connect to the DDNS server.

Password: Enter the password used to connect to the DDNS server.

Timeout: You can set up how often the camera notifies the DDNS server of its current global IP address by entering a whole number in hours.

Status: This shows the current status of your DDNS updates.

The screenshot shows the DDNS configuration interface for a D-Link DCS-7517 v2.00 camera. The interface includes a sidebar with navigation options: Live Video, Setup Wizard, Settings, Advanced Setup, DDNS (selected), UPnP, SNMP, 802.1x, CoS and QoS, Access List, System Configuration, DI and DO, and Camera Options. The main content area is titled 'DDNS' and features a toggle switch to enable the function. Below the toggle, there is a dropdown menu for selecting a DDNS service, with 'www.dlinkddns.com' selected. The 'Server Address' field is populated with 'www.dlinkddns.com'. Other fields include 'Host Name', 'User Name', 'Password', 'Verify Password', and 'Timeout' (set to 24 hours). The 'Status' is currently 'Inactive'. A 'Save' button is located at the bottom right of the configuration area.

SNMP

Here you can set the SNMP settings for the camera, which allow for SNMP management of the camera. After making any changes, click the **Save** button to save your changes.

Enable SNMPv1, SNMPv2c: Enable this option to allow for SNMPv1 and SNMPv2c management of the camera.

Read/Write Community: Enter a name for the read/write community of your SNMP server.

Read Only Community: Enter a name for the read-only community of your SNMP server.

Enable SNMPv3: Enable this option to allow SNMPv3 management of the camera.

Read/Write Security Name: Enter a name for the read/write community of your read/write SNMP server.

Authentication Type: Enter the type of authentication used by your read/write SNMP server.

Authentication Password: Enter the authentication password used for your read/write SNMP server.

Encryption Password: Enter the encryption password used for your read/write SNMP server.

Read Only Security Name: Enter a name for the read-only community of your read-only SNMP server.

The screenshot displays the 'SNMP Configuration' page in the D-Link DCS-7517 v2.00 web interface. The left sidebar contains a navigation menu with options: Live Video, Setup Wizard, Settings, Advanced Setup, Camera Configuration, and Camera Options. The main content area is titled 'SNMP Configuration' and features several configuration fields:

- Enable SNMPv1, SNMPv2c:** A toggle switch that is currently turned off.
- Read/Write Community:** A text input field containing 'write_00012A'.
- Read-Only Community:** A text input field containing 'public_00012A'.
- Enable SNMPv3:** A toggle switch that is currently turned off.
- Read/Write Security Name:** An empty text input field.
- Authentication Type:** A dropdown menu set to 'MDS'.
- Authentication Password:** An empty password input field.
- Encryption Password:** An empty password input field.
- Read-Only Security Name:** An empty text input field.
- Authentication Type:** A dropdown menu set to 'MDS'.
- Authentication Password:** An empty password input field.
- Encryption Password:** An empty password input field.
- Traps:** A toggle switch that is currently turned off.
- Trap address:** An empty text input field.
- Trap community:** An empty text input field.
- Trap address 2:** An empty text input field.
- Trap community 2:** An empty text input field.

A blue 'Save' button is located at the bottom right of the configuration area.

Section 3: Configuration

Authentication Type: Enter the type of authentication used by your read-only SNMP server.

Authentication Password: Enter the authentication password used for your read-only SNMP server.

Encryption Password: Enter the encryption password used for your read-only SNMP server.

Traps: Enable SNMP traps support of the camera.

Trap address: Enter IP address of SNMP server where the trap message will be sent.

Trap community: Enter a name for trap community.

Trap address 2: Enter IP address of SNMP server where the trap message will be sent.

Trap community 2: Enter a name for trap community.

The screenshot shows the D-Link DCS-7517 v2.00 web interface. The left sidebar contains a navigation menu with the following items: Live Video, Setup Wizard, Settings, Advanced Setup, Advanced, UPnP, DDNS, SNMP (highlighted), 802.1x, CoS and QoS, Access List, Camera Configuration, DI and DO, and Camera Options. The main content area is titled 'SNMP Configuration' and contains the following settings:

- Enable SNMPv1, SNMPv2c:
- Read/Write Community: write_00012A
- Read-Only Community: public_00012A
- Enable SNMPv3:
- Read/Write Security Name:
- Authentication Type: MD5
- Authentication Password:
- Encryption Password:
- Read Only Security Name:
- Authentication Type: MD5
- Authentication Password:
- Encryption Password:
- Traps:
- Trap address:
- Trap community:
- Trap address 2:
- Trap community 2:

A 'Save' button is located at the bottom right of the configuration area.

802.1x

This page lets you set up 802.1x authentication for your camera. Your network devices, intermediary switches, and RADIUS server must support and enable 802.1x. After making any changes, click the **Save** button to save your changes.

IEEE 802.1x: Enable this to use IEEE 802.1x authentication.

EAP Type: Select the EAP type used by your 802.1x server.

Identity: Enter the identity issued by your certificate authority.

Password: Enter the password issued by your certificate authority.

CA Certificate: Click **Browse...** and select your CA certificate file on your computer, then click the **Upload** button to upload it to the camera.

Status: This will show information about the current CA certificate that was uploaded to the camera. To remove the CA certificate, click the **Delete** button.

The screenshot displays the D-Link DCS-7517 v2.00 web interface. The top right corner shows the model name and version, along with a '802.1x' help icon. The left sidebar contains a navigation menu with items like 'Live Video', 'Setup Wizard', 'Settings', 'Advanced Setup', 'Advanced', 'UPnP', 'DDNS', 'SNMP', '802.1x' (highlighted), 'CoS and QoS', 'Access List', 'System Configuration', 'DI and DO', and 'Camera Options'. The main content area is titled 'IEEE 802.1x' and features a configuration form. At the top of the form is a toggle switch for 'IEEE 802.1x'. Below it is a dropdown menu for 'EAP Type' currently set to 'EAP-PEAP'. There are two input fields for 'Identity' and 'Password'. The 'CA Certificate' section includes a 'Browse...' button and an 'Upload' button. The 'Status' section shows a 'Delete' button and the text 'no file'. A 'Save' button is positioned at the bottom right of the configuration area.

CoS and QoS

CoS and QoS allow you to prioritize surveillance traffic on your network to ensure that your cameras can stream video smoothly and remain accessible even when there is heavy traffic on your network. Your network must support CoS or QoS in order to use them. After making any changes, click the **Save** button to save your changes.

Enable CoS: Enabling the Class of Service setting implements a best-effort policy to prioritize traffic without making any bandwidth reservations.

To use CoS, enable it, enter the VLAN ID to use for the camera, and set the priority for your **Live Video**, **Live Audio**, **Event/Alarm**, and **Management** camera traffic.

Enable QoS: Enabling QoS allows you to specify a traffic priority policy to ensure a consistent Quality of Service during busy periods. If the Network Camera is connected to a router that itself implements QoS, the router's settings will override the QoS settings of the camera.

To use CoS, enable it and set the priority for your **Live Video**, **Live Audio**, **Event/Alarm**, and **Management** camera traffic.

The screenshot displays the configuration page for a D-Link DCS-7517 v2.00 camera. The left sidebar contains a navigation menu with the following items: Live Video, Setup Wizard, Settings, Advanced Setup, Advanced, UPnP, DDNS, SNMP, 802.1x, CoS and QoS (highlighted in blue), Access List, System Configuration, DI and DO, and Camera Options. The main content area is titled 'CoS and QoS' and is divided into two sections: 'CoS Settings' and 'QoS Settings'. In the 'CoS Settings' section, the 'CoS' checkbox is checked, and the 'VLAN ID' is set to 0. Below this, there are four sliders for 'Live Video', 'Live Audio', 'Event/Alarm', and 'Management', each with a corresponding input box set to 0. The 'QoS Settings' section also has a checked 'QoS' checkbox and the same four sliders and input boxes, all set to 0. A 'Save' button is located at the bottom right of the interface.

Access List

Here you can define which IP addresses are allowed to view your DCS-7517. You can set up to 7 IP address ranges for both the allow and deny lists.

Allow List: The section lets you define what IP addresses have access rights to the camera.

Note: When adding entries to the Allow list, make sure the first entry includes the IP address of the computer or device you are using to access the camera. Otherwise, you may be blocked from accessing the camera after adding the entry to the Allow list.

Start IP Address: The starting IP address of the IP address range for the devices (such as a computer) that have permission to access the video of the camera.

End IP Address: The ending IP address of the IP address range for the devices (such as a computer) that have permission to access the video of the camera. Click **Add** to save your changes.

Delete Allow List: Select an entry to remove from the Allow List, then click **Delete**.

Deny List: The list of IP addresses that have no access rights to the camera.

Start IP Address: The starting IP address of the IP address range for the devices (such as a computer) that will be denied access to the camera.

End IP Address: The ending IP address of the IP address range for the devices (such as a computer) that will be denied access to the camera. Click **Add** to save your changes.

Delete Deny List: Select an entry to remove from the Deny List, then click **Delete**.

Note: All addresses in the Deny List will be denied access, even if they are also in the Allow List.

The screenshot shows the 'Access List' configuration page for a D-Link DCS-7517 camera. The page is organized into two main sections: 'Allow List' and 'Deny List'. Each section contains three input fields: 'Start IP Address', 'End IP Address', and a 'Delete' button. The 'Allow List' section also includes a 'Delete Allow List' button, and the 'Deny List' section includes a 'Delete Deny List' button. The 'Add' buttons are located to the right of the 'End IP Address' fields. The interface features a left-hand navigation menu with various settings options, and the top right corner displays the D-Link logo, the device model 'DCS-7517 v2.00', and an 'Access List' help icon.

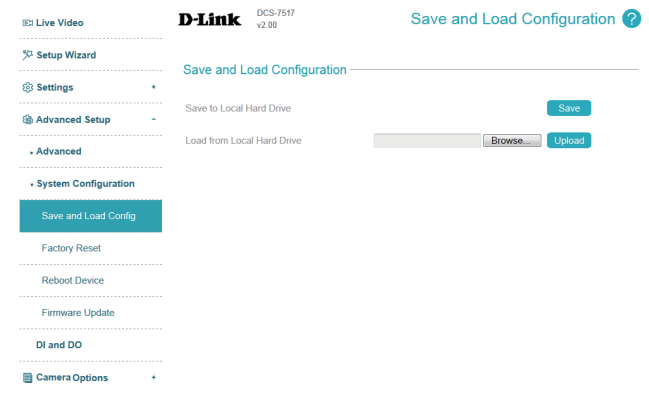
System Configuration

Save and Load Configuration

In this section, you may back up or restore the camera configuration.

Save To Local Hard Drive: You may save your current camera configuration as a file on your computer.

Load From Local Hard Drive: Locate a pre-saved configuration by clicking **Browse** and then restore the pre-defined settings to your camera by clicking **Upload**.

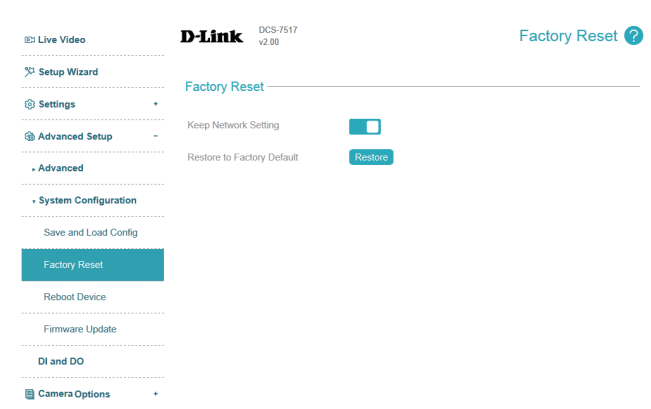


Factory Reset

Here you can reset the camera configuration back to the factory defaults.

Keep Network Setting: Enabling this option will allow you to keep your network settings when resetting your camera to the factory defaults.

Restore to Factory Default: You may reset your camera and restore the factory settings by clicking **Restore**.

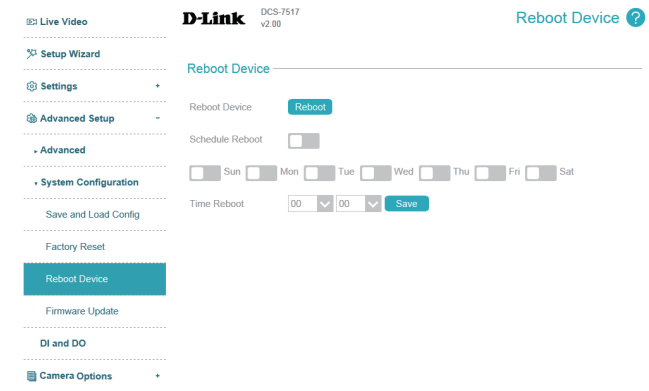


Reboot Device

Here you can reboot the camera, or set a schedule to reboot the camera automatically.

Reboot Device: This will restart your camera.

Schedule Reboot: If you want your camera to reboot on a regular schedule, enable this option, then select the days and time you want the camera to reboot on and click the **Save** button.

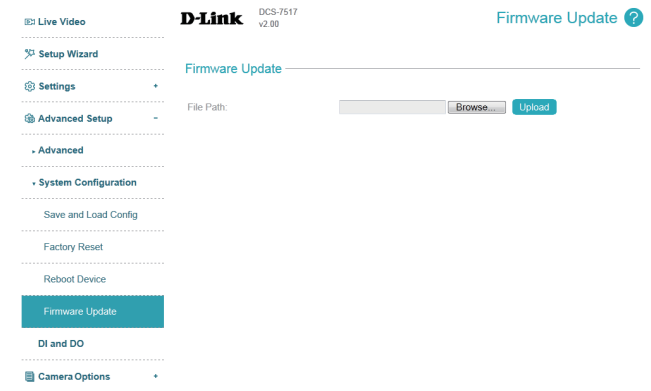


Firmware Update

Here you can update the camera's firmware. The current version of the firmware is shown next to the D-Link logo at the top of the page.

File Path: To update the firmware, select a firmware file to use from your hard drive by clicking **Browse...**, then click the **Upload** button.

Note: While the firmware is being update, do not close the web browser or disconnect your camera's power or network connection until the update is complete.

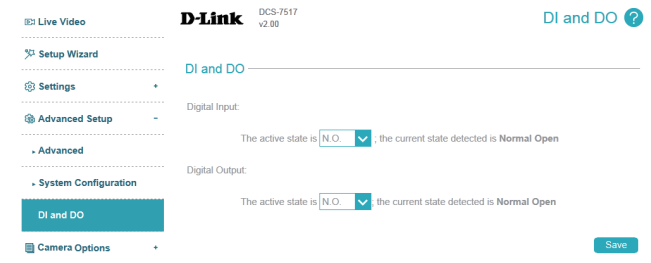


DI and DO

This screen allows you to control the behavior of digital input and digital output devices. The I/O connector provides the physical interface for digital output (DO) and digital input (DI) that is used for connecting a variety of external alarm devices such as IR-Sensors and alarm relays. The digital input is used for connecting external alarm devices and once triggered images will be taken and e-mailed. After making any changes, click the **Save** button to save your changes.

Digital Input / Digital Output: The camera will send a signal when an event is triggered. You can use the drop-down boxes to select whether the camera will use **N.C.** or **N.O.** to detect a signal on the digital input or to send a signal on the digital output.

- **N.C.** stands for Normally Closed. This means that the normal state of the circuit is closed. Therefore events are triggered when the device status changes to "Open."
- **N.O.** stands for Normally Open. This means that the normal state of the circuit is open. Therefore events are triggered when the device status changes to "Closed."



Camera Options

Device Info

This page displays detailed information about your camera, the services running on your camera, and active video streams.

- Live Video
- Setup Wizard
- Settings
- Advanced Setup
- Camera Options
- Camera Info
- Time
- Administration Settings
- Camera Log

D-Link DCS-7517 v2.00
Camera Info ?

Camera Information

IP Address: 168.168.11.34
 Link Local Address: 169.254.66.240
 PPPoE Address:
 Camera Name: DCS-7517
 Firmware Version: v2.00.01
 Firmware Date: Wed, 24 May 2017 17:23:27 GMT
 MAC Address: 80:C5:54:00:01:25
 Hardware Version: B
 Connected Client(s): 0

Time & Date

Time & Date: Thu, 15 Jun 2017 18:04:56 GMT

Service Status

Service	Enable/Disable	Protocol	Server Port
HTTP	Enable	TCP	80
Secondary HTTP	Disable	TCP	-
HTTPS	Enable	TCP	443
RTSP	Enable	TCP	554
UPnP Presentation	Enable	-	-
UPnP Port forwarding	Enable	-	-
802.1x	Enable	-	-
CoS	Disable	-	-
QoS/DSCP	Disable	-	-
DDNS	Disable	-	-
Access List	Disable	-	-
Access List	Disable	-	-

Stream Status

Stream Number	Codec/Type	Resolution	Max Frame Rate	Bit Rate/Quality
Stream 1	H264	2560x1944	25	10000/80
Stream 2	H265	2560x1944	25	5000/80
Stream 3	H264	640x480	25	1024/80

System Time Time Settings

This section allows you set the time zone and Daylight Saving settings for your camera.

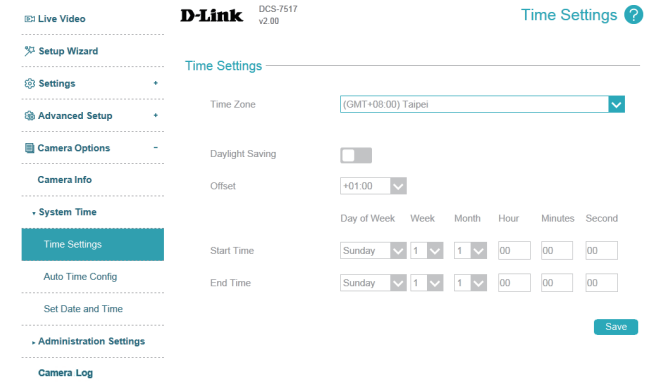
Time Zone: Select your time zone from the drop-down menu.

Daylight Saving: If your region uses Daylight Saving time, you can enable it here. Select Set date and time manually if you want to manually set the offset and the period of time that the Daylight Saving correction should be used.

Offset: Enter the offset that should be used when Daylight Saving is being used.

Start Time: Set the date and time that Daylight Saving should start.

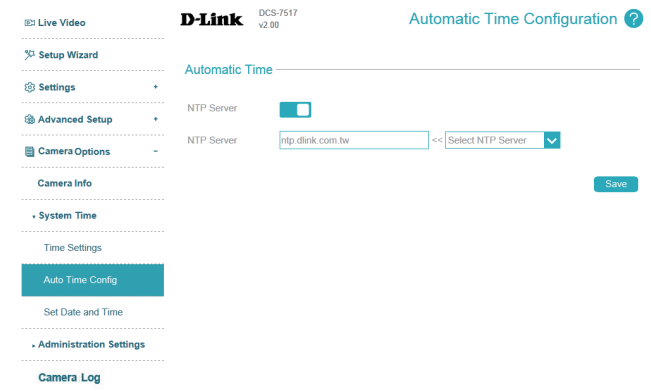
End Time: Set the date and time that Daylight Saving should end.



Auto Time Config

This section lets you set your camera's date and time automatically by using an NTP server.

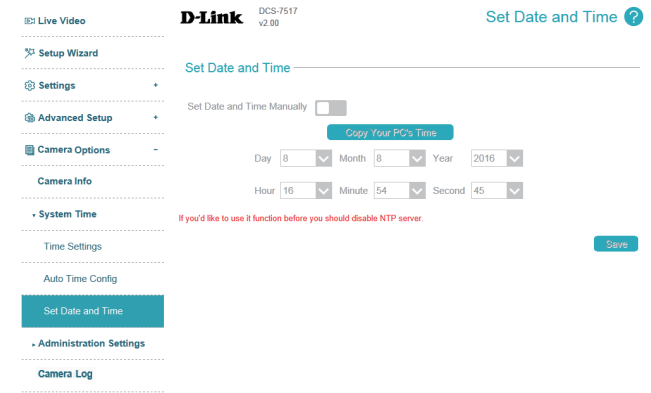
NTP Server: Enable this option to set your camera's time using an NTP server, then select an NTP server to use from the drop-down box.



Set Date and Time

This section lets you manually set your camera's date and time. If you have **NTP Server** enabled in **Auto Time Config**, you will need to disable it before setting the date and time manually.

Set Date and Time Manually: Enable this option to set your camera's time using an NTP server, then select an NTP server to use from the drop-down box.



Administration Settings

Admin Password

Here, you may modify the administrator's password for your camera.

New Password / Retype Password: Set a new password for the administrator's account.

The screenshot displays the D-Link DCS-7517 v2.00 web interface. On the left is a sidebar menu with the following items: Live Video, Setup Wizard, Settings, Advanced Setup, Camera Options, Camera Info, System Time, Administration Settings (highlighted in blue), User Accounts, User List, and Camera Log. The main content area is titled 'Admin Password Setting' and contains two input fields: 'New Password' and 'Retype Password'. The 'New Password' field has a red error message '63 characters maximum'. A 'Save' button is located to the right of the 'Retype Password' field.

User Accounts

Here, you may add user accounts for accessing the camera. User accounts are allowed to access the Live Video page, but cannot access any of the camera's configuration pages.

User Name: Enter a user name for the user you wish to create.

New Password / Retype Password: Enter a password for the user you wish to create.

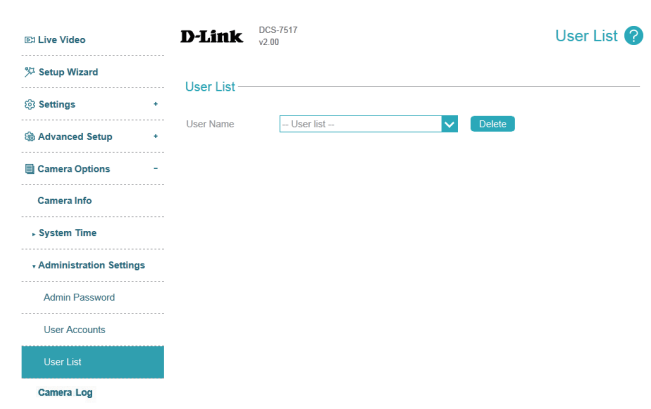
The screenshot displays the 'User Accounts' configuration interface for a D-Link DCS-7517 camera. On the left, a sidebar lists various system settings, with 'User Accounts' highlighted. The main area is titled 'Add User Account' and features three input fields: 'User Name' (limited to 20 users), 'New Password' (limited to 63 characters), and 'Retype Password'. An 'Add' button is positioned to the right of the 'Retype Password' field. The interface also shows the 'D-Link' logo and version information (DCS-7517 v2.00) at the top.

User List

Here, you may manage the user accounts for accessing the camera.

User Name: If you want to change a user's password, select a user from the drop-down box, enter the new password, then click the **Modify** button.

If you want to remove a user from the user list, select a user from the drop-down box, then click the **Delete** button.



Camera Log

This page displays the log information of your camera. You may download the information by clicking **Download**. You may also click **Clear** to delete the saved log information.

D-Link DCS-7517 v2.00

Camera Log ?

Live Video

Setup Wizard

Settings +

Advanced Setup +

Camera Options -

Camera Info

Time

Administration Settings

Camera Log

Camera Log

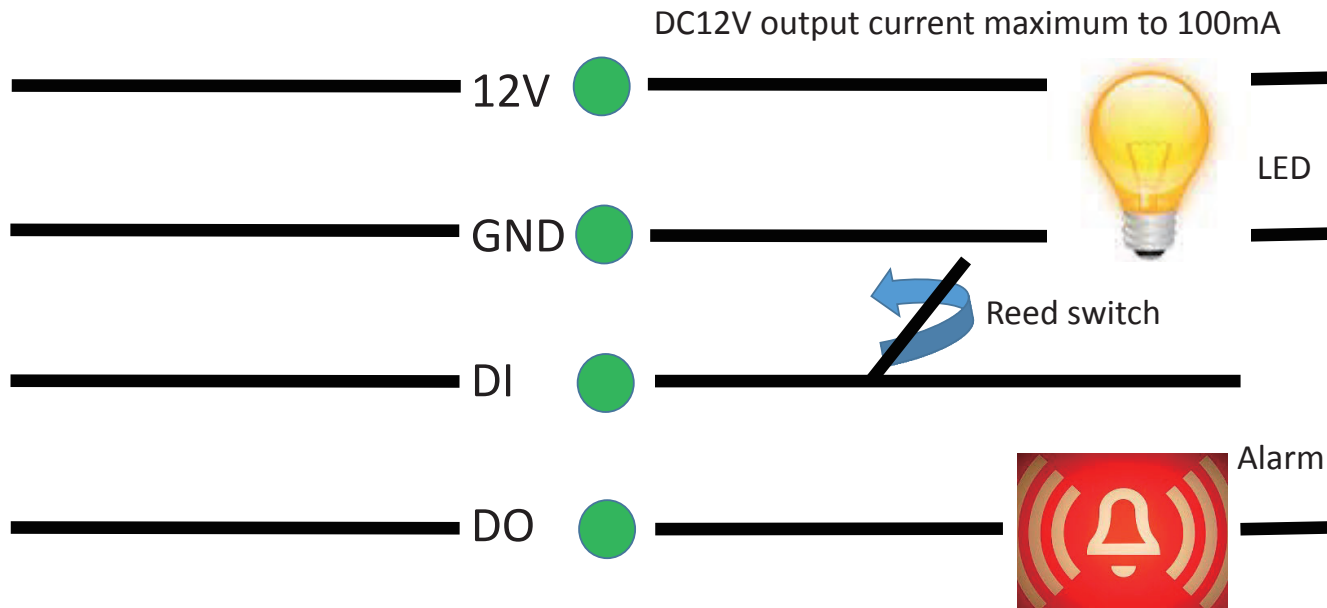
```

Jun 15 18:06:19 DCS-7517 user.err httpd: timeout 8 0
Jun 15 18:01:31 DCS-7517 user.err httpd: timeout 8 0
Jun 15 18:00:55 DCS-7517 user.err httpd: timeout 8 0
Jun 15 18:00:31 DCS-7517 user.err httpd: timeout 8 0
Jun 15 17:59:37 DCS-7517 user.err httpd: timeout 8 0
Jun 15 17:58:52 DCS-7517 user.info event: System: Alarm Info - Camera Tamper
Jun 15 17:58:50 DCS-7517 user.info Venc: profile[0] running 0
Jun 15 17:58:50 DCS-7517 user.err aenc: callnum[204] running 0
Jun 15 17:58:50 DCS-7517 user.debug rtsp-svr: session count 0
Jun 15 17:58:50 DCS-7517 user.debug rtsp-svr: tearing down rtsp://168.168.11
Jun 15 17:58:50 DCS-7517 user.debug rtsp-svr: client (168.168.11.14) request
Jun 15 17:58:45 DCS-7517 user.info Venc: profile[0] running 1
Jun 15 17:58:45 DCS-7517 user.err aenc: callnum[204] running 1
Jun 15 17:58:45 DCS-7517 user.debug rtsp-svr: session count 1
Jun 15 17:58:45 DCS-7517 user.debug rtsp-svr: client (168.168.11.14) request
Jun 15 17:58:45 DCS-7517 user.debug rtsp-svr: client (168.168.11.14) request
Jun 15 17:58:44 DCS-7517 user.debug rtsp-svr: client (168.168.11.14) request
Jun 15 17:58:44 DCS-7517 user.debug rtsp-svr: vindex=0, audio=1, aformat=401
Jun 15 17:58:44 DCS-7517 user.info Venc: send video index = 0 to clinet, fd=
Jun 15 17:58:44 DCS-7517 user.info Venc: profile[0] running 0
Jun 15 17:58:44 DCS-7517 user.info Venc: setup client info: index=0, videoId
Jun 15 17:58:44 DCS-7517 user.info Venc: stream channel=0, audio=1
Jun 15 17:58:44 DCS-7517 user.info Venc: ==> vencChn_0 update fps = 25
Jun 15 17:58:44 DCS-7517 user.info Venc: h264 vbr.
Jun 15 17:58:44 DCS-7517 user.info Venc: h264 vbr.
Jun 15 17:58:44 DCS-7517 user.debug rtsp-svr: describing streams under 'rtsp
Jun 15 17:58:44 DCS-7517 user.debug rtsp-svr: client (168.168.11.14) request
Jun 15 17:58:44 DCS-7517 user.debug rtsp-svr: client (168.168.11.14) request
Jun 15 17:58:44 DCS-7517 user.debug rtsp-svr: Handle RTSP command
Jun 15 17:58:44 DCS-7517 user.debug rtsp-svr: RTSP-HTTP tunnel established f
Jun 15 17:58:44 DCS-7517 user.debug rtsp-svr: client (168.168.11.14) request
Jun 15 17:58:44 DCS-7517 user.debug rtsp-svr: processing RTSP-HTTP tunnel GE
Jun 15 17:58:44 DCS-7517 user.debug rtsp-svr: client (168.168.11.14) request
Jun 15 17:58:44 DCS-7517 user.debug rtsp-svr: client (168.168.11.14) request
Jun 15 17:58:44 DCS-7517 user.debug rtsp-svr: client (168.168.11.14) request
Jun 15 17:58:44 DCS-7517 user.err httpd: timeout 7 0

```

Clear
Download

DI/DO Specifications




Technical Specifications

Camera		
Camera Hardware Profile	<ul style="list-style-type: none"> • 1/2.9" megapixel CMOS sensor • 30 meter smart IR illumination distance • Built-in Infrared-Cut Removable (ICR) Filter module • Minimum illumination: <ul style="list-style-type: none"> • 0.01 lux Color mode • 0.008 lux Black and White mode • 0 lux Black and White mode with IR LED on • Minimum object distance 0.5 m 	<ul style="list-style-type: none"> • 2.8 to 12 mm motorized zoom varifocal DC iris lens • Aperture F1.4 • Angle of view (4:3) <ul style="list-style-type: none"> • (H) 75° to 24° • (V) 55° to 18° • (D) 96° to 30° • Shutter Speed: 1/2 to 1/10,000 • 10x digital zoom
Camera Housing	<ul style="list-style-type: none"> • IP68 compliant weatherproof housing 	<ul style="list-style-type: none"> • Included sunshield
Image Features	<ul style="list-style-type: none"> • Configurable image size, quality, frame rate, and bit rate • Time stamp and text overlays • 3 configurable motion detection windows • Tamper detection 	<ul style="list-style-type: none"> • Configurable privacy mask zones • Configurable exposure, brightness, saturation, contrast, sharpness, white balance, WDR, de-noise, flip and mirror • Digital Image Stabilization (DIS)
Video Compression	<ul style="list-style-type: none"> • Simultaneous H.265/H.264/MJPEG format compression • H.264/H.265 multicast streaming 	<ul style="list-style-type: none"> • JPEG for still images
Video Resolution	<ul style="list-style-type: none"> • 16:9 1920 x 1080, 1280 x 720, 720 x 576, 540 x 360, 320 x 180 at up to 30 fps 	<ul style="list-style-type: none"> • 4:3 - 2592 x 1944, 1280 x 960, 800 x 600, 640 x 480, 320 x 240 up to 30 fps
Audio Support	<ul style="list-style-type: none"> • AAC 	<ul style="list-style-type: none"> • G.711
External Device Interfaces	<ul style="list-style-type: none"> • 10/100 BASE-TX Ethernet port with PoE (Class 3) • 1 DI / 1 DO • Reset button 	<ul style="list-style-type: none"> • microSD card slot (SD/SDHC/SDXC) • Audio input / output
Network		
Network Protocols	<ul style="list-style-type: none"> • IPv6 • IPv4 • TCP/IP • UDP • ICMP • DHCP client • NTP client (D-Link) • DNS client • DDNS client (D-Link) • SMTP client • FTP client • Bonjour 	<ul style="list-style-type: none"> • HTTP / HTTPS • Samba client • PPPoE • UPnP port forwarding • RTP / RTSP/ RTCP • IP filtering • QoS • CoS • Multicast • ONVIF compliant • SNMP
Security	<ul style="list-style-type: none"> • IEEE 802.1X • Administrator and user group protection 	<ul style="list-style-type: none"> • HTTP and RTSP authentication • Password authentication

System Management		
Event Management	<ul style="list-style-type: none"> • Motion detection • Tamper detection • Event notification and uploading of snapshots/video clips via e-mail or FTP 	<ul style="list-style-type: none"> • Supports multiple HTTP, SMTP, and FTP servers • Multiple event notifications • Multiple recording methods for easy backup
Remote Management	<ul style="list-style-type: none"> • Take snapshots/video clips and save to local hard drive 	<ul style="list-style-type: none"> • Configuration interface accessible via web browser
System Requirements for Web Interface	<ul style="list-style-type: none"> • Operating System: Windows 10/8/7 	<ul style="list-style-type: none"> • Browser: Internet Explorer, Chrome, or Firefox
D-ViewCam™ System Requirements	<ul style="list-style-type: none"> • Operating System: <ul style="list-style-type: none"> • 32 bit: Windows 8 / 7 (SP1) • 64 bit: Windows 10 / 8 / 7 (SP1) / Server 2012 / Server 2008 R2 • Remote management/control of up to 32 cameras • Supports all management functions provided in web interface 	<ul style="list-style-type: none"> • Web Browser: Internet Explorer 7 or higher • Protocol: Standard TCP/IP • Viewing of up to 32 cameras on one screen • Scheduled motion triggered, or manual recording options
General		
Weight	<ul style="list-style-type: none"> • 1.54 kg (3.40 lbs) with sunshield and mounting bracket 	
Power	<ul style="list-style-type: none"> • External power adapter: 12 V DC 1.5 A. 50/60 Hz 	<ul style="list-style-type: none"> • PoE: IEEE 802.3af Class 3
Power Consumption	<ul style="list-style-type: none"> • Max: 10 watts +/- 5% 	
Temperature	<ul style="list-style-type: none"> • Operating: -40 to 50 °C (-40 to 122 °F) 	<ul style="list-style-type: none"> • Storage: -20 to 70 °C (-4 to 158 °F)
Humidity	<ul style="list-style-type: none"> • Operating: 20% to 80% non-condensing 	<ul style="list-style-type: none"> • Storage: 5% to 95% non-condensing
Certifications	<ul style="list-style-type: none"> • CE • CE LVD 	<ul style="list-style-type: none"> • FCC • C-Tick
Dimensions	<p>The image contains two technical drawings of the D-ViewCam. The left drawing is a front view showing a circular lens with a diameter of 97.5 mm and a total height of 249.1 mm. The bottom width of the mounting bracket is 100 mm. The right drawing is a side view showing a total width of 316.5 mm, a depth of 223.5 mm, a height of 90.7 mm, and a mounting bracket width of 120 mm. The bottom width of the mounting bracket is 216.7 mm.</p>	

Appendix B: Technical Specifications

Order Information	
<i>Part Number</i>	<i>Description</i>
DCS-7517	5 Megapixel H.265 Outdoor Network Camera
DCS-11	Cable Harness
Optional Accessories	
Description	Cable Harness
Part Number	DCS-11
Product Image	
Dimensions (length)	• 123 cm (48.43 inches)
Weight	• 106 g (3.68 ounces)
Connections ³	<ul style="list-style-type: none"> • DI/DO • RS-485 • 12 V DC output • Reset • BNC <ul style="list-style-type: none"> • 24 V AC input • 12 V DC input • Audio in • Audio out

¹ Camera is compatible with microSD cards up to v3.01. Camera is not compatible with v4.x cards.

² This datasheet is for HW version B1.

³ Some features of this accessory may not be supported by this camera model. The DCS-7517 does not support the RS-485, 12V DC output, and 24V AC input features.

⁴ The DI/DO and Audio In/Out functions are supported via the optional cable harness.

Regulatory Information

Federal Communication Commission Interference Statement

This equipment has been tested and found to comply with the limits for a Class A digital device, pursuant to part 15 of the FCC Rules. These limits are designed to provide reasonable protection against harmful interference when the equipment is operated in a commercial environment. This equipment generates, uses, and can radiate radio frequency energy and, if not installed and used in accordance with the instruction manual, may cause harmful interference to radio communications. Operation of this equipment in a residential area is likely to cause harmful interference in which case the user will be required to correct the interference at his own expense.

Non-modification Statement

Any changes or modifications not expressly approved by the party responsible for compliance could void the user's authority to operate the equipment.

Caution

This device complies with Part 15 of the FCC Rules. Operation is subject to the following two conditions:

(1) This device may not cause harmful interference, and (2) this device must accept any interference received, including interference that may cause undesired operation.

CE EMI Class A Warning

This equipment is compliant with Class A of CISPR 32. In a residential environment this equipment may cause radio interference.

SAFETY INSTRUCTIONS

The following general safety guidelines are provided to help ensure your own personal safety and protect your product from potential damage. Remember to consult the product user instructions for more details.

- Static electricity can be harmful to electronic components. Discharge static electricity from your body (i.e. touching grounded bare metal) before touching the product.
- Do not attempt to service the product and never disassemble the product. For some products with a user replaceable battery, please read and follow the instructions in the user manual.
- Do not spill food or liquid on your product and never push any objects into the openings of your product.
- Do not use this product near water, areas with high humidity, or condensation unless the product is specifically rated for outdoor application.
- Keep the product away from radiators and other heat sources.
- Always unplug the product from mains power before cleaning and use a dry lint free cloth only.

SICHERHEITSVORSCHRIFTEN

Die folgenden allgemeinen Sicherheitsvorschriften dienen als Hilfe zur Gewährleistung Ihrer eigenen Sicherheit und zum Schutz Ihres Produkts. Weitere Details finden Sie in den Benutzeranleitungen zum Produkt.

- Statische Elektrizität kann elektronischen Komponenten schaden. Um Schäden durch statische Aufladung zu vermeiden, leiten Sie elektrostatische Ladungen von Ihrem Körper ab, (z. B. durch Berühren eines geerdeten blanken Metallteils), bevor Sie das Produkt berühren.
- Unterlassen Sie jeden Versuch, das Produkt zu warten, und versuchen Sie nicht, es in seine Bestandteile zu zerlegen. Für einige Produkte mit austauschbaren Akkus lesen Sie bitte das Benutzerhandbuch und befolgen Sie die dort beschriebenen Anleitungen.
- Vermeiden Sie, dass Speisen oder Flüssigkeiten auf Ihr Produkt gelangen, und stecken Sie keine Gegenstände in die Gehäuseschlitze oder -öffnungen Ihres Produkts.
- Verwenden Sie dieses Produkt nicht in unmittelbarer Nähe von Wasser und nicht in Bereichen mit hoher Luftfeuchtigkeit oder Kondensation, es sei denn, es ist speziell zur Nutzung in Außenbereichen vorgesehen und eingestuft.
- Halten Sie das Produkt von Heizkörpern und anderen Quellen fern, die Wärme erzeugen.
- Trennen Sie das Produkt immer von der Stromzufuhr, bevor Sie es reinigen und verwenden Sie dazu ausschließlich ein trockenes fusselfreies Tuch.

CONSIGNES DE SÉCURITÉ

Les consignes générales de sécurité ci-après sont fournies afin d'assurer votre sécurité personnelle et de protéger le produit d'éventuels dommages. Veuillez consulter les consignes d'utilisation du produit pour plus de détails.

- L'électricité statique peut endommager les composants électroniques. Déchargez l'électricité statique de votre corps (en touchant un objet en métal relié à la terre par exemple) avant de toucher le produit.
- N'essayez pas d'intervenir sur le produit et ne le démontez jamais. Pour certains produits contenant une batterie remplaçable par l'utilisateur, veuillez lire et suivre les consignes contenues dans le manuel d'utilisation.
- Ne renversez pas d'aliments ou de liquide sur le produit et n'insérez jamais d'objets dans les orifices.
- N'utilisez pas ce produit à proximité d'un point d'eau, de zones très humides ou de condensation sauf si le produit a été spécifiquement conçu pour une application extérieure.
- Éloignez le produit des radiateurs et autres sources de chaleur.
- Débranchez toujours le produit de l'alimentation avant de le nettoyer et utilisez uniquement un chiffon sec non pelucheux.

INSTRUCCIONES DE SEGURIDAD

Las siguientes directrices de seguridad general se facilitan para ayudarle a garantizar su propia seguridad personal y para proteger el producto frente a posibles daños. No olvide consultar las instrucciones del usuario del producto para obtener más información.

- La electricidad estática puede resultar nociva para los componentes electrónicos. Descargue la electricidad estática de su cuerpo (p. ej., tocando algún metal sin revestimiento conectado a tierra) antes de tocar el producto.
- No intente realizar el mantenimiento del producto ni lo desmonte nunca. Para algunos productos con batería reemplazable por el usuario, lea y siga las instrucciones del manual de usuario.
- No derrame comida o líquidos sobre el producto y nunca deje que caigan objetos en las aberturas del mismo.
- No utilice este producto cerca del agua, en zonas con humedad o condensación elevadas a menos que el producto esté clasificado específicamente para aplicación en exteriores.
- Mantenga el producto alejado de los radiadores y de otras fuentes de calor.
- Desenchufe siempre el producto de la alimentación de red antes de limpiarlo y utilice solo un paño seco sin pelusa.

ISTRUZIONI PER LA SICUREZZA

Le seguenti linee guida sulla sicurezza sono fornite per contribuire a garantire la sicurezza personale degli utenti e a proteggere il prodotto da potenziali danni. Per maggiori dettagli, consultare le istruzioni per l'utente del prodotto.

- L'elettricità statica può essere pericolosa per i componenti elettronici. Scaricare l'elettricità statica dal corpo (ad esempio toccando una parte metallica collegata a terra) prima di toccare il prodotto.
- Non cercare di riparare il prodotto e non smontarlo mai. Per alcuni prodotti dotati di batteria sostituibile dall'utente, leggere e seguire le istruzioni riportate nel manuale dell'utente.
- Non versare cibi o liquidi sul prodotto e non spingere mai alcun oggetto nelle aperture del prodotto.
- Non usare questo prodotto vicino all'acqua, in aree con elevato grado di umidità o soggette a condensa a meno che il prodotto non sia specificatamente approvato per uso in ambienti esterni.
- Tenere il prodotto lontano da caloriferi e altre fonti di calore.
- Scollegare sempre il prodotto dalla presa elettrica prima di pulirlo e usare solo un panno asciutto che non lasci filacce.

VEILIGHEIDSINFORMATIE

De volgende algemene veiligheidsinformatie werd verstrekt om uw eigen persoonlijke veiligheid te waarborgen en uw product te beschermen tegen mogelijke schade. Denk eraan om de gebruikersinstructies van het product te raadplegen voor meer informatie.

- Statische elektriciteit kan schadelijk zijn voor elektronische componenten. Ontlaad de statische elektriciteit van uw lichaam (d.w.z. het aanraken van geaard bloot metaal) voordat u het product aanraakt.
- U mag nooit proberen het product te onderhouden en u mag het product nooit demonteren. Voor sommige producten met door de gebruiker te vervangen batterij, dient u de instructies in de gebruikershandleiding te lezen en te volgen.
- Mors geen voedsel of vloeistof op uw product en u mag nooit voorwerpen in de openingen van uw product duwen.
- Gebruik dit product niet in de buurt van water, gebieden met hoge vochtigheid of condensatie, tenzij het product specifiek geclassificeerd is voor gebruik buitenshuis.
- Houd het product uit de buurt van radiators en andere warmtebronnen.
- U dient het product steeds los te koppelen van de stroom voordat u het reinigt en gebruik uitsluitend een droge pluisvrije doek.

Disposing of and Recycling Your Product

ENGLISH

EN



This symbol on the product or packaging means that according to local laws and regulations this product should not be disposed of in household waste but sent for recycling. Please take it to a collection point designated by your local authorities once it has reached the end of its life, some will accept products for free. By recycling the product and its packaging in this manner you help to conserve the environment and protect human health.

D-Link and the Environment

At D-Link, we understand and are committed to reducing any impact our operations and products may have on the environment. To minimise this impact D-Link designs and builds its products to be as environmentally friendly as possible, by using recyclable, low toxic materials in both products and packaging.

D-Link recommends that you always switch off or unplug your D-Link products when they are not in use. By doing so you will help to save energy and reduce CO2 emissions.

To learn more about our environmentally responsible products and packaging please visit www.dlinkgreen.com.

DEUTSCH

DE



Dieses Symbol auf dem Produkt oder der Verpackung weist darauf hin, dass dieses Produkt gemäß bestehender örtlicher Gesetze und Vorschriften nicht über den normalen Hausmüll entsorgt werden sollte, sondern einer Wiederverwertung zuzuführen ist. Bringen Sie es bitte zu einer von Ihrer Kommunalbehörde entsprechend amtlich ausgewiesenen Sammelstelle, sobald das Produkt das Ende seiner Nutzungsdauer erreicht hat. Für die Annahme solcher Produkte erheben einige dieser Stellen keine Gebühren. Durch ein auf diese Weise durchgeführtes Recycling des Produkts und seiner Verpackung helfen Sie, die Umwelt zu schonen und die menschliche Gesundheit zu schützen.

D-Link und die Umwelt

D-Link ist sich den möglichen Auswirkungen seiner Geschäftstätigkeiten und seiner Produkte auf die Umwelt bewusst und fühlt sich verpflichtet, diese entsprechend zu mindern. Zu diesem Zweck entwickelt und stellt D-Link seine Produkte mit dem Ziel größtmöglicher Umweltfreundlichkeit her und verwendet wiederverwertbare, schadstoffarme Materialien bei Produktherstellung und Verpackung.

D-Link empfiehlt, Ihre Produkte von D-Link, wenn nicht in Gebrauch, immer auszuschalten oder vom Netz zu nehmen. Auf diese Weise helfen Sie, Energie zu sparen und CO2-Emissionen zu reduzieren.

Wenn Sie mehr über unsere umweltgerechten Produkte und Verpackungen wissen möchten, finden Sie entsprechende Informationen im Internet unter www.dlinkgreen.com.

FRANÇAIS

FR



Ce symbole apposé sur le produit ou son emballage signifie que, conformément aux lois et réglementations locales, ce produit ne doit pas être éliminé avec les déchets domestiques mais recyclé. Veuillez le rapporter à un point de collecte prévu à cet effet par les autorités locales; certains accepteront vos produits gratuitement. En recyclant le produit et son emballage de cette manière, vous aidez à préserver l'environnement et à protéger la santé de l'homme.

D-Link et l'environnement

Chez D-Link, nous sommes conscients de l'impact de nos opérations et produits sur l'environnement et nous engageons à le réduire. Pour limiter cet impact, D-Link conçoit et fabrique ses produits de manière aussi écologique que possible, en utilisant des matériaux recyclables et faiblement toxiques, tant dans ses produits que ses emballages.

D-Link recommande de toujours éteindre ou débrancher vos produits D-Link lorsque vous ne les utilisez pas. Vous réaliserez ainsi des économies d'énergie et réduirez vos émissions de CO₂.

Pour en savoir plus sur les produits et emballages respectueux de l'environnement, veuillez consulter le www.dlinkgreen.com.

ESPAÑOL

ES



Este símbolo en el producto o el embalaje significa que, de acuerdo con la legislación y la normativa local, este producto no se debe desechar en la basura doméstica sino que se debe reciclar. Llévelo a un punto de recogida designado por las autoridades locales una vez que ha llegado al fin de su vida útil; algunos de ellos aceptan recogerlos de forma gratuita. Al reciclar el producto y su embalaje de esta forma, contribuye a preservar el medio ambiente y a proteger la salud de los seres humanos.

D-Link y el medio ambiente

En D-Link, comprendemos y estamos comprometidos con la reducción del impacto que puedan tener nuestras actividades y nuestros productos en el medio ambiente. Para reducir este impacto, D-Link diseña y fabrica sus productos para que sean lo más ecológicos posible, utilizando materiales reciclables y de baja toxicidad tanto en los productos como en el embalaje.

D-Link recomienda apagar o desenchufar los productos D-Link cuando no se estén utilizando. Al hacerlo, contribuirá a ahorrar energía y a reducir las emisiones de CO₂.

Para obtener más información acerca de nuestros productos y embalajes ecológicos, visite el sitio www.dlinkgreen.com.

ITALIANO

IT



La presenza di questo simbolo sul prodotto o sulla confezione del prodotto indica che, in conformità alle leggi e alle normative locali, questo prodotto non deve essere smaltito nei rifiuti domestici, ma avviato al riciclo. Una volta terminato il ciclo di vita utile, portare il prodotto presso un punto di raccolta indicato dalle autorità locali. Alcuni questi punti di raccolta accettano gratuitamente i prodotti da riciclare. Scegliendo di riciclare il prodotto e il relativo imballaggio, si contribuirà a preservare l'ambiente e a salvaguardare la salute umana.

D-Link e l'ambiente

D-Link cerca da sempre di ridurre l'impatto ambientale dei propri stabilimenti e dei propri prodotti. Allo scopo di ridurre al minimo tale impatto, D-Link progetta e realizza i propri prodotti in modo che rispettino il più possibile l'ambiente, utilizzando materiali riciclabili a basso tasso di tossicità sia per i prodotti che per gli imballaggi.

D-Link raccomanda di spegnere sempre i prodotti D-Link o di scollegarne la spina quando non vengono utilizzati. In questo modo si contribuirà a risparmiare energia e a ridurre le emissioni di anidride carbonica.

Per ulteriori informazioni sui prodotti e sugli imballaggi D-Link a ridotto impatto ambientale, visitate il sito all'indirizzo www.dlinkgreen.com.

NEDERLANDS

NL



Dit symbool op het product of de verpakking betekent dat dit product volgens de plaatselijke wetgeving niet mag worden weggegooid met het huishoudelijk afval, maar voor recyclage moeten worden ingeleverd. Zodra het product het einde van de levensduur heeft bereikt, dient u het naar een inzamelpunt te brengen dat hiertoe werd aangeduid door uw plaatselijke autoriteiten, sommige autoriteiten accepteren producten zonder dat u hiervoor dient te betalen. Door het product en de verpakking op deze manier te recyclen helpt u het milieu en de gezondheid van de mens te beschermen.

D-Link en het milieu

Bij D-Link spannen we ons in om de impact van onze handelingen en producten op het milieu te beperken. Om deze impact te beperken, ontwerpt en bouwt D-Link zijn producten zo milieuvriendelijk mogelijk, door het gebruik van recycleerbare producten met lage toxiciteit in product en verpakking.

D-Link raadt aan om steeds uw D-Link producten uit te schakelen of uit de stekker te halen wanneer u ze niet gebruikt. Door dit te doen bespaart u energie en beperkt u de CO₂-emissies.

Breng een bezoek aan www.dlinkgreen.com voor meer informatie over onze milieuverantwoorde producten en verpakkingen.

POLSKI**PL**

Ten symbol umieszczony na produkcie lub opakowaniu oznacza, że zgodnie z miejscowym prawem i lokalnymi przepisami niniejszego produktu nie wolno wyrzucać jak odpady czy śmieci z gospodarstwa domowego, lecz należy go poddać procesowi recyklingu. Po zakończeniu użytkowania produktu, niektóre odpowiednie do tego celu podmioty przyjmą takie produkty nieodpłatnie, dlatego prosimy dostarczyć go do punktu zbiórki wskazanego przez lokalne władze. Poprzez proces recyklingu i dzięki takiemu postępowaniu z produktem oraz jego opakowaniem, pomogą Państwo chronić środowisko naturalne i dbać o ludzkie zdrowie.

D-Link i środowisko

D-Link podchodzimy w sposób świadomy do ochrony otoczenia oraz jesteśmy zaangażowani w zmniejszanie wpływu naszych działań i produktów na środowisko naturalne. W celu zminimalizowania takiego wpływu firma D-Link konstruuje i wytwarza swoje produkty w taki sposób, aby były one jak najbardziej przyjazne środowisku, stosując do tych celów materiały nadające się do powtórnego wykorzystania, charakteryzujące się małą toksycznością zarówno w przypadku samych produktów jak i opakowań.

Firma D-Link zaleca, aby Państwo zawsze prawidłowo wyłączali z użytku swoje produkty D-Link, gdy nie są one wykorzystywane. Postępując w ten sposób pozwalają Państwo oszczędzać energię i zmniejszać emisje CO₂.

Aby dowiedzieć się więcej na temat produktów i opakowań mających wpływ na środowisko prosimy zapoznać się ze stroną Internetową www.dlinkgreen.com.

ČESKY**CZ**

Tento symbol na výrobku nebo jeho obalu znamená, že podle místně platných předpisů se výrobek nesmí vyhazovat do komunálního odpadu, ale odeslat k recyklaci. Až výrobek doslouží, odneste jej prosím na sběrné místo určené místními úřady k tomuto účelu. Někteřá sběrná místa přijímají výrobky zdarma. Recyklací výrobku i obalu pomáháte chránit životní prostředí i lidské zdraví.

D-Link a životní prostředí

Ve společnosti D-Link jsme si vědomi vlivu našich provozů a výrobků na životní prostředí a snažíme se o minimalizaci těchto vlivů. Proto své výrobky navrhujeme a vyrábíme tak, aby byly co nejekologičtější, a ve výrobcích i obalech používáme recyklovatelné a nízkotoxické materiály.

Společnost D-Link doporučuje, abyste své výrobky značky D-Link vypnuli nebo vytáhli ze zásuvky vždy, když je nepoužíváte. Pomůžete tak šetřit energii a snížit emise CO₂.

Více informací o našich ekologických výrobcích a obalech najdete na adrese www.dlinkgreen.com.

MAGYAR**HU**

Ez a szimbólum a terméken vagy a csomagoláson azt jelenti, hogy a helyi törvényeknek és szabályoknak megfelelően ez a termék nem semmisíthető meg a háztartási hulladékkal együtt, hanem újrahasznosításra kell küldeni. Kérjük, hogy a termék élettartamának elteltét követően vigye azt a helyi hatóság által kijelölt gyűjtőhelyre. A termékek egyes helyeken ingyen elhelyezhetők. A termék és a csomagolás újrahasznosításával segíti védeni a környezetet és az emberek egészségét.

A D-Link és a környezet

A D-Linknél megértjük és elköteleztük magunkat a műveleteink és termékeink környezetre gyakorolt hatásainak csökkentésére. Az ezen hatás csökkentése érdekében a D-Link a lehető leginkább környezetbarát termékeket tervez és gyárt azáltal, hogy újrahasznosítható, alacsony károsanyag-tartalmú termékeket gyárt és csomagolásokat alkalmaz.

A D-Link azt javasolja, hogy mindig kapcsolja ki vagy húzza ki a D-Link termékeket a tápforrásból, ha nem használja azokat. Ezzel segít az energia megtakarításában és a széndioxid kibocsátásának csökkentésében.

Környezetbarát termékeinkről és csomagolásainkról további információkat a www.dlinkgreen.com weboldalon tudhat meg.

NORSK**NO**

Dette symbolet på produktet eller forpakningen betyr at dette produktet ifølge lokale lover og forskrifter ikke skal kastes sammen med husholdningsavfall, men leveres inn til gjenvinning. Vennligst ta det til et innsamlingssted anvist av lokale myndigheter når det er kommet til slutten av levetiden. Noen steder aksepteres produkter uten avgift. Ved på denne måten å gjenvinne produktet og forpakningen hjelper du å verne miljøet og beskytte folks helse.

D-Link og miljøet

Hos D-Link forstår vi oss på og er forpliktet til å minske innvirkningen som vår drift og våre produkter kan ha på miljøet. For å minimalisere denne innvirkningen designer og lager D-Link produkter som er så miljøvennlig som mulig, ved å bruke resirkulerbare, lav-toksiske materialer både i produktene og forpakningen.

D-Link anbefaler at du alltid slår av eller frakobler D-Link-produkter når de ikke er i bruk. Ved å gjøre dette hjelper du å spare energi og å redusere CO₂-utslipp.

For mer informasjon angående våre miljøansvarlige produkter og forpakninger kan du gå til www.dlinkgreen.com.

DANSK

DK



Dette symbol på produktet eller emballagen betyder, at dette produkt i henhold til lokale love og regler ikke må bortskaffes som husholdningsaffald, mens skal sendes til genbrug. Indlever produktet til et indsamlingssted som angivet af de lokale myndigheder, når det er nået til slutningen af dets levetid. I nogle tilfælde vil produktet blive modtaget gratis. Ved at indlevere produktet og dets emballage til genbrug på denne måde bidrager du til at beskytte miljøet og den menneskelige sundhed.

D-Link og miljøet

Hos D-Link forstår vi og bestræber os på at reducere enhver indvirkning, som vores aktiviteter og produkter kan have på miljøet. For at minimere denne indvirkning designer og producerer D-Link sine produkter, så de er så miljøvenlige som muligt, ved at bruge genanvendelige materialer med lavt giftighedsniveau i både produkter og emballage.

D-Link anbefaler, at du altid slukker eller frakobler dine D-Link-produkter, når de ikke er i brug. Ved at gøre det bidrager du til at spare energi og reducere CO₂-udledningerne.

Du kan finde flere oplysninger om vores miljømæssigt ansvarlige produkter og emballage på www.dlinkgreen.com.

SUOMI

FI



Tämä symboli tuotteen pakkauksessa tarkoittaa, että paikallisten lakien ja säännösten mukaisesti tätä tuotetta ei pidä hävittää yleisen kotitalousjätteen seassa vaan se tulee toimittaa kierrätettäväksi. Kun tuote on elinkaarensa päässä, toimita se lähimpään viranomaisten hyväksymään kierrätyspisteeseen. Kierrättämällä käytetyn tuotteen ja sen pakkauksen autat tukemaan sekä ympäristön että ihmisten terveyttä ja hyvinvointia.

D-Link ja ympäristö

D-Link ymmärtää ympäristönsuojelun tärkeyden ja on sitoutunut vähentämään tuotteistaan ja niiden valmistuksesta ympäristölle mahdollisesti aiheutuvia haittavaikutuksia. Nämä negatiiviset vaikutukset minimoidakseen D-Link suunnittelee ja valmistaa tuotteensa mahdollisimman ympäristöystävällisiksi käyttämällä kierrätettäviä, alhaisia pitoisuuksia haitallisia aineita sisältäviä materiaaleja sekä tuotteissaan että niiden pakkauksissa.

Suosittellemme, että irrotat D-Link-tuotteesi virtalähteestä tai sammutat ne aina, kun ne eivät ole käytössä. Toimimalla näin autat säästämään energiaa ja vähentämään hiilidioksiidipäästöjä.

Lue lisää ympäristöystävällisistä D-Link-tuotteista ja pakkauksistamme osoitteesta www.dlinkgreen.com.

SVENSKA

SE



Den här symbolen på produkten eller förpackningen betyder att produkten enligt lokala lagar och föreskrifter inte skall kastas i hushållssoporna utan i stället återvinnas. Ta den vid slutet av dess livslängd till en av din lokala myndighet utsedd uppsamlingsplats, vissa accepterar produkter utan kostnad. Genom att på detta sätt återvinna produkten och förpackningen hjälper du till att bevara miljön och skydda människors hälsa.

D-Link och miljön

På D-Link förstår vi och är fast beslutna att minska den påverkan våra verksamheter och produkter kan ha på miljön. För att minska denna påverkan utformar och bygger D-Link sina produkter för att de ska vara så miljövänliga som möjligt, genom att använda återvinningsbara material med låg gifthalt i både produkter och förpackningar.

D-Link rekommenderar att du alltid stänger av eller kopplar ur dina D-Link produkter när du inte använder dem. Genom att göra detta hjälper du till att spara energi och minska utsläpp av koldioxid.

För mer information om våra miljöansvariga produkter och förpackningar www.dlinkgreen.com.

PORTUGUÊS

PT



Este símbolo no produto ou embalagem significa que, de acordo com as leis e regulamentações locais, este produto não deverá ser eliminado juntamente com o lixo doméstico mas enviado para a reciclagem. Transporte-o para um ponto de recolha designado pelas suas autoridades locais quando este tiver atingido o fim da sua vida útil, alguns destes pontos aceitam produtos gratuitamente. Ao reciclar o produto e respectiva embalagem desta forma, ajuda a preservar o ambiente e protege a saúde humana.

A D-Link e o ambiente

Na D-Link compreendemos e comprometemo-nos com a redução do impacto que as nossas operações e produtos possam ter no ambiente. Para minimizar este impacto a D-Link concebe e constrói os seus produtos para que estes sejam o mais inofensivos para o ambiente possível, utilizando materiais recicláveis e não tóxicos tanto nos produtos como nas embalagens.

A D-Link recomenda que desligue os seus produtos D-Link quando estes não se encontrarem em utilização. Com esta acção ajudará a poupar energia e reduzir as emissões de CO₂.

Para saber mais sobre os nossos produtos e embalagens responsáveis a nível ambiental visite www.dlinkgreen.com.