

# Vigilance 8 Megapixel H.265 Outdoor Dome Camera

High-definition professional surveillance and security solution, suitable for small, medium, and large enterprises.

**DCS-F4608EK**



- 1/2.7" 8 Megapixel progressive CMOS sensor
- Resolution of up to 3840 × 2160 at 30 fps
- H.265, H.264 and MJPEG codec support
- True WDR (Wide Dynamic Range)
- Image Enhancement with WB, HLC, BLC, DNR, Defog, 2D/3D noise reduction
- AI with motion, human and vehicle detection
- Intrusion, Tripwire, Loitering, Wrong-way, Illegal Parking Detection. People Counting.
- Built-in IR LED illuminator with a 30 m range
- IP67 water-resistant and dust-tight housing with an operating temperature range of -40 to 60 °C
- Vandal Proof with IK10 rating
- MicroSD card slot for local recording
- ONVIF Profile S Compliant
- Built-in PoE Support



**4K Video**

Crisp, clear detailed footage for recording and playback



**30 Metre Night Vision**

See up to 30 metres in the dark with built-in Smart LEDs



**Weatherproof**

IP67 Water-resistant and dust-tight housing with an operating temperature range of -40 to 60 °C



**Vandal Proof**

IK10 Rated housing for protection against physical impacts



**H.265 Support**

HEVC (High-Efficiency Video Coding) for better visual quality and recording performance



**True WDR (Wide Dynamic Range)**

Easily identify subjects in any lighting



**AI Intelligence**

Accurate human and vehicle detection. Intrusion, tripwire, loitering, wrong-way, illegal parking detection. People counting.



**ONVIF Compliant**

Integrate this Camera with many ONVIF-capable third party software or NVR solutions

**Camera**

Camera Hardware Profile      1/2.7" 8-Megapixel Progressive CMOS Sensor  
 Max. Resolution: 8MP (3840x2160) @ 30 fps  
 Electronic Shutter 1/5 - 1/20,000s (Auto/Manual)  
 30 Metre IR Illumination Distance  
 Minimum illumination:  
     Colour: 0.01 lux @(F1.6, AGC ON)  
     B/W: 0 lux @(IR LED ON)  
 Smart IR  
 Built-in Infrared-Cut Removable (ICR) Filter Module  
 Focal Length: 2.8 mm  
 Aperture: F2.0  
 Angle of view:  
     (H) 105°  
     (V) 56°  
 3-Axis Adjustment Angle (Non-Motorised):  
 Pan: 0° - 355°  
 Tilt: 0° - 75°  
 Rotate: 0° - 350°

Camera Housing                  IP67 Weatherproof Housing  
 Vandal Proof IK10 rated

Video                              Max. Resolution: 8MP (3840x2160) @ 30 fps  
 Video compression: H.265/H.264/MJPEG  
 Configurable image size/quality/frame rate/bit rate  
 Time stamp and text overlays  
 Configurable shutter speed/brightness/saturation/  
 contrast/sharpness/3D filter  
 Configurable Motion Detection Area  
 Configurable Privacy Mask Zones  
 Auto White Balance (AWB)  
 Auto Gain Control (AGC)  
 Highlight compensation (HLC)  
 Backlight compensation (BLC)  
 Defog  
 True Wide Dynamic Range (WDR)  
 S/N Ratio: 55 dB  
 Aisle Mode

Interfaces                        Network Interface:  
 1 Ethernet (10/100 Base-T) RJ-45 Connector  
 Built-in SD Card Slot: up to 256GB  
 Reset Button

**Network**

Network Protocols            IPv4/IPv6  
 802.1x  
 HTTP  
 HTTPS  
 TCP/IP  
 UDP/IP  
 RTSP  
 DHCP  
 NTP  
 RTCP/RTP  
 PPPoE  
 SMTP  
 DNS  
 UPnP  
 FTP  
 ARP  
 SNMP  
 TLS/SSL

Interoperability              ONVIF, SDK, CGI

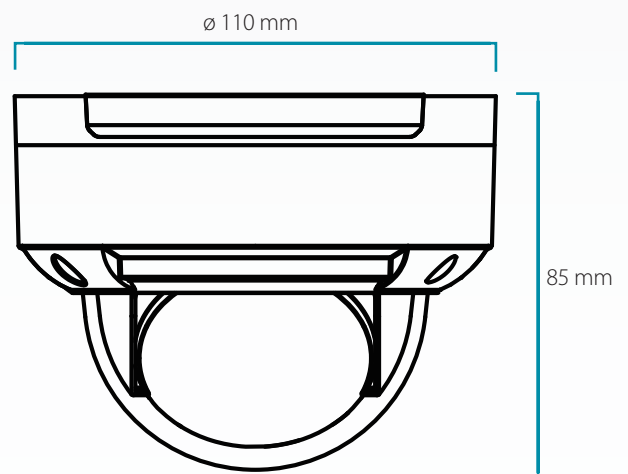


**System Management**

Event Management	Motion Detection Multiple Event Notifications Event Notification and uploading of snapshots via email or FTP Video Recording to microSD card <sup>1</sup> , Network Video Recorder or ONVIF-Compliant NAS
Smart Functions	Supports human and vehicle detection. Intrusion Detection: Perimeter, Single virtual fence, Double virtual fences, Loiter. Smart motion detection. Wrong-way and Illegal Parking detection. Alarm triggering by specified target types (human and vehicle)
Remote Management	Remote Management via NVR or DCMS+ Software Remotely take snapshots/video clips Configuration interface accessible via a web browser
Remote Monitoring	Remote monitoring via NVR, DCMS+ Software, Web browser, D-Link CCTV app (Android and iOS), third party ONVIF and RTSP compatible devices and software
Supported Web Browsers	Chrome, Firefox, Edge, Safari (MJPEG only)
DCMS+ Software Requirements	Free download. Compatible with Windows 10 (64 bit), Windows 11, Windows Server 2012, Windows Server 2016 / 2019 / 2022

**General**

Weight	0.47 kg
Power Options	PoE (IEEE 802.3af/802.3at) 12 V DC 1.5 A (adapter not included)
Max Power Consumption	4.5 W
Operating Temperature	-40 to 60 °C
Storage Temperature	-20 to 70 °C
Operating/Storage Humidity	Max. 90% non-condensing
Dimensions	ø 110 × 85 mm
Certifications	CE, FCC, RCM



**Order Information**

DCS-F4608EK	Vigilance 8MP Day & Night Outdoor Vandal-Proof Dome PoE Network Camera
-------------	--

<sup>1</sup> microSD card not included. Supports capacity up to 256 GB.

**Power Supply**

Model Name	12 V DC 1.5 A Power supply
Model Number	DLP101-12V1.5A



**Mounts**

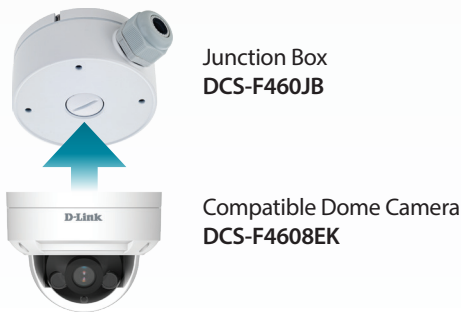
Model Name	Junction Box	Pendant Cap
Model Number	DCS-F460JB	DCS-F460PC



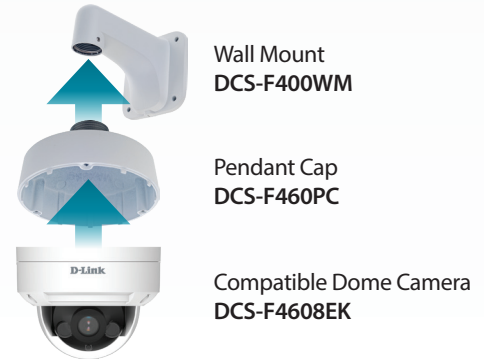
Model Name	Wall Mount	Pole Mount
Model Number	DCS-F400WM	DCS-F400PM



**Junction Box Configuration**



**Wall Mount Configuration**



**Pole Mount Configuration**

