

Vigilance 8 Megapixel H.265 Outdoor Turret Camera

High-definition professional surveillance and security solution, suitable for small, medium, and large enterprises.

DCS-F4808E

- 1/2.7" 8 Megapixel progressive CMOS sensor
- Resolution of up to 3840 x 2160 at 30 fps
- H.265, H.264 and MJPEG codec support
- True WDR (Wide Dynamic Range)
- Image Enhancement with WB, HLC, BLC, DNR, Defog, 2D/3D noise reduction
- AI with motion, human and vehicle detection
- Intrusion, Tripwire, Loitering, Wrong-way, Illegal Parking Detection.
- Smart spotlight on human detection
- Built-in IR LED illuminator with a 20 m range
- IP66 water-resistant and dust-tight housing with an operating temperature range of -40 to 60 °C
- Built-in microphone
- MicroSD card slot for local recording
- ONVIF Profile S compliant
- Built-in PoE support



Smart Illumination

Night surveillance with Dual Lights: Infra-Red and Spotlight on human detection



4K Video

Crisp, clear detailed footage for recording and playback



20 Metre Night Vision

See up to 20 metres in the dark with built-in Smart LEDs



Weatherproof

IP66 Water-resistant and dust-tight housing with an operating temperature range of -40 to 60 °C



H.265 Support

HEVC (High-Efficiency Video Coding) for better visual quality and recording performance



True WDR (Wide Dynamic Range)

Easily identify subjects in any lighting



AI Intelligence

Accurate human and vehicle detection. Intrusion, tripwire, loitering, wrong-way, illegal parking detection. People counting.



ONVIF Compliant

Integrate this Camera with many ONVIF-capable third party software or NVR solutions

Camera

Camera Hardware Profile	1/2.7" 8-Megapixel Progressive CMOS Sensor Max. Resolution: 8MP (3840x2160) @ 30 fps Electronic Shutter 1/5 - 1/20,000s (Auto/Manual) 30 Metre Spotlight Illumination Distance 20 Metre IR Illumination Distance Minimum illumination: Colour: 0.01 lux @(F1.6, AGC ON) B/W: 0 lux @(IR LED ON) Smart IR Built-in Infrared-Cut Removable (ICR) Filter Module Focal Length: 2.8 mm Aperture: F2.0 Angle of view: (H) 105° (V) 56° 3-Axis Adjustment Angle (Non-Motorised): Pan: 0° - 355° Tilt: 0° - 80° Rotate: 0° - 360°
-------------------------	---

Camera Housing	IP66 Weatherproof Housing
----------------	---------------------------

Video	Max. Resolution: 8MP (3840x2160) @ 30 fps Video compression: H.265/H.264/MJPEG Configurable image size/quality/frame rate/bit rate Time stamp and text overlays Configurable shutter speed/brightness/saturation/ contrast/sharpness/3D filter Configurable Motion Detection Area Configurable Privacy Mask Zones Auto White Balance (AWB) Auto Gain Control (AGC) Highlight compensation (HLC) Backlight compensation (BLC) Defog True Wide Dynamic Range (WDR) S/N Ratio: 55 dB Aisle Mode
-------	---

Interfaces	Network Interface: 1 Ethernet (10/100 Base-T) RJ-45 Connector Built-in Microphone Built-in SD Card Slot: up to 256GB Reset Button
------------	---

Network

Network Protocols	IPv4/IPv6 802.1x HTTP HTTPS TCP/IP UDP/IP RTSP DHCP NTP RTCP/RTP PPPoE SMTP DNS UPnP FTP ARP SNMP TLS/SSL
-------------------	--

Interoperability	ONVIF, SDK, CGI
------------------	-----------------



System Management

Event Management	Motion Detection Multiple Event Notifications Event Notification and uploading of snapshots via email or FTP Video Recording to microSD card ¹ , Network Video Recorder or ONVIF-Compliant NAS
Smart Functions	Supports human and vehicle detection. Spotlight Illumination on human detection. Intrusion Detection: Perimeter, Single virtual fence, Double virtual fences, Loiter. Smart motion detection. Wrong-way and Illegal Parking detection. Alarm triggering by specified target types (human and vehicle).
Remote Management	Remote Management via NVR or DCMS+ Software Remotely take snapshots/video clips Configuration interface accessible via a web browser
Remote Monitoring	Remote monitoring via NVR, DCMS+ Software, Web browser, D-Link CCTV app (Android and iOS), third party ONVIF and RTSP compatible devices and software
Supported Web Browsers	Chrome, Firefox, Edge, Safari (MJPEG only)
DCMS+ Software Requirements	Free download. Compatible with Windows 10 (64 bit), Windows 11, Windows Server 2012, Windows Server 2016 / 2019 / 2022

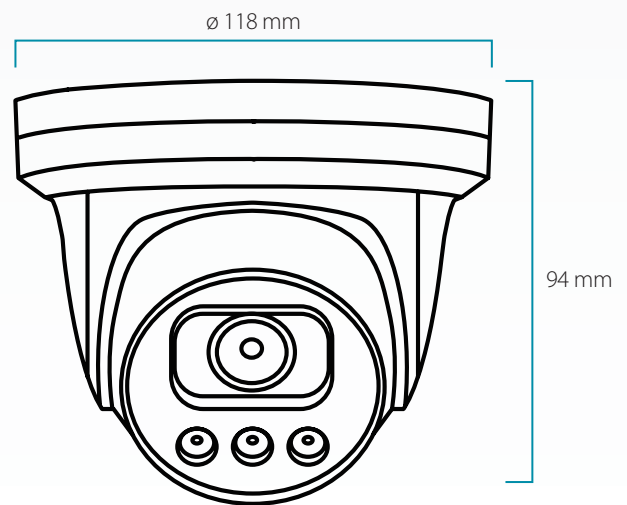
General

Weight	0.55 kg
Power Options	PoE (IEEE 802.3af/802.3at) 12 V DC 1.5 A (adapter not included)
Max Power Consumption	4.4 W
Operating Temperature	-40 to 60 °C
Storage Temperature	-20 to 70 °C
Operating/Storage Humidity	Max. 90% non-condensing
Dimensions	ø 118 × 94 mm
Certifications	CE, FCC, RCM

Order Information

DCS-F4808E	Vigilance 8MP Day & Night Outdoor Turret PoE Network Camera
------------	---

¹ microSD card not included. Supports capacity up to 256 GB.



Power Supply

Model Name	12 V DC 1.5 A Power supply
Model Number	DLP101-12V1.5A



Mounts

Model Name	Junction Box	Pendant Cap
Model Number	DCS-F480JB	DCS-F480PC



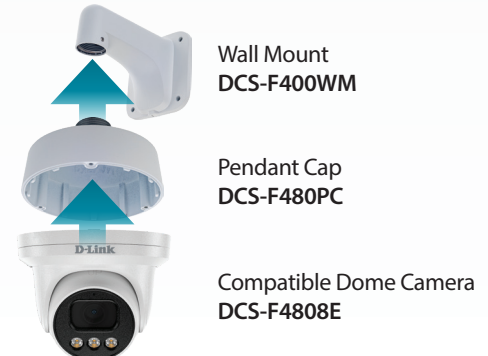
Model Name	Wall Mount	Pole Mount
Model Number	DCS-F400WM	DCS-F400PM



Junction Box Configuration



Wall Mount Configuration



Pole Mount Configuration

