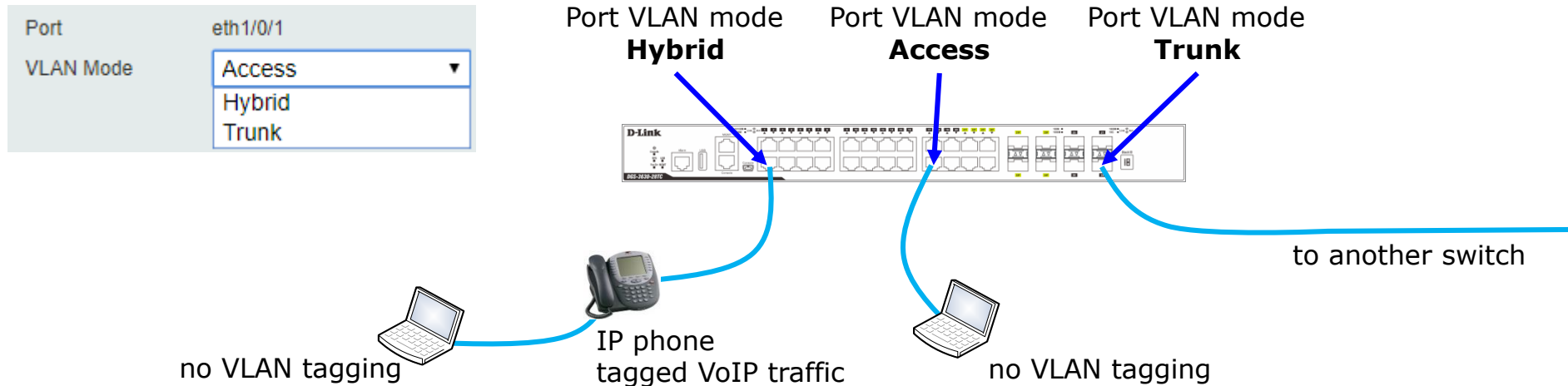


DGS-3630 Series Switches

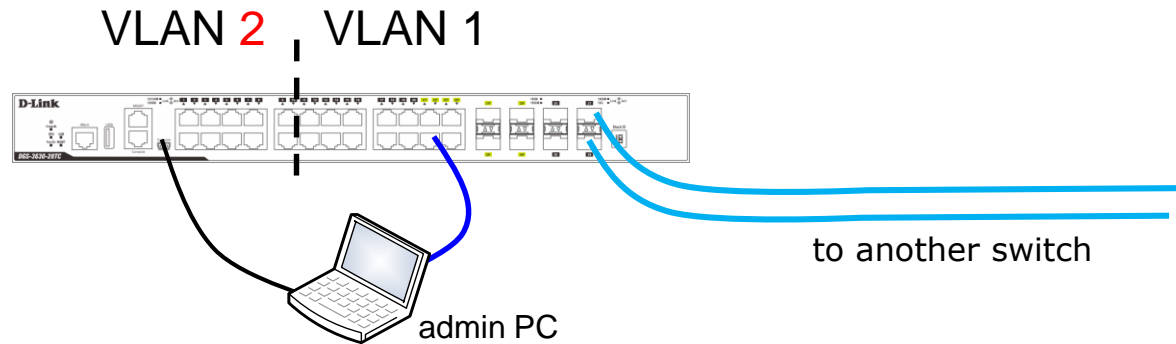
Setting Up VLANs

Port VLAN Modes

Trunk	All outgoing traffic is tagged (Native VLAN can be excepted). Normally used on ports connected to other switches (uplinks).
Access	All outgoing traffic is untagged. Normally used on ports connected to devices that are not VLAN aware (computers, printers, etc.)
Hybrid	Both tagged and untagged traffic. Used on ports that have a mix of VLAN enabled and disabled devices.



Setting up VLANs (CLI)

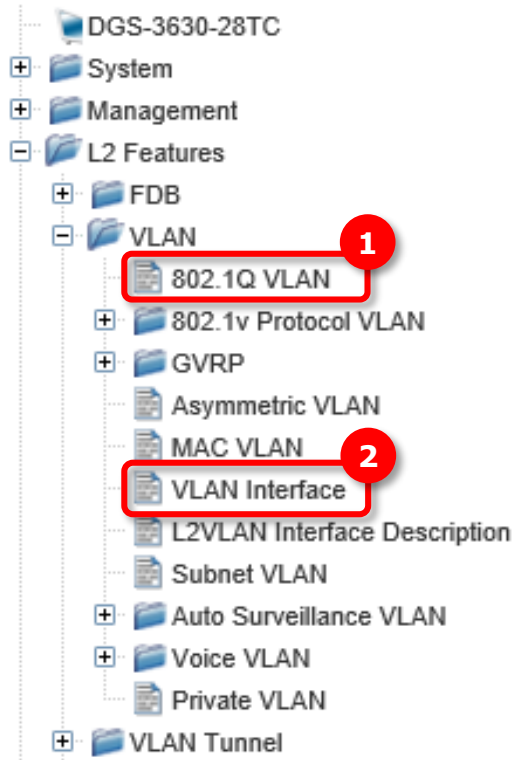


```
Switch> enable
Switch# configure terminal
Switch(config)# vlan 2
Switch(config-vlan)# exit
Switch(config)# interface range ethernet 1/0/1-10
Switch(config-if-range)# switchport hybrid allowed vlan add untagged 2
Switch(config-if-range)# switchport hybrid allowed vlan remove 1
Switch(config-if-range)# exit
```

(If you have uplink ports 27-28)

```
Switch(config)# interface range ethernet 1/0/27-28
Switch(config-if-range)# switchport mode trunk
Switch(config-if-range)# switchport trunk allowed vlan 1,2
Switch(config-if-range)# exit
```

VLAN Web GUI Setup Example



802.1Q VLAN

802.1Q VLAN

VID List

Configure VLAN Interface

Configure VLAN Interface

Port eth1/0/1 Clone

VLAN Mode Hybrid

VID (1-4094) 1

Action Remove

Allowed VLAN Range 1

From Port eth1/0/1 To Port eth1/0/10

Port eth1/0/1 Clone

VLAN Mode Hybrid

VID (1-4094) 2

Action Add

Add Mode Untagged Tagged

Allowed VLAN Range 2

From Port eth1/0/1 To Port eth1/0/10

Step 1. Add new VLAN ID

Step 2. Remove default VLAN on ports 1-10

Step 3. Add new VLAN on ports 1-10

VID	VLAN Name	Tagged Member Ports	Untagged Member Ports
1	default		1/0/11-1/0/28
2	VLAN2		1/0/1-1/0/10

VLAN Web GUI Setup Example

If you have uplink ports 27-28:

Configure VLAN Interface

Configure VLAN Interface

Port	eth1/0/27	<input checked="" type="checkbox"/> Clone	
VLAN Mode	<input type="text" value="Trunk"/>	From Port	To Port
Acceptable Frame	<input type="text" value="Admit All"/>	<input type="text" value="eth1/0/27"/>	<input type="text" value="eth1/0/28"/>
Ingress Checking	<input checked="" type="radio"/> Enabled <input type="radio"/> Disabled		
Native VLAN	<input checked="" type="checkbox"/> Native VLAN <input type="radio"/> Untagged <input checked="" type="radio"/> Tagged		
VID (1-4094)	<input type="text" value="1"/>		
Action	<input type="text" value="None"/>		
Allowed VLAN Range	<input type="text"/>		
Current Allowed VLAN Range	<input type="text"/>		