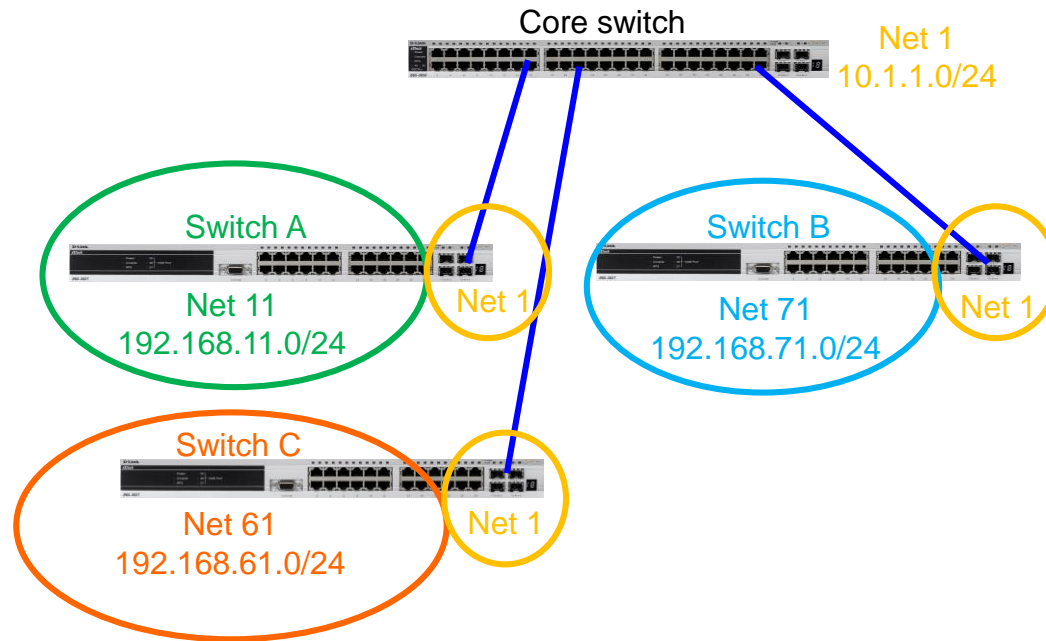


DGS-3630 Series Switches

Dynamic Routing – OSPF Setup

OSPF Setup Example (CLI)



Switch A Configuration Example

Set router ID and add your networks to the OSPF area 0.

```
Switch(config)#router ospf
Switch(config-router)#router-id 10.1.1.11
Switch(config-router)#network 10.1.1.0 0.0.0.255 area 0.0.0.0
Switch(config-router)#network 192.168.11.0 0.0.0.255 area 0.0.0.0
```

OSPF Setup Example (CLI)

- Check the routing table and OSPF neighbors.

```
Switch# show ip route
```

```
C    10.1.1.0/24 is directly connected, vlan1
C    192.168.11.0/24 is directly connected, vlan11
O    192.168.61.0/24 [80/2] via 10.1.1.6, vlan1
O    192.168.71.0/24 [80/2] via 10.1.1.7, vlan1
O    192.168.81.0/24 [80/2] via 10.1.1.8, vlan1
O    192.168.91.0/24 [80/2] via 10.1.1.254, vlan1
```

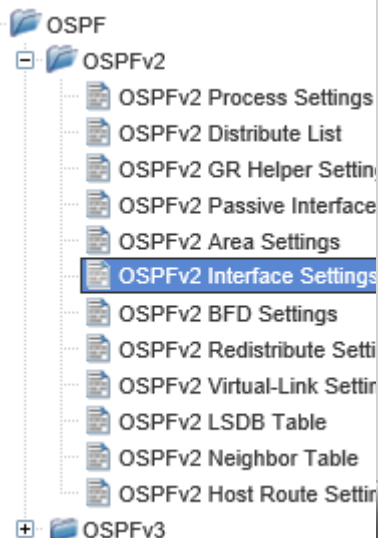
Routes learnt
dynamically via OSPF

```
Switch# show ip ospf neighbour
```

Neighbor ID	Pri	State	Address	Interface
10.1.1.8	1	Full/DR	10.1.1.8	vlan1
10.1.1.254	1	Full/Backup	10.1.1.254	vlan1

OSPF Setup Example (GUI)

- L3 Features > OSPF > OSPFv2 > OSPF Interface Settings
- Add OSPF interfaces for each of the local interfaces



OSPFv2 Interface Settings

OSPF Interface Settings

VRF Name	<input type="text" value="12 chars"/>	<input type="button" value="Select VRF"/>
Area ID	<input type="text" value="0 . 0 . 0 . 0"/>	
Network IP Address	<input type="text" value="10 . 1 . 1 . 11"/>	
Network Mask	<input type="text" value="255 . 255 . 255 . 0"/>	<input type="button" value="Apply"/>

OSPFv2 Interface Settings

OSPF Interface Settings

VRF Name	<input type="text" value="12 chars"/>	<input type="button" value="Select VRF"/>
Area ID	<input type="text" value="0 . 0 . 0 . 0"/>	
Network IP Address	<input type="text" value="192 . 168 . 11 . 1"/>	
Network Mask	<input type="text" value="255 . 255 . 255 . 0"/>	<input type="button" value="Apply"/>

OSPF Setup Example (GUI)

- L3 Features > OSPF > OSPFv2 > OSPF Process Settings
- Edit the Table entry and set it to Enabled.

OSPFv2 Process Settings

OSPF Process Settings

VRF Name

OSPF Process Table

Total Entries: 1

VRF Name	OSPF State	Router ID	Default Metric	Distance Settings		Default Originate Info			ECMP	
				Type	Distance	State	Originate	Metric		
	Enabled	10.1.1.11	20	Intra-area	80	Disabled	None	1	1	<input type="button" value="Edit"/> <input type="button" value="Show Detail"/>

1/1 | < < 1 > > | Go

OSPF Process Table

Total Entries: 1

VRF Name	OSPF State	Router ID	Default Metric	Distance Settings		Default Originate Info			ECMP	
				Type	Distance	State	Originate	Metric		
	Enabled	10 . 1 . 1 . 11	20	Intra-Area	80	Disabled	None	1	1	<input type="button" value="Apply"/> <input type="button" value="Show Detail"/>

OSPF Setup Example (GUI)

- Check the routing table under L3 Features > IPv4 Route Table.
- The switch will display other networks learned via OSPF.

Fuzzy Search

DGS-3630-28TC

- System
- Management
- L2 Features
- L3 Features
 - ARP
 - Gratuitous ARP
 - IPv6 Neighbor
 - Interface
 - UDP Helper
 - IPv4 Static/Default Route
 - IPv4 Static Route BFD
 - IPv4 Route Table**
 - IPv6 Static/Default Route
 - IPv6 Static Route BFD

IPv4 Route Table

IPv4 Route Table

VRF Name: 12 chars

IP Address
 Network Address
 RIP OSPF BGP Connected Hardware Summary

Find

Total Entries: 4

IP Address	Mask	Gateway	Interface	Distance/Metric	Protocol	VRF	Candidate Default
10.1.1.0	255.255.255.0	Directly Connected	vlan1		Connected		-
192.168.71.0	255.255.255.0	Directly Connected	vlan71		Connected		-
192.168.81.0	255.255.255.0	10.1.1.8	vlan1	80/2	OSPF		No
192.168.91.0	255.255.255.0	10.1.1.254	vlan1	80/2	OSPF		No