

# IN THIS GUIDE YOU WILL LEARN HOW TO HOOK UP YOUR NIFTY NEW ADAPTOR IN NO TIME

THE INCREDIBLY SIMPLE GUIDE TO  
CONNECTING YOUR NEW D-LINK POWERLINE  
ADAPTOR TO YOUR SET TOP BOX AND MODEM

OPTUS  fetch  


 TO VIEW A VIDEO OF THIS INSTALLATION,  
VISIT [OPTUS.COM.AU/OPTUSTV/PLCINSTALL](http://OPTUS.COM.AU/OPTUSTV/PLCINSTALL)

OR CHECK OUT THE FULL USER GUIDE AVAILABLE  
AT [OPTUS.COM.AU/OPTUSTV/HELP](http://OPTUS.COM.AU/OPTUSTV/HELP)

## THE LOW-DOWN ON GETTING SET UP

The D-Link Powerline Adaptor Kit lets you connect your Optus TV with Fetch Set Top Box to your broadband internet through the electrical wires in your home. It's an alternative to using a direct ethernet connection or wireless solution.

And since you are dealing with electricity, there are some things you need to check before you get going:

- If you are using power boards, refer to the power board notes in **Step 1** and **Step 2**.
- Identify a power point near your modem or router to plug one of the Adaptors into.
- Identify a power point near your Optus TV Set Top Box to plug the other Adaptor into.
- Ensure you have easy access to the power points and existing modem or router for setup.

**SAFETY TIP:** Turn power points off before you plug in any new devices or unplug any existing devices.

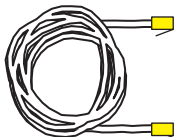
## GET ALL YOUR GEAR TOGETHER

THE THINGS YOU'LL USE IN  
THE ROOM WITH YOUR MODEM  
OR ROUTER

**A. WHITE ADAPTOR**

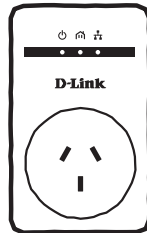


**B. ETHERNET CABLE**

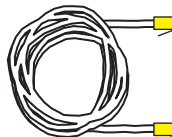


THE THINGS YOU'LL USE IN  
THE ROOM WITH YOUR SET TOP  
BOX AND TV

**C. WHITE ADAPTOR**



**D. ETHERNET CABLE**



## STEP 1

# CONNECT ONE OF THE ADAPTORS TO YOUR MODEM OR ROUTER

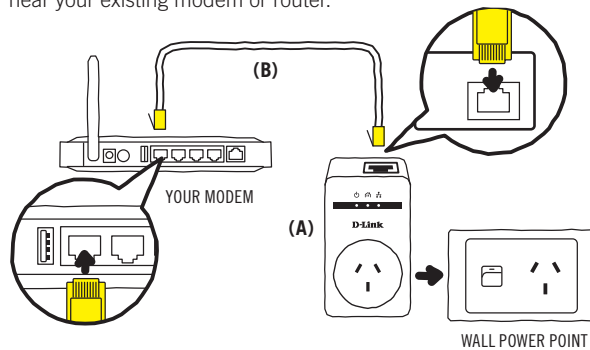
**BITS YOU'LL NEED: A. WHITE ADAPTOR B. ETHERNET CABLE**

**Go to the room with your existing modem or router.**

Plug one end of the Ethernet Cable **(B)** into a spare port on the back of your existing modem or router.

Plug the other end of the Ethernet Cable **(B)** into the top of the Adaptor **(A)**.

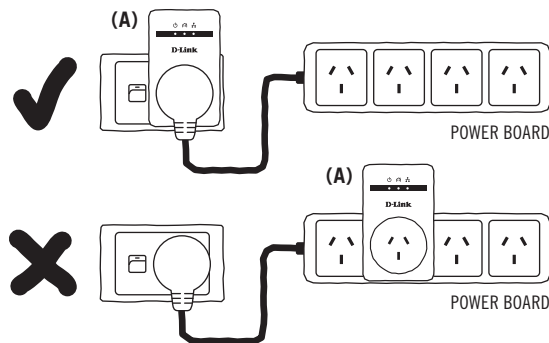
Plug the Adaptor **(A)** attached to the Ethernet Cable **(B)** into a power point near your existing modem or router.



## IF YOU'RE USING POWERBOARDS, EXTENSION CORDS OR SURGE-PROTECTION BOARDS

**DO** plug the Adaptor **(A)** directly into the wall socket.

**DO** plug the extension cord, surge-protection board or powerboard into the power socket on the front face of the Adaptor **(A)** only if it is plugged into the wall.



**DON'T** plug the Adaptor **(A)** directly into an extension cord, surge-protection board or powerboard.

## STEP 2

# HOOK UP THE OTHER ADAPTOR TO THE SET TOP BOX

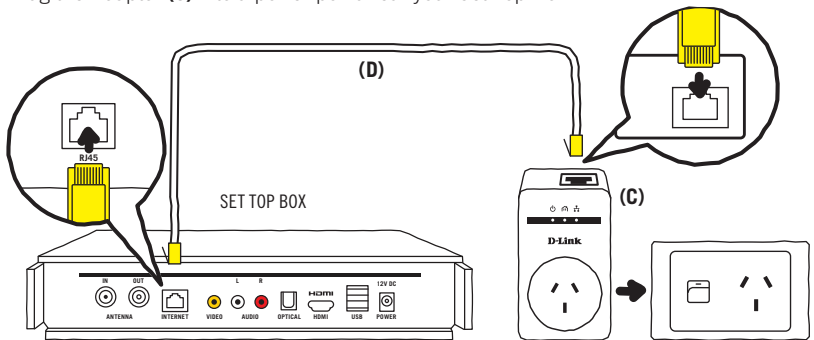
**BITS YOU'LL NEED:** **C. WHITE ADAPTOR** **D. ETHERNET CABLE**

Go to the room with your Set Top Box and TV.

Plug one end of the Ethernet Cable (D) into the port labelled 'INTERNET' on the back of your Optus Set Top Box.

Plug the other end of the Ethernet Cable (D) into the top of the Adaptor (C).

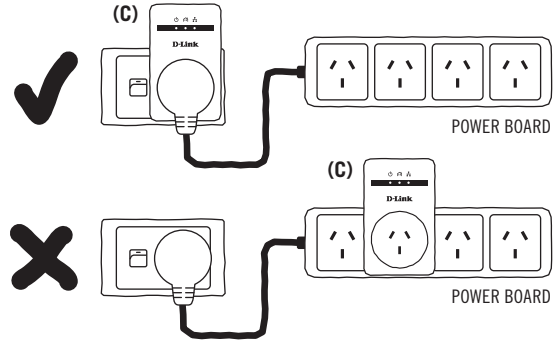
Plug the Adaptor (C) into a power point near your Set Top Box.



### IF YOU'RE USING POWER-BOARDS, EXTENSION CORDS OR SURGE-PROTECTION BOARDS

**DO** plug the Adaptor (C) directly into the wall socket.

**DO** plug the extension cord, surge-protection board or powerboard into the power socket on the front face of the Adaptor (C) only if it is plugged into the wall.



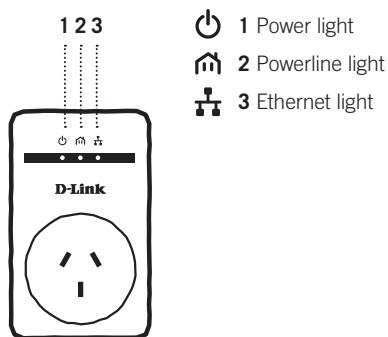
**DON'T** plug the Adaptor (C) directly into an extension cord, surge-protection board or powerboard.

## STEP 3 POWER UP

Turn on the power points for both Adaptors.

Check that both Adaptor Power lights blink and then turn a solid green. The Powerline light should illuminate a solid colour once the Adaptors have found each other.

The Ethernet light on the Adaptor connected to your existing modem or router should turn to a solid green (the Ethernet light on the Adaptor connected to your Set Top Box won't turn green until the Set Top Box is fully setup).



### WHAT DO THE LIGHTS MEAN?

#### Power

Solid: The electrical power is switched on.

Blinking: The Adaptor is in the process of resetting, is in power saving mode or the simple connect button is on.

Off: There is no electrical power.

#### Powerline

Solid on: The Adaptor is connected to a Powerline network.

Off: The Adaptor has not found any other compatible Powerline devices.

**Note:** Colour represents the power line link rate.

#### Ethernet

Solid on: The Ethernet connection is up and running.

Off: There is no Ethernet connection. Check your modem/router or Set Top Box, as they may be turned off.

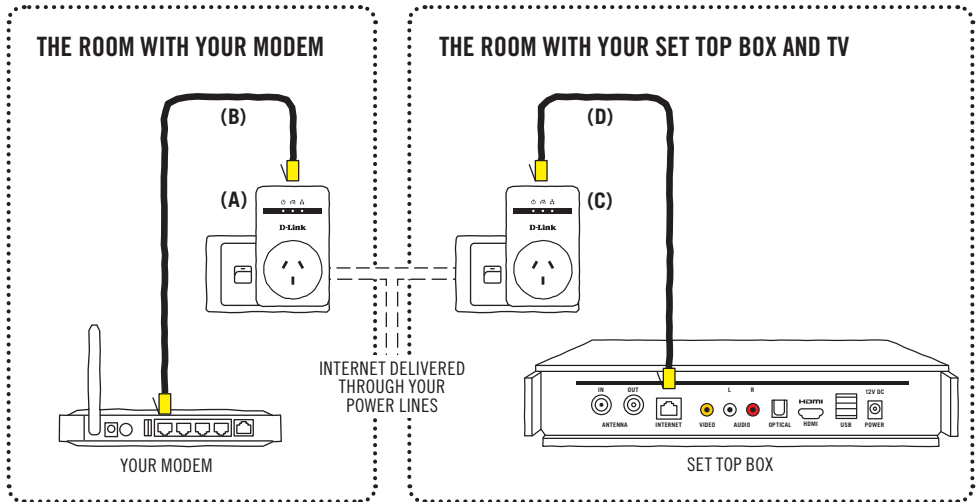
NEED MORE HELP? SEE PAGE 7 FOR FAQs

## IF OK: RETURN TO THE SET TOP BOX GUIDE

If all of the above has been checked, your internet connection should be set up correctly. Go back to **Step 2** in your Set Top Box Quick Install Guide to finish setting up Optus TV.

# IT SHOULD LOOK SOMETHING LIKE THIS

**BITS YOU'LL NEED:** **A.** WHITE ADAPTOR **B.** ETHERNET CABLE  
**C.** WHITE ADAPTOR **D.** ETHERNET CABLE



# WAIT, I NEED HELP!

## GOT ANY ISSUES, PROBLEMS OR HEAD-SCRATCHERS?

### **Q. What if I don't have a spare Ethernet port on my modem or router?**

A. You will need to unplug an existing device from your modem or router to free up an Ethernet port to connect your adaptor.

### **Q. Why is the Power light off?**

A. Make sure that power is supplied to the power socket, and that the Powerline Adaptors are not plugged into an extension cord, power board or surge-protector board.

### **Q. Why is my Powerline LED off?**

A. Move the white adaptor to a power socket location closer to the other white adapter.

Reset both adaptors to factory default settings using the simple connect button. Refer to the full D-Link User Guide for instructions at [support.dlink.com.au](http://support.dlink.com.au)

### **Q. Why does the Powerline light on my device appear to be amber or red?**

A. An amber or red Powerline light indicates that the device has successfully connected to the Powerline network, however it is currently connected between your modem and TV at a lower speed - above 50Mbps (green), between 30Mbps and 50Mbps (amber) or below 30Mbps (red).

Make sure both Adaptors are plugged directly into a power socket and not into a powerboard, extension cord or surge-protection board. If possible, try moving one of the Adaptors to a different power socket.

### **Q. What if the Ethernet light is off?**

A. Make sure that your modem or router and Set Top Box are on and working correctly. Make sure both Ethernet cables are working and securely plugged into the devices. Reset both Adaptors to factory default settings using the simple connect button. Refer to the full D-Link User Guide for instructions at [support.dlink.com.au](http://support.dlink.com.au)

### **Q. Can I change the default encryption key?**

A. Yes. Please refer to the full D-Link User Guide for more information.

Further help is available at [support.dlink.com.au](http://support.dlink.com.au)

**EVERYTHING  
YOU'VE DONE  
SO FAR HAS  
LED TO THIS  
MOMENT**

**WE ARE SURE YOU HAVE MASTERED YOUR  
TASK LIKE A TRUE TECHNICAL GENIUS.**

**BUT, IN CASE YOU NEED A LITTLE HELP,  
PLEASE CALL OPTUS TECHNICAL  
SUPPORT ON 13 39 37 OR GO TO**

**[OPTUS.COM.AU/OPTUSTV/PLCINSTALL](https://optus.com.au/optustv/plcinstall)**