



## Quick Installation Guide

### 802.11ac Dual-Band Unified Access Point

This document will guide you through the basic installation process for your new D-Link Unified Wireless Access Point.

**DWL-6720AP**



## About This Guide

This installation guide provides basic instructions for installing the DWL-6720AP Wireless Access Point on your network. For additional information about how to use the Access Point, please see the User Manual, which is available on the D-Link support website.

## System Requirements

- Windows®, Macintosh®, or Linux-based operating system
- Ethernet port or installed Ethernet adapter
- Internet Explorer 11, Safari 7, Firefox 28, Google Chrome 33 or higher

## Unpacking the Product

Open the shipping carton and carefully unpack its contents. Please consult the packing list below to make sure all items are present and undamaged. If any item is missing or damaged, please contact your local D-Link reseller for a replacement.

- DWL-6720AP 802.11ac Unified Access Point
- Shielded Cat 5E Ethernet Cable
- Mounting Ties (Qty. 2)
- Wall Mount Base
- Console cable (optional)\*
- Grounding Wire

**Note:** To power the DWL-6720AP, please use any D-Link IEEE 802.3af-compliant PoE switch or the D-Link DPE-311GI PoE injector.

\*If this item is not included, it can be purchased separately. Please contact your local D-Link reseller.

## Optional Accessories

- PoE Injector (Model: DPE:311GI)

Note: These accessories are not included in the package. If any of these items are required, please contact your reseller to order it.

## Hardware Overview

### LEDs



Figure 1. DWL-6720AP LEDs

**Status (red/ green):** Red during system booting up or if there is a system error. When it completes booting, the LED will be solid green.

**LAN (PoE in) (green):** The physical connection is up, LED is solid green, and blinks whenever is data transmitting/receiving.

**2.4 GHz (green):** The radio is up, LED is solid green, and blinks whenever is data transmitting/receiving.

**5 GHz (green):** The radio is up, LED is solid green, and blinks whenever is data transmitting/receiving.

### Interfaces

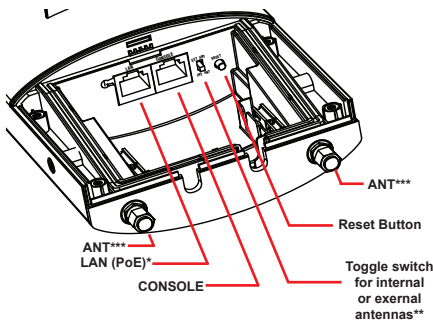


Figure 2. DWL-6720AP Rear Panel

\* DWL-6720AP can be powered via PoE from LAN (PoE)

\*\* A manual reboot is needed whenever switch from internal to external antennas, and vice versa.

\*\*\* (Optional) RP-SMA connectors for external 2.4/5 GHz dual-band antennas.

\*\*\* For external antennas, the toggle switch must be switched to EXT ANT.

# Installation

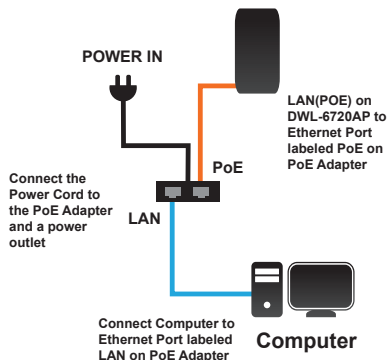


Figure 4. Deployment Example

## Configure the access point

To set up and manage the DWL-6720AP, use one of the following methods:

- LAN on DWL-6720AP to Ethernet Port POE on PoE Adapter
- Connect the Power Cord to the PoE Adapter and a power outlet
- Connect Computer to Ethernet Port labeled LAN on PoE Adapter



- Manage the access point from the computer: Connect the access point and your computer directly via a straight-through Ethernet cable.



- Manage the access point from the computer via the Switch or Router: Connect the access point and your computer to the same switch or router.



- Manage the access point from the computer via the Unified Wireless Switch or Wireless Controller: Connect the access point to a Unified Wireless Switch or Wireless Controller. Connect your computer to the same network as that of the Unified Wireless Switch or Wireless Controller.

## Mounting Options

Pole Mount and Wall Mount are options for the DWL-6720AP.

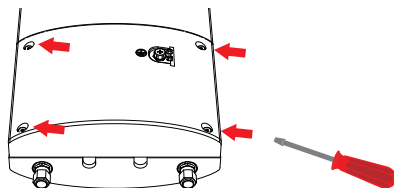
## Cable Requirement

Use a Cat 5 cable with an even sheath. The Ethernet ports on the DWL-6720AP access point cannot accept a Cat 5 cable that has an uneven sheath; the RJ-45 connector on the cable will not fit properly into the receptacle on the access point.

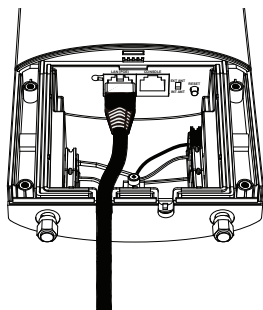
## Pole Mounting Installation

### Installation

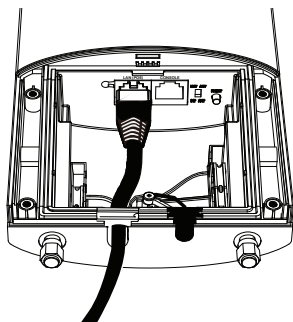
1. Open the bottom panel with a Phillips screwdriver.



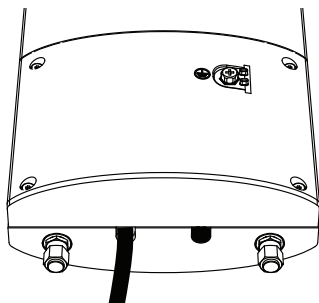
2. Plug the one end of Cat 5 cable into the LAN port on DWL-6720AP, and the other end to the port labeled POE on the PoE Adapter.



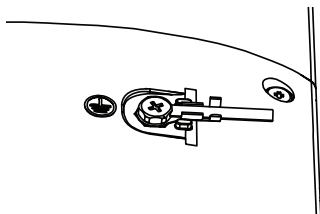
3. Choose a gasket (6 mm or 4 mm) to fit the Ethernet cable; if CONSOLE is not in-use, please put on the black gasket.



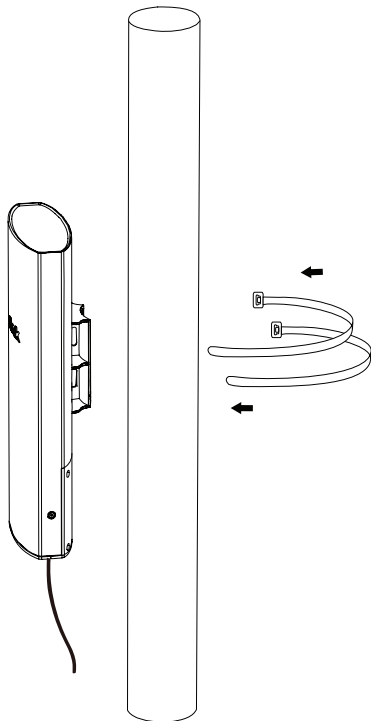
4. Close the bottom panel with a Phillips screw-driver.



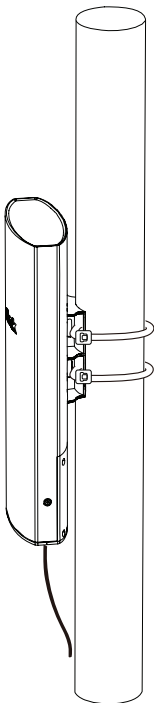
5. Attach a grounding wire.



6. Attach access point to a pole



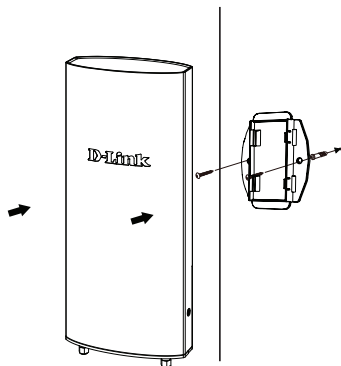
7. Fasten the mounting ties.



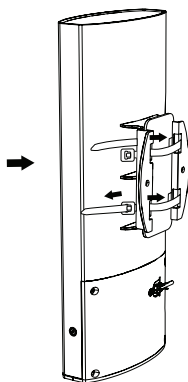
## Wall Mounting Installation

### Installation

1. Use the supplied screws to attach the Wall Mount Base to the wall.



2. Attach DWL-6720AP to the Wall Mount Base. Thread and fasten the Mounting Ties.



## Appendix A - Statements

### Federal Communication Commission Interference Statement

This equipment has been tested and found to comply with the limits for a Class B digital device, pursuant to Part 15 of the FCC Rules. These limits are designed to provide reasonable protection against harmful interference in a residential installation. This equipment generates, uses and can radiate radio frequency energy and, if not installed and used in accordance with the instructions, may cause harmful interference to radio communications. However, there is no guarantee that interference will not occur in a particular installation. If this equipment does cause harmful interference to radio or television reception, which can be determined by turning the equipment off and on, the user is encouraged to try to correct the interference by one of the following measures:

- Reorient or relocate the receiving antenna.
- Increase the separation between the equipment and receiver.
- Connect the equipment into an outlet on a circuit different from that to which the receiver is connected.
- Consult the dealer or an experienced radio/TV technician for help.

**FCC Caution:** Any changes or modifications not expressly approved by the party responsible for compliance could void the user's authority to operate this equipment.

This device complies with Part 15 of the FCC Rules. Operation is subject to the following two conditions: (1) This device may not cause harmful interference, and (2) this device must accept any interference received, including interference that may cause undesired operation.

### **IMPORTANT NOTE:**

#### **Radiation Exposure Statement:**

This equipment complies with FCC radiation exposure limits set forth for an uncontrolled environment. This equipment should be installed and operated with minimum distance 20cm between the radiator & your body.

This transmitter must not be co-located or operating in conjunction with any other antenna or transmitter.

Country Code selection feature to be disabled for products marketed to the US/CANADA

### Professional installation instruction

Please be advised that due to the unique function supplied by this product, the device is intended for use with our interactive entertainment software and licensed third-party only. The product will be distributed through controlled distribution channel and installed by trained professional and will not be sold directly to the general public through retail store.

#### 1. Installation personal

This product is designed for specific application and needs to be installed by a qualified personal who has RF and related rule knowledge. The general user shall not attempt to install or change the setting.

#### 2. Installation location

The product shall be installed at a location where the radiating antenna can be kept 20cm from nearby person in normal operation condition to meet regulatory RF exposure requirement.

#### 3. External antenna

Use only the antennas which have been approved by the applicant. The non-approved antenna(s) may produce unwanted spurious or excessive RF transmitting power which may lead to the violation of FCC/IC limit and is prohibited.

#### 4. Installation procedure

Please refer to user's manual for the detail.

#### 5. Warning

Please carefully select the installation position and make sure that the final output power does not exceed the limit set force in relevant rules. The violation of the rule could lead to serious federal penalty.

#### Industry Canada statement

This device complies with Industry Canada's licence-exempt RSSs. Operation is subject to the following two conditions:

(1) This device may not cause interference; and (2) This device must accept any interference, including interference that may cause undesired operation of the device.

Cet appareil est conforme aux CNR exemptes de licence d'Industrie Canada. Son fonctionnement est soumis aux deux conditions suivantes:

(1) Ce dispositif ne peut causer d'interférences; et(2) Ce dispositif doit accepter toute interférence, y compris les interférences qui peuvent causer un mauvais fonctionnement de l'appareil.

#### Caution:

(i) the maximum antenna gain permitted for devices in the bands 5250-5350 MHz and 5470-5725 MHz shall comply with the e.i.r.p. limit; and

(ii) the maximum antenna gain permitted for devices in the band 5725-5825 MHz shall comply with the e.i.r.p. limits specified for point-to-point and non point-to-point operation as appropriate.

(iii) Users should also be advised that high-power radars are allocated as primary users (i.e. priority users) of the bands 5250-5350 MHz and 5650-5850 MHz and that these radars could cause interference and/or damage to LE-LAN devices.

#### Avertissement:

(i) le gain maximal d'antenne permis pour les dispositifs utilisant les bandes 5 250-5 350 MHz et 5 470-5 725 MHz doit se conformer à la limite de p.i.r.e.;

(ii) le gain maximal d'antenne permis (pour les dispositifs utilisant la bande 5 725-5 825 MHz) doit se conformer à la limite de p.i.r.e. spécifiée pour l'exploitation point à point et non point à point, selon le cas.

(iii) De plus, les utilisateurs devraient aussi être avisés que les utilisateurs de radars de haute puissance sont désignés utilisateurs principaux (c.-à-d., qu'ils ont la priorité) pour les bandes 5 250-5 350 MHz et 5 650-5 850 MHz et que ces radars pourraient causer du brouillage et/ou des dommages aux dispositifs LAN-EL.

#### Radiation Exposure Statement:

This equipment complies with IC radiation exposure limits set forth for an uncontrolled environment. This equipment should be installed and operated with minimum distance 20cm between the radiator & your body.

#### Déclaration d'exposition aux radiations:

Cet équipement est conforme aux limites d'exposition aux rayonnements IC établies pour un environnement non contrôlé. Cet équipement doit être installé et utilisé avec un minimum de 20 cm de distance entre la source de rayonnement et votre corps.

**Instructions d'installation professionnelle**

**Veillez noter que l'appareil est dédié à une fonction unique, il doit être utilisé avec notre logiciel propriétaire de divertissement interactif. Ce produit sera proposé par un réseau de distribution contrôlé et installé par des professionnels; il ne sera pas proposé au grand public par le réseau de la grande distribution.**

**1. Installation**

**Ce produit est destiné à un usage spécifique et doit être installé par un personnel qualifié maîtrisant les radiofréquences et les règles s'y rapportant. L'installation et les réglages ne doivent pas être modifiés par l'utilisateur final.**

**2. Emplacement d'installation**

**En usage normal, afin de respecter les exigences réglementaires concernant l'exposition aux radiofréquences, ce produit doit être installé de façon à respecter une distance de 20 cm entre l'antenne émettrice et les personnes.**

**3. Antenne externe.**

**Utiliser uniquement les antennes approuvées par le fabricant. L'utilisation d'autres antennes peut conduire à un niveau de rayonnement essentiel ou non essentiel dépassant les niveaux limites définis par FCC/IC, ce qui est interdit.**

**4. Procédure d'installation**

**Consulter le manuel d'utilisation.**

**5. Avertissement**

**Choisir avec soin la position d'installation et s'assurer que la puissance de sortie ne dépasse pas les limites en vigueur. La violation de cette règle peut conduire à de sérieuses pénalités fédérales.**

**NCC 警語：**

電磁波曝露量MPE標準值(MPE) 1mW/cm<sup>2</sup>，送測產品實值為0.178mW/cm<sup>2</sup>

經型式認證合格之低功率射頻電機，非經許可，公司，商號或使用者均不得擅自變更頻率、加大功率或變更原設計之特性及功能。

低功率射頻電機之使用不得影響飛航安全及干擾合法通信；經發現有干擾現象時，應立即停用，並改善至無干擾時方得繼續使用。

前項合法通信，指依電信法規定作業之無線電通信。低功率射頻電機須忍受合法通信或工業、科學及醫療用電波輻射性電機設備之干擾。

**無線傳輸設備 (UNII)**

無線資訊傳輸設備須忍受合法通信之干擾且不得干擾合法通信；如造成干擾，應立即停用，俟無干擾之虞，始得繼續使用。

無線資訊傳輸設備的製造廠商應確保頻率穩定性，如依製造廠商使用手冊上所述正常操作，發射的信號應維持於操作頻帶中。

本器材須經專業工程人員安裝及設定，始得設置使用，且不得直接販售給一般消費者

Mode	Conducted power for each antenna (dBm)	
	Saw Filter Source	
	1	2
11b, 1TX	24.76	24.90
11b, 2TX	26.48	26.53
11g, 1TX	29.03	29.30
11g, 2TX	29.80	29.98
HT20	29.90	29.93
HT40	29.58	29.68
11a, 1TX	25.52	25.52
11a, 2TX	27.12	27.12
HT20	26.84	26.84
HT40	26.79	26.79



**CE Mark Warning:**

This is a Class B product. In a domestic environment, this product may cause radio interference, in which case the user may be required to take adequate measures.

**DWL-6720AP****Power Usage**

This device is an Energy Related Product (ErP) with High Network Availability (HiNA), and automatically switches to a power-saving Network Standby mode within 1 minute of no packets being transmitted. If it is not needed during certain periods of time, it can be unplugged to save energy.

Network Standby: 3.90 watts

## NOTES

## NOTES

## NOTES

## NOTES

## NOTES

## NOTES

**D-Link®**



Ver. 1.00(WW)\_130x183  
2019/10/08  
290726006720A10