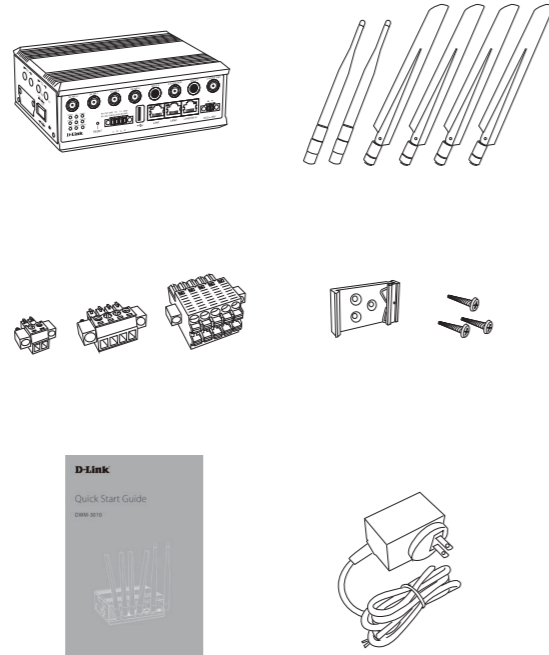
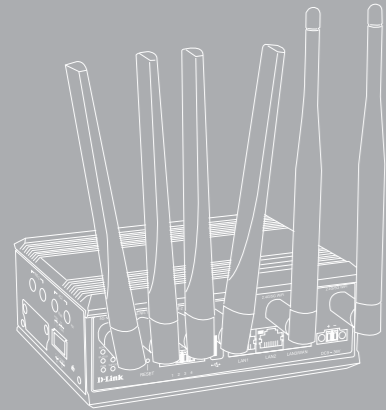


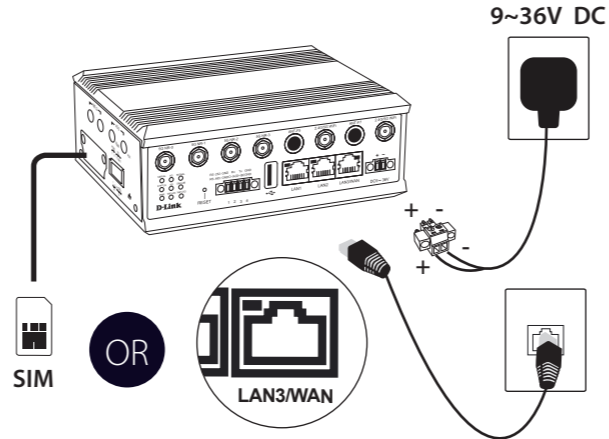
**D-Link**

# Quick Start Guide

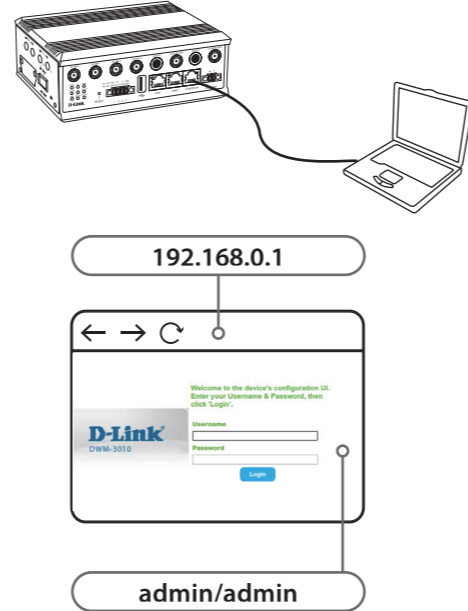
DWM-3010



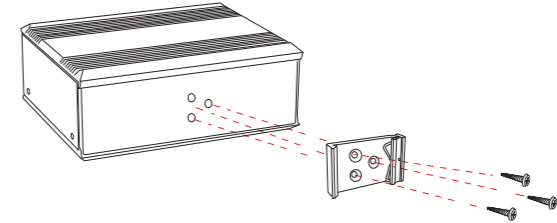
1



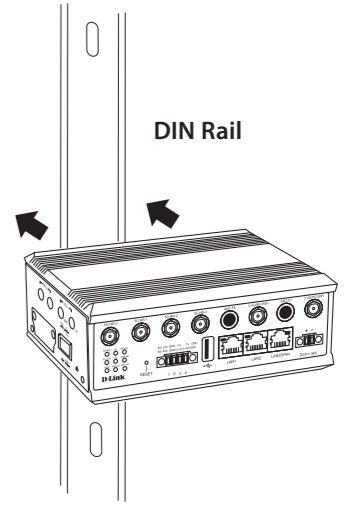
2

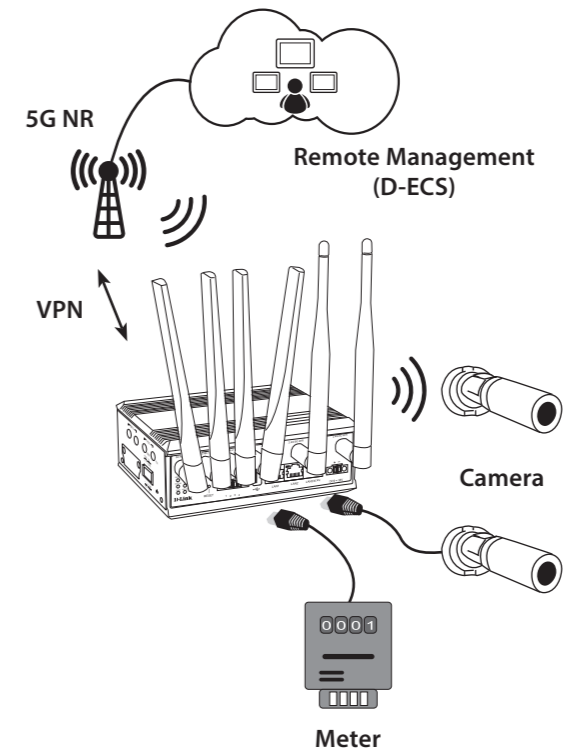
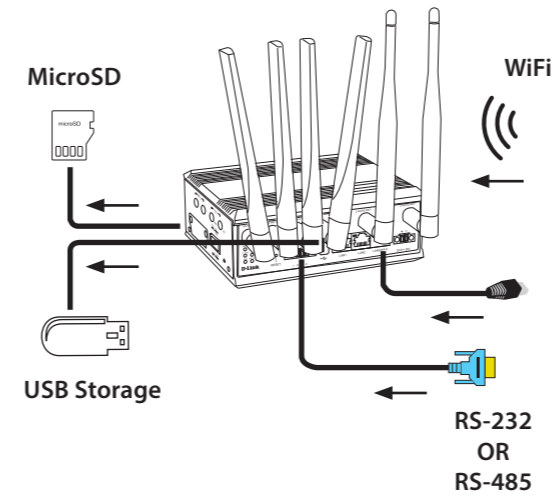
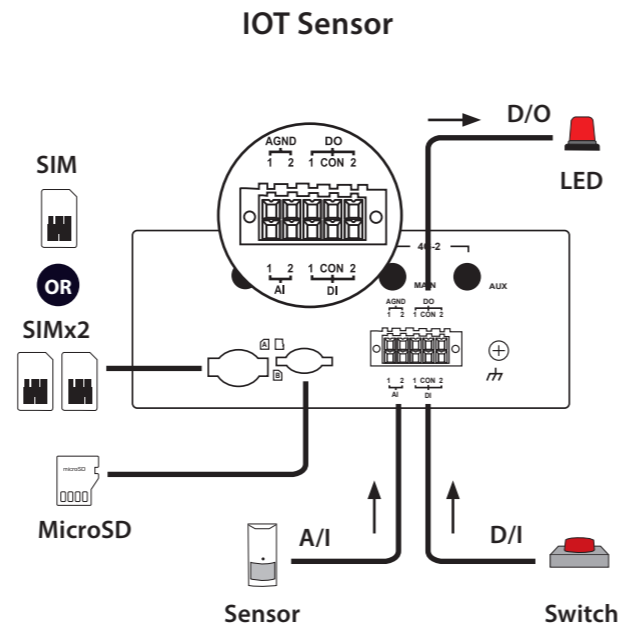
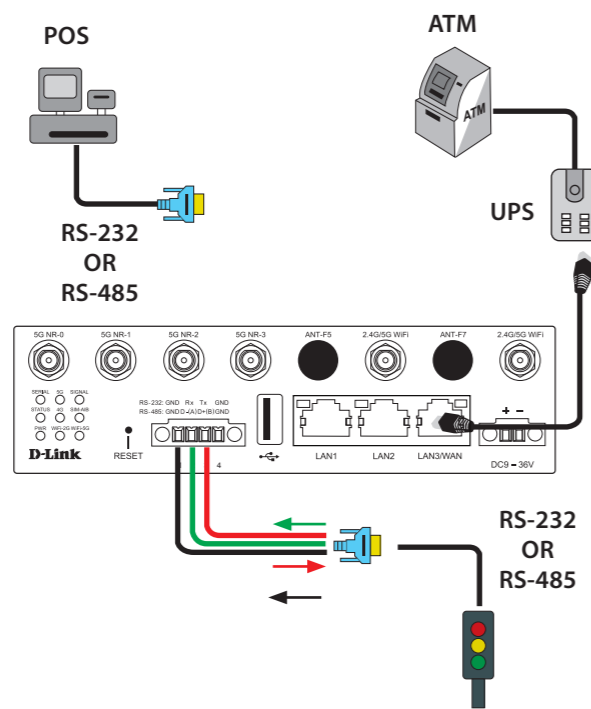
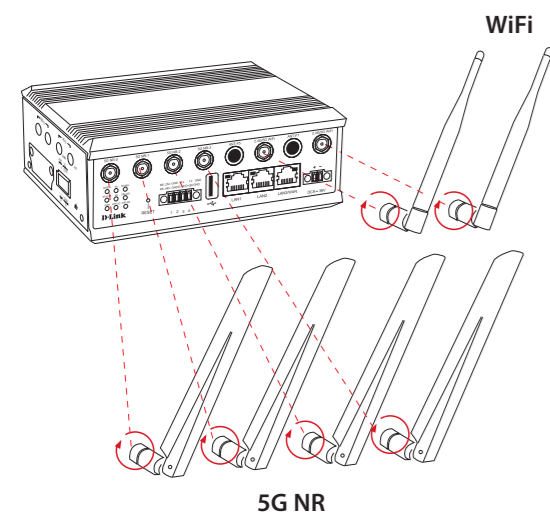


3



4





<http://www.dlink.com/support>



<http://www.dlink.com/warranty>