

## Features

- On-screen Display (OSD)
- Supports daisy chaining with up to 3 cascade levels. Cascaded units do not require a special configuration.
- Keyboard emulation prevents boot errors
- Supports hot-plugging: All devices connected to the KVM can be added or removed at any time without shutting down the KVM.
- Select a PC to switch to using one of 3 interfaces:
  - Front Panel Button
  - Hot-Keys on a PS/2 keyboard
  - OSD Menu (On Screen Display)
- LED display for PC and/or server status monitoring

## Compatibility

- Fully compliant with USB 1.1/ 2.0 specifications
- Support for Windows, Linux, Mac OS 9/ OS X, and Sun Microsystems Operating Systems
- Rack mountable in 19" system rack (1U)
- Monitor resolutions of up to 2048 x 1536

## Convenient 4 in 1 KVM Cables

- D-Link's 4 in 1 Cables allow you to easily connect multiple PCs or chain several KVM switches together
- Three convenient cable sizes:
  - **KVM-401:** 1.8 Meters
  - **KVM-402:** 3 Meters
  - **KVM-403:** 5 Meters
- Product Standard Certification UL 2919

<sup>1</sup> Daisy-chain configuration using KVM-450

## PS2/USB 8/16 Port Combo KVM Switch



The D-Link PS2/USB 8/16 Port Combo KVM Switch is a high-end local remote management solution which allows you to control up to 4096\* PCs from a single console.

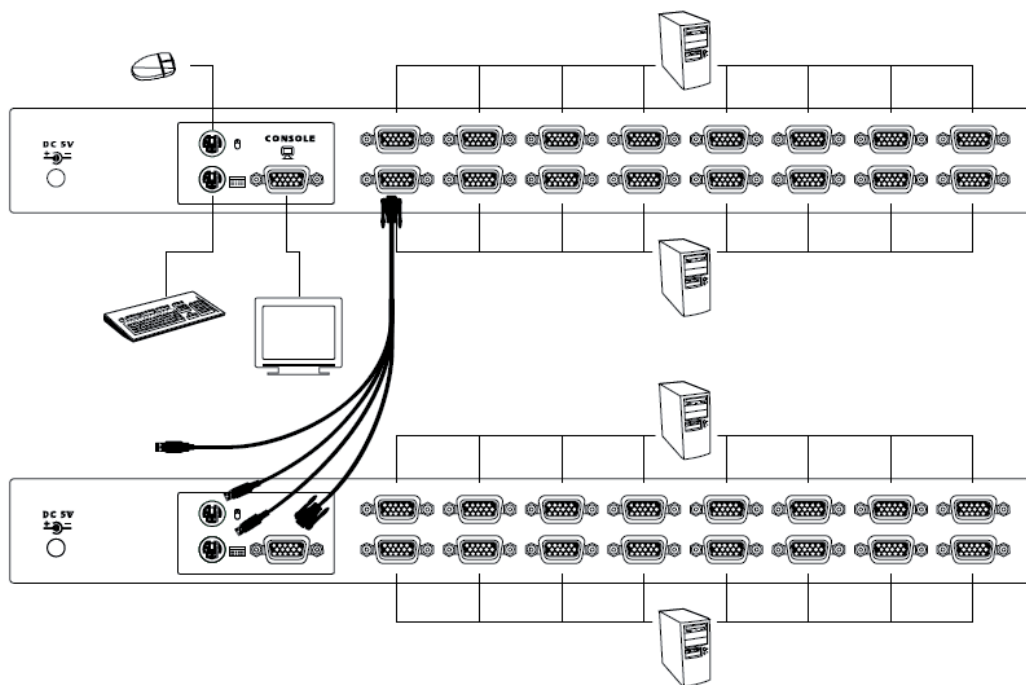
### Versatile Management

Toggle between clients using the front panel buttons, keyboard hotkeys, or On-screen Display (OSD) menu. The on-screen menu allows you to label each channel with a descriptive name, providing clear and easy navigation. A convenient Auto-Scan function allows you to automatically toggle between multiple computers sequentially at preset intervals. The front panel LEDs assist with workstation/server status monitoring. Green LEDs indicate that systems are online, while separate red LEDs indicate when a particular system has been selected for management via console.

### Convenient Installation

The sturdy metal chassis is mountable in a standard 19" rack. Daisy chain multiple KVM switches together up to three levels deep; cascaded units require no special configuration and automatically configure themselves as master or slave. Target workstations can be connected via keyboard/mouse or PS/2 using a custom combo cable. A PS/2 or USB keyboard is emulated on each terminal allowing all attached computers to successfully boot without keyboard errors. Hot-pluggable connections allow you to add devices to or remove them from the KVM switch without the need to shut it down.

### Example: Cascade Chaining Configuration



### Technical Specifications

#### KVM-440

#### KVM-450



<b>Number of Computers Controlled</b>		8	16
<b>Selection Method</b>		Push Button and Hot-Key (PS/2 Keyboard) or On-Screen-Display (OSD)	
<b>LEDs</b>		Red for PC Selected Green for PC On-line/Ready	
<b>PC Connectors</b>	<b>Video</b>	8 x HDB-15 female	16 x HDB-15 female
	<b>Keyboard/Mouse</b>	PS/2 & USB Signal Combined	
<b>Console Ports</b>	<b>Keyboard</b>	1 x 6 pin mini-DIN female	
	<b>Mouse</b>	1 x 6 pin mini-DIN female	
	<b>Video</b>	1 x HDB-15 female	
<b>Firmware Upgrade Port</b>		Mini USB	
<b>Auto-Scan Interval</b>		Adjustable time setting by OSD menu	
<b>DDC, DDC2 monitor</b>		Maximum resolution up to 2048 x 1536 @ 65 Hz	
<b>Hot-swappable</b>		Yes	
<b>Operating Systems Supported</b>		Windows 98SE/ME/2000/2003/2008/XP/Vista/7 Linux, Mac OS 9/OS X and Sun Microsystems	
<b>Power</b>		By external power adapter	
<b>Dimensions (L x W x H)</b>		44 x 15.7 x 4.5 cm (17.3 x 6.1 x 1.5 inches)	
<b>Weight</b>		1750 g	1900 g
<b>Housing Material</b>		Metal	
<b>Operating Temperature</b>		0-50°C (32°-122°F)	
<b>Humidity</b>		0%-80% Relative Humidity	
<b>Certifications</b>		FCC, CE, C-Tick, IC, CSA	

### Technical Specifications

#### KVM-401

#### KVM-402

#### KVM-403



<b>Length</b>	1.8 Meters	3 Meters	5 Meters
<b>Weight</b>	231 g	322 g	467 g
<b>VGA</b>	1 x HDB-15 male		
<b>USB</b>	USB Type A male		
<b>PS/2 (Mouse)</b>	1 x 6 pin mini-DIN male		
<b>PS/2 (Keyboard)</b>	1 x 6 pin mini-DIN male		
<b>KVM Connector</b>	1 x 15-Pin male		



D-Link Corporation  
No. 289 Xinhua 3rd Road, Neihu, Taipei 114, Taiwan  
Specifications are subject to change without notice.  
D-Link is a registered trademark of D-Link Corporation and its overseas subsidiaries.  
All other trademarks belong to their respective owners.  
©2010 D-Link Corporation. All rights reserved.  
Release 02 (October 2010)