

## Product Highlights

### Power over Ethernet Convenience

Power over Ethernet (PoE) provides integrators with a single cable for both power and networking, making it unnecessary to invest in infrastructure cabling

### Full HD Resolution with Wide Dynamic Range

A high-resolution megapixel sensor provides full HD resolution while Wide Dynamic Range technology ensures that you capture the details you need

### Complete Day/Night Surveillance Solution

Keep watch over an area 24 hours a day with built-in night vision; the IR LEDs and automatic IR-cut filter give you a clear picture, even in complete darkness



## DCS-4603

# Vigilance Full HD PoE Dome Camera

## Features

### Exceptional Video Quality

- 1/3" 3 megapixel progressive CMOS sensor
- Max. resolution of 2048 x 1536
- Wide Dynamic Range image enhancement
- H.264, MJPEG codec support for streaming and recording
- 3D filtering reduces noise in low-light environments

### Versatile Placement

- Power over Ethernet (PoE) ensures easy and flexible integration into your network
- Built-in IR LED illuminator with a 10-meter range for use in dark areas
- Range of mounting options for flexible placement

### Advanced

- Motion detection and notification for automated event recording
- Privacy mask blocks areas from unwanted recording
- 10/100 Fast Ethernet port
- ONVIF-certified for worldwide compatibility

The D-Link DCS-4603 Vigilance Full HD PoE Dome Camera is a high-definition professional surveillance and security solution suitable for small, medium, and large enterprises. The camera uses a high-sensitivity 1/3" 3 megapixel progressive scan CMOS sensor with onboard WDR image enhancement to deliver truly superior quality video in all conditions. The all-in-one design makes this camera extremely reliable and ideal for deployment in surveillance applications without the need for additional accessories.

## High-Quality Streaming & Recording

To maximize bandwidth efficiency and improve image capture, the DCS-4603 supports real-time video compression using the H.264 and MJPEG codecs, providing the highest quality and video recording possible. Separate profiles for simultaneous video streaming and recording allows for a wide variety of security applications, such as monitoring public areas to detect incidents and to coordinate responses, enforcing access control to restricted areas, deterring criminal activity, or monitoring inventory.

## Flexible Connectivity

The DCS-4603 has a built-in 802.3af-compliant PoE module that simplifies installation by providing power and networking connectivity over a single cable, reducing the need to install additional cabling. Optional mounting hardware is also available for applications and environments that require special mounts for the most effective surveillance of any area.

## Versatile Monitoring Options

The DCS-4603's Wide Dynamic Range image enhancement gives you improved image quality in environments with uneven or difficult lighting, so you can identify subjects that are backlit or in brightly lit areas. In low-light situations, the IR-cut filter automatically slides out of the way to use all available light. The DCS-4603 also has built-in IR LED illuminators with a 10-meter range, allowing the camera to keep watch even in complete darkness. These features work together to provide a reliable surveillance camera capable of monitoring an area 24 hours a day.

### Robust Management Software

The DCS-4603 Vigilance Full HD PoE Dome Camera includes D-ViewCam, a complete surveillance software package that enables you to view, manage, and record from up to 32 cameras on a single computer in a central location.

Recordings and e-mail alerts can be triggered through motion detection or events triggered by digital input devices, keeping administrators informed of any unusual activity.



### Technical Specifications

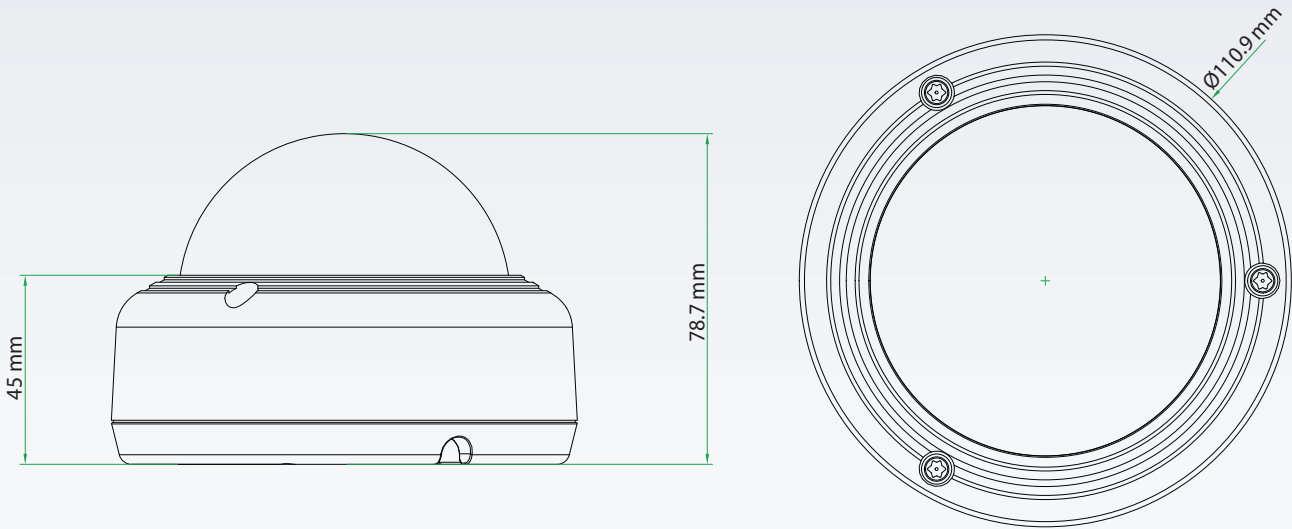
#### Camera

Camera Hardware Profile	<ul style="list-style-type: none"> <li>• 1/3" 3 Megapixel progressive CMOS sensor</li> <li>• Built-in Infrared-Cut Removable (ICR) filter module</li> <li>• Minimum illumination:               <ul style="list-style-type: none"> <li>• Color (Day Mode): 0.5 lux</li> <li>• B/W (Night Mode), IR LEDs off: 0.25 lux</li> <li>• B/W (Night Mode), IR LEDs on: 0 lux</li> </ul> </li> <li>• IR illumination distance: 10 m</li> <li>• Focal length: 2.8 mm</li> <li>• Minimum object distance 0.2 m</li> <li>• Aperture: F2.0</li> </ul>	<ul style="list-style-type: none"> <li>• 10x digital zoom</li> <li>• Angle of view (16:9):               <ul style="list-style-type: none"> <li>• (H) 84°</li> <li>• (V) 48°</li> </ul> </li> <li>• Adjustment angle (non-motorized):               <ul style="list-style-type: none"> <li>• Vertical: 340°</li> <li>• Horizontal: 60°</li> <li>• Rotation: 340°</li> </ul> </li> </ul>
Image Features	<ul style="list-style-type: none"> <li>• Configurable image size, quality, frame rate, and bit rate</li> <li>• Time stamp and text overlays</li> <li>• Configurable motion detection windows</li> </ul>	<ul style="list-style-type: none"> <li>• Configurable privacy mask zones</li> <li>• Configurable shutter speed, brightness, saturation, contrast, sharpness, WDR, and 3D filter</li> </ul>
Video Compression	<ul style="list-style-type: none"> <li>• Simultaneous H.264/MJPEG format compression</li> <li>• H.264/MJPEG multicast streaming</li> </ul>	<ul style="list-style-type: none"> <li>• JPEG for still images</li> </ul>
Video Resolution	<ul style="list-style-type: none"> <li>• 16:9               <ul style="list-style-type: none"> <li>• 1920 x 1080, 1280 x 720, 800 x 448, 640 x 360 up to 30 fps</li> </ul> </li> </ul>	<ul style="list-style-type: none"> <li>• 4:3               <ul style="list-style-type: none"> <li>• 2048 x 1536 up to 15 fps</li> <li>• 1440 x 1080, 1280 x 960, 900 x 720, 800 x 592, 640 x 480 up to 30 fps</li> </ul> </li> </ul>
External Device Interfaces	<ul style="list-style-type: none"> <li>• 10/100 BASE-TX Fast Ethernet port</li> </ul>	<ul style="list-style-type: none"> <li>• Supports 802.3af PoE Class 2</li> </ul>

Network		
Network Protocols	<ul style="list-style-type: none"> <li>• IPv6</li> <li>• IPv4</li> <li>• ARP</li> <li>• TCP/IP</li> <li>• UDP</li> <li>• ICMP</li> <li>• DHCP client</li> <li>• NTP client (D-Link)</li> <li>• DNS client</li> <li>• DDNS client (D-Link)</li> <li>• SMTP client</li> <li>• FTP client</li> </ul>	<ul style="list-style-type: none"> <li>• HTTP/HTTPS</li> <li>• Samba client</li> <li>• PPPoE</li> <li>• UPnP port forwarding</li> <li>• RTP/RTSP/RTCP</li> <li>• IP filtering</li> <li>• Multicast</li> <li>• CoS</li> <li>• QoS/DSCP</li> <li>• SNMP</li> <li>• ONVIF compliant</li> </ul>
Security	<ul style="list-style-type: none"> <li>• Administrator and user group protection</li> <li>• Password authentication</li> </ul>	<ul style="list-style-type: none"> <li>• HTTP and RTSP authentication</li> </ul>
System Management		
System Requirements for Web Interface	<ul style="list-style-type: none"> <li>• Browser: Internet Explorer, Firefox, Safari</li> </ul>	
Event Management	<ul style="list-style-type: none"> <li>• Motion detection</li> <li>• Event notification and uploading of snapshots/video clips via e-mail or FTP</li> </ul>	<ul style="list-style-type: none"> <li>• Supports multiple SMTP and FTP servers</li> <li>• Multiple event notifications</li> <li>• Multiple recording methods for easy backup</li> </ul>
Remote Management	<ul style="list-style-type: none"> <li>• Take snapshots/video clips and save to local hard drive</li> </ul>	<ul style="list-style-type: none"> <li>• Configuration interface accessible via web browser</li> </ul>
D-ViewCam™ System Requirements	<ul style="list-style-type: none"> <li>• Operating System: Microsoft Windows 8/7/Vista</li> <li>• Web Browser: Internet Explorer 7 or higher</li> </ul>	<ul style="list-style-type: none"> <li>• Protocol: TCP/IP</li> </ul>
D-ViewCam™ Software Functions	<ul style="list-style-type: none"> <li>• Remote management/control of up to 32 cameras</li> <li>• Supports all management functions provided in web interface</li> </ul>	<ul style="list-style-type: none"> <li>• Viewing of up to 32 cameras on one screen</li> <li>• Scheduled motion triggered, or manual recording options</li> </ul>
General		
Weight	<ul style="list-style-type: none"> <li>• 385 g (13.58 ounces) ± 5%</li> </ul>	
External Power Adapter (not included)	<ul style="list-style-type: none"> <li>• Input: 100 to 240 V AC, 50/60 Hz</li> </ul>	<ul style="list-style-type: none"> <li>• Output: 12 V DC 1.5 A</li> </ul>
Power Consumption	<ul style="list-style-type: none"> <li>• 4.2 watts ± 5%</li> </ul>	
Temperature	<ul style="list-style-type: none"> <li>• Operating: 0 to 40 °C (32 to 104 °F)</li> </ul>	<ul style="list-style-type: none"> <li>• Storage: -20 to 70 °C (-4 to 158 °F)</li> </ul>
Humidity	<ul style="list-style-type: none"> <li>• Operating: 20% to 80% non-condensing</li> </ul>	<ul style="list-style-type: none"> <li>• Storage: 5% to 95% non-condensing</li> </ul>
Certifications	<ul style="list-style-type: none"> <li>• CE</li> <li>• CE LVD</li> </ul>	<ul style="list-style-type: none"> <li>• FCC</li> <li>• C-Tick</li> </ul>

# DCS-4603 Vigilance Full HD PoE Dome Camera

## Dimensions



## Optional Products

Mounts

• DCS-37-1 Wall type mount bracket

• DCS-37-2 Ceiling type mount bracket

## Order Information

Part Number

Description

DCS-4603

Vigilance Full HD PoE Dome Camera

Updated 11/29/2016