

## Product Highlights

### No Cabling to Install, No Complicated Setup

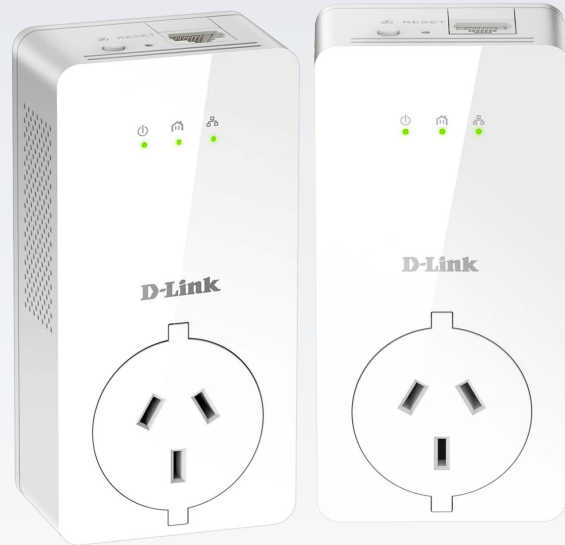
Use your existing in-home electrical wiring and turn any electrical power outlet into an Ethernet network connection, with plug and play simplicity

### Continued Use of Electrical Socket

Passthrough design allows you to continue using your electrical socket by plugging another device into the integrated electrical outlet

### Advanced Multimedia Streaming

High speed data transfer rates of up to 2000 Mbps for streaming media, high-speed Internet, online gaming, VoIP calls, and HD video



## DHP-P701AV

# PowerLine AV2 2000 Gigabit Passthrough Kit

## Features

### Convenient Home Networking Solution

- Connect two rooms by simply plugging in a pair of adapters
- Share your Internet connection or share files between computers
- Subtle design discreetly blends into you home

### Connectivity

- PowerLine data transfer rates of up to 2000 Mbps<sup>2</sup>
- Gigabit Ethernet Port
- PowerLine interface compatible with IEEE 1901 and HomePlug AV2 standards
- Passthrough socket enables you to plug a device into adapter
- MIMO capability for increased throughput

### Security Features

- Simple Connect button for secure, hassle-free network setup
- 128-bit AES data encryption with key management for secure communications over electrical wiring

### Simple Setup

- Plug in to any existing power outlet to create an instant network
- Connect more rooms by simply plugging in additional adapters

The DHP-P701AV PowerLine AV2 2000 Gigabit Passthrough Kit uses your home's existing electrical wiring to create a network or extend your existing network.<sup>1</sup> Simply plug one adapter into your existing router to turn any power outlet in your home into an Internet connection and then plug the other adapter into the room you want to extend your connection to.

These PowerLine adapters also feature an extra passthrough power socket to ensure that your electrical outlet remains available for use by another device while the PowerLine adapter is plugged into the socket. The Passthrough socket features noise filtering which helps prevent signal noise from any electrical device plugged into the socket from affecting your PowerLine connection.

## Data Transmission Over Electrical Wiring

The D-Link DHP-P701AV PowerLine AV2 2000 Gigabit Passthrough Kit turns every power outlet into a possible network connection to access digital media devices, game consoles, print servers, computers, and network storage devices throughout your home. Compliance with the HomePlug AV2 standard and backward compatibility with the HomePlug AV standard ensure that the DHP-P701AV can be used with older PowerLine devices.

## Ideal For Bandwidth-Intensive Applications

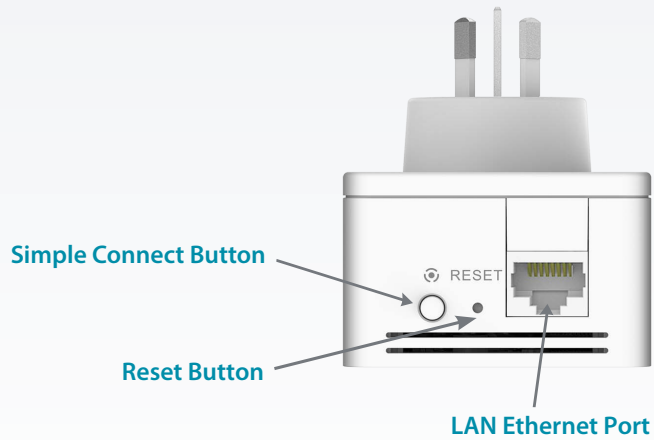
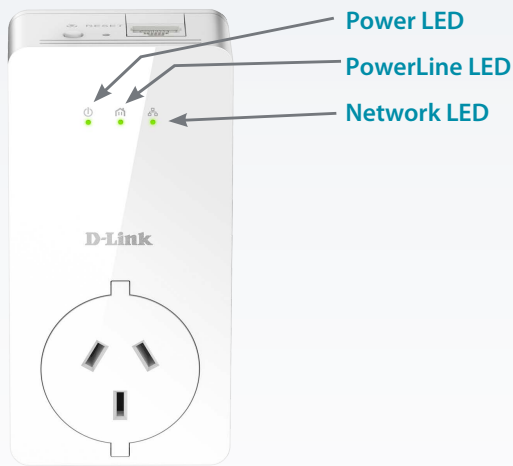
The DHP-P701AV is capable of delivering data transfer rates of up to 2000 Mbps.<sup>2</sup> This rapid transmission speed makes it ideal for bandwidth-intensive applications, guaranteeing smooth HD video streaming, VoIP calls, and online gaming. In addition, it prioritizes Internet traffic to help ensure that your streaming movies and music don't skip or stutter while web surfing and downloading files at the same time. Now you can experience high-quality multimedia streaming throughout your home, all through your existing electrical wiring.

**Convenient Setup And Secure Operation**

The DHP-P701AV plugs directly into a power outlet, and does not require any additional cables. Extend your home network by connecting multiple devices in the farthest corners of your home, or attach a switch or wireless access point to the adapter for additional connectivity. For convenient setup, an encryption key can be quickly configured with the push of a button; 128 bit AES data encryption protects your network from unauthorized wire tapping. With hassle-free plug and play installation, the DHP-P701AV is an ideal solution to create a wall-to-wall home network.

**Saves Power Automatically**

The DHP-P701AV incorporates a power saving mode that automatically places the adapter in sleep mode if no data transmission or reception occurs over a certain period of time, reducing power usage by more than 85%. This helps you save energy automatically without sacrificing performance.



**Technical Specifications**

**General**

Powerline Interface	• Power plug
Ethernet Interface	• RJ-45 Gigabit Ethernet LAN port

**Functionality**

Standards	• IEEE 802.3 • IEEE 802.3u	• IEEE 1901 • HomePlug AV2
Security	• 128-bit AES data encryption	
LEDs	• Power • Ethernet	• PowerLine
Powerline Modulation Scheme	• OFDM Symbol Modulation	
Powerline Frequency Band	• 2 MHz to 86 MHz	
Data Rate	• Ethernet: 10/100/1000 Mbps (auto negotiation)	• PowerLine: Up to 2000 Mbps (PHY rate)

## PowerLine AV2 2000 Gigabit Passthrough Kit

Physical	
Dimensions	• 119 x 60 x 37.75 mm
Weight	• 210 grams
Power	• Input: 100 to 240 V AC, 50/60 Hz
Power Consumption	• 3.7 W maximum
Temperature	• Operating: 0 to 40 °C • Storage: -20 to 65 °C
Humidity	• Operating: 10% to 90% non-condensing • Storage: 5% to 95% non-condensing
Certifications	• CE • FCC • RoHS • RCM • UL • CE/LVD
Order Information	
<i>Part Number</i>	<i>Description</i>
DHP-P701AV	PowerLine AV2 2000 Gigabit Passthrough Kit

<sup>1</sup> Power outlets and electrical wiring must all be part of the same electrical system. Certain electrical conditions in your home, such as wiring condition and configuration, may affect the performance of this product. Additional D-Link PowerLine AV series products are required to add new devices to the network. A minimum of two D-Link PowerLine AV series products are required to create a network. Connecting this product to a power strip with a surge protector may adversely affect the performance of this product. For best results, plug the adapter directly into a wall outlet.

<sup>2</sup> Maximum throughput is based on theoretical transmission PHY rate. Actual data throughput will vary. Network conditions and environmental factors, including volume of traffic and network overhead, may lower actual data throughput rate. Interference from devices that emit electrical noise, such as vacuum cleaners and hair dryers, may adversely affect the performance of this product. This product may interfere with devices such as lighting systems that have a dimmer switch or a touch-sensitive on/off feature, short wave radios, or other PowerLine devices that do not follow the HomePlug AV standard.