

## Product Highlights

### More Powerful PoE

Bring the benefits of more powerful IEEE 802.3at PoE to non-PoE devices with this compact and cost-effective PoE solution

### Bring Power Anywhere

Support existing non-PoE devices and add new devices even where there are no outlets without using extension cords or installing electrical infrastructure

### More Flexibility

Install devices easily by simply setting the correct output voltage (5 V, 9 V, or 12 V) and plugging in Ethernet cables; no additional software is required



## DPE-301GS

# 30W PoE Splitter

## Features

### Simplicity

- Plug-and-Play, so no software required
- Reduces installation and network equipment costs by removing the need for electrical wiring
- Provides power over existing network cabling when paired with a Power Source Equipment (such as the DPE-301GI) to a non-PoE device

### Flexible Power Options

- Separates a PoE Ethernet cable into DC power and a standard Ethernet cable
- Supports 5 V, 9 V, and 12 V output voltages
- Transforms incoming AC power to low-voltage DC power

### Gigabit Connectivity

- Receives power up to 100 meters away (328 feet)<sup>1</sup>
- Connect your devices at Gigabit speeds, all from a compact device
- Auto-negotiation on Ethernet port

### Reliability

- IEEE 802.3at (PoE+) and IEEE 802.3af (PoE) compliant
- Compatible with all standard PoE devices and restricts power input to avoid damaging Power Sourcing Equipment
- Overcurrent protection

The IEEE 802.3at/af compliant DPE-301GS PoE Splitter provides Gigabit Ethernet and high wattage electrical power to connect legacy devices that do not support PoE by separating power and data from a PoE source. This effectively turns any device into a PoE device, giving you the ability to mount your non-PoE device virtually anywhere in a building since it doesn't require a power outlet.

## Powers More Devices

Remotely connect a wider variety of more power demanding devices with the DPE-301GS. The DPE-301GS outputs up to 5 V DC, 9 V DC, or 12 V DC, making it better able to cope with the demands of surveillance cameras, 802.11ac networking devices, security equipment, and even consumer electronics.

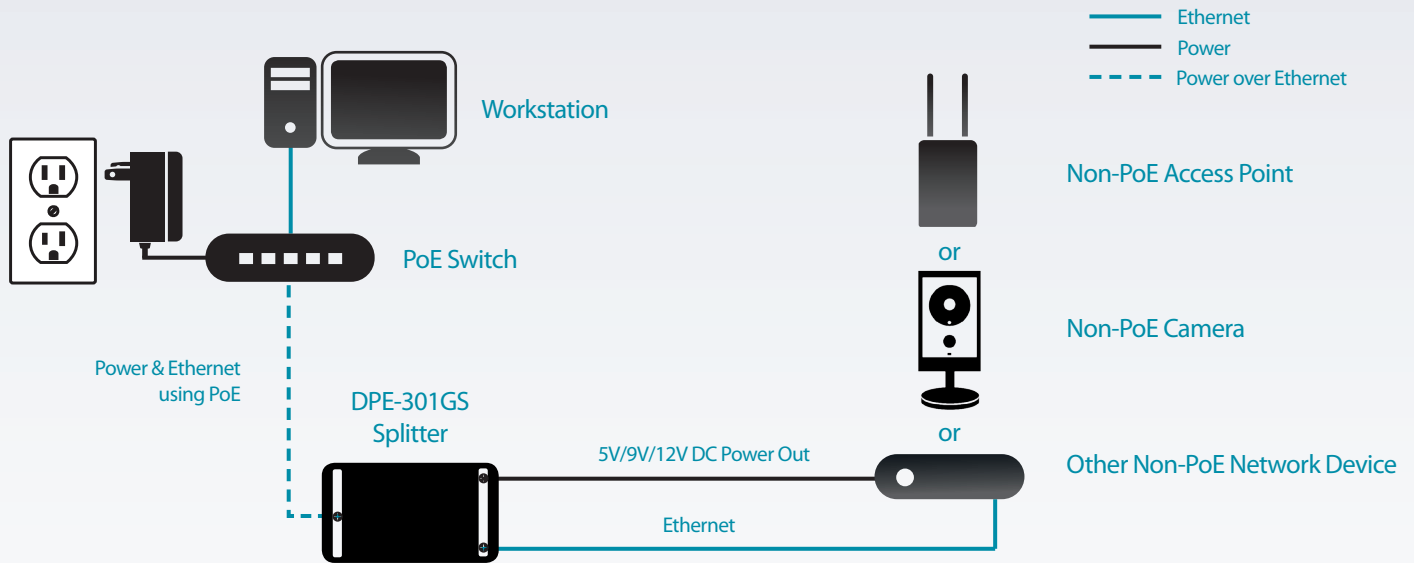
## Greater Flexibility

Network administrators can use the DPE-301GS to deploy wireless LAN devices and cameras in hard-to-reach places such as entryways, rooftops, ceilings, or any other place not usually in close proximity to a power outlet. This means that administrators can position network devices where they will be most effective, rather than having to settle for less desirable locations due to the limited availability of power, use unsightly extension cables, and avoid the hassle and expense of installing new electrical wiring.

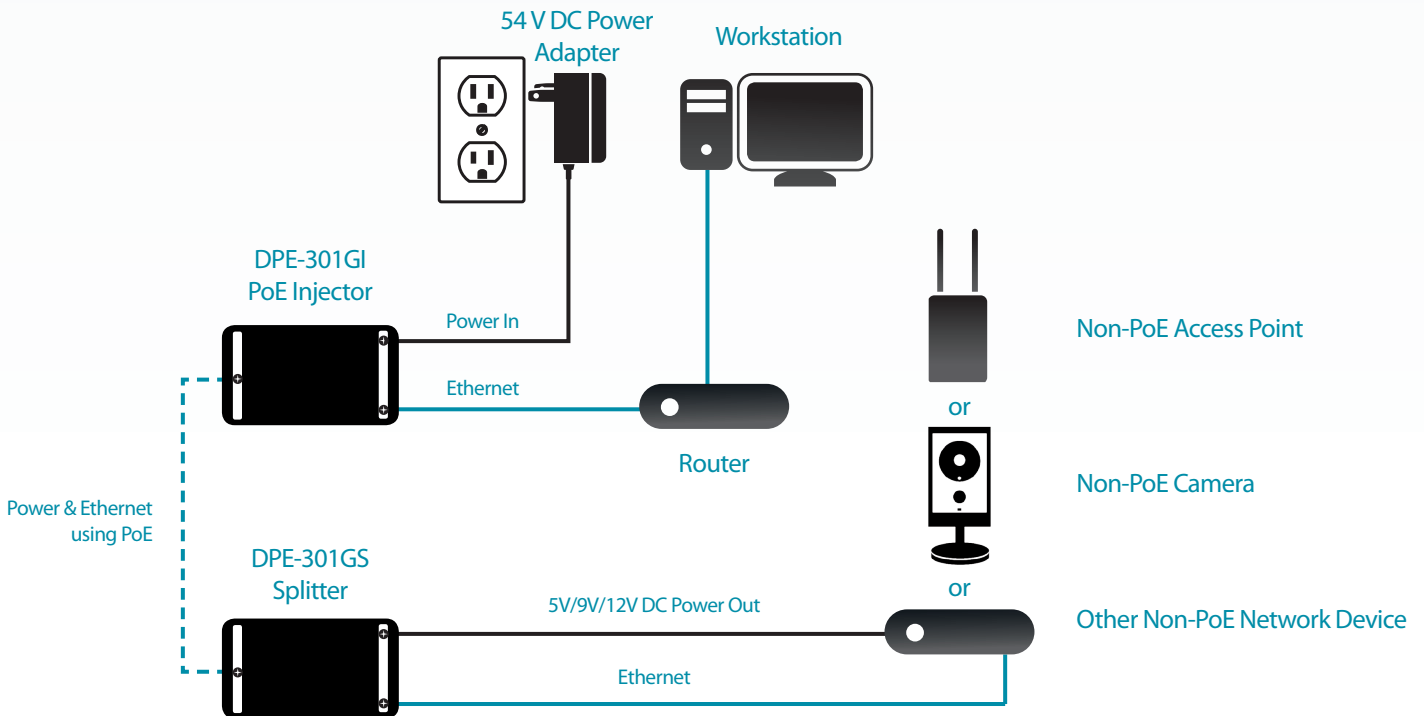
## Reliable Connectivity

The DPE-301GS can be powered using an IEEE 802.3af/at power supply that has overcurrent protection. Its high efficiency DC-DC converter provides an output short-circuit protection to avoid damaging the connected device.

**Setup Example - Powered by PoE Switch**



**Setup Example - Powered by PoE Injector<sup>2</sup>**



## Technical Specifications

### Ports

PoE In	<ul style="list-style-type: none"> <li>• Supports half/full-duplex operation</li> <li>• 10/100/1000BASE-T port</li> <li>• IEEE 802.3 compliant</li> </ul>	<ul style="list-style-type: none"> <li>• IEEE 802.3u compliant</li> <li>• IEEE 802.3ab compliant</li> <li>• IEEE 802.3at compliant</li> <li>• IEEE 802.3af compliant</li> </ul>
Lan Out	<ul style="list-style-type: none"> <li>• Supports half/full-duplex operation</li> <li>• 10/100/1000BASE-T port</li> <li>• IEEE 802.3 compliant</li> </ul>	<ul style="list-style-type: none"> <li>• IEEE 802.3u compliant</li> <li>• IEEE 802.3ab compliant</li> </ul>
LED Indicator	<ul style="list-style-type: none"> <li>• Green: Power On</li> </ul>	

### Physical

Dimensions (L x W x H)	• 109.8 x 62.2 x 24.5 mm (4.32 x 2.45 x 0.96 inches)	
Weight	• 98 grams (3.46 ounces)	
Power Output	<ul style="list-style-type: none"> <li>• 5 V DC up to 2.5 A</li> <li>• 9 V DC up to 2 A</li> </ul>	• 12 V DC up to 2 A
Included Power Adapter Cables	• 5.5 mm to 3.8 mm male to male	• 5.5 mm to 5.5 mm male to male
Temperature	• Operating: 0 to 60 °C (32 to 140 °F)	• Storage: -30 to 70 °C (-22 to 158 °F)
Humidity	• Operating: 5% to 95% non-condensing	• Storage: 5% to 95% non-condensing
Certifications	<ul style="list-style-type: none"> <li>• CE</li> <li>• FCC</li> <li>• VCCI</li> </ul>	<ul style="list-style-type: none"> <li>• RCM</li> <li>• RoHS</li> </ul>

<sup>1</sup> Maximum distance as per 802.3u specifications  
<sup>2</sup> DPE-301GI (PoE Injector) sold separately

Note: If the DPE-301GS is connected to outdoor devices, it is recommended to install a surge protector such as the DPE-SP110.

Updated 2015/11/09

# DPE-301GS 30W PoE Splitter

Order Information	
<i>Part Number</i>	<i>Description</i>
DPE-301GS	30W PoE Splitter