

## QUICK INSTALLATION GUIDE



### Dual Band Wireless N750 VDSL2+ Modem Router

DSL-2870B

## Package Contents



Dual Band Wireless N750 Gigabit VDSL2+ Modem Router (DSL-2870B)



Power Adapter



Ethernet Cable



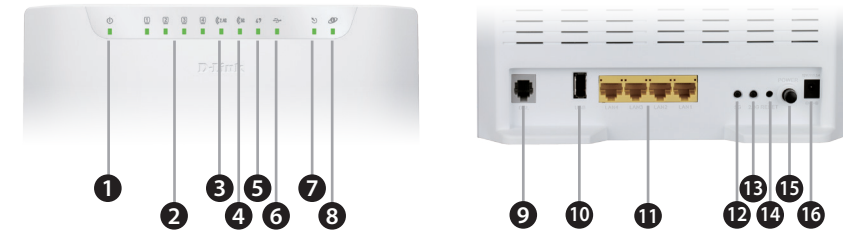
Microfilter/Splitter



Quick Install Guide

If any of the above items are missing, please contact your reseller/retailer.

## Hardware Overview



1	Power LED	A solid green light indicates a proper connection to the power supply.
2	LAN (1~4) LEDs	A solid green light indicates a connection to a Gigabit Ethernet device while an amber light indicates a connection to a 10/100 device. The light will blink during data transmission.
3	2.4G Wireless LED	A solid green light indicates that the 2.4G wireless is ready. The light will blink during data transmission.
4	5G Wireless LED	A solid green light indicates that the 5G wireless is ready. The light will blink during data transmission.
5	WPS LED	The light will blink during the WPS process.
6	USB LED	A solid green light indicates a connection to a USB device.
7	ADSL LED	A solid green light indicates a proper connection to the ADSL enabled telephone line.
8	Internet LED	A solid green light indicates a proper connection to your broadband service. The light will blink during data transmission.
9	ADSL Port	Connect to an ADSL enabled telephone line and the supplied microfilter/splitter.
10	USB Port	Connect USB devices such as printers, scanners or storage.
11	LAN (1~4) Ports	Connect Ethernet devices such as computers, switches, and game consoles.
12	5G WiFi Button	Press for three seconds to enable/disable 5G wireless network.
13	2.4G WiFi Button	Press for three seconds to enable/disable 2.4G wireless network.
14	Reset Button	Press and hold the reset button with a paper clip for ten seconds to reset the router to the factory default settings.
15	Power Button	Press to turn on or off the device.
16	Power Port	Connect the supplied power adapter.

## Minimum Requirements

### Internet Requirements:

- An activated VDSL or ADSL telephone line and account with an Internet provider
- or
- An active NBN/UFB connection and account with an Internet provider

### Web-based Configuration Requirements:

- Device with the following:
- An installed Ethernet adapter or wireless adapter

### Supported Browsers:

- Internet Explorer 7 or higher
- Safari 4 or higher
- Chrome
- Firefox

### mydlink™ Requirements (optional):

- iPhone/iPad/iPod Touch (iOS 3.0 or higher)
- Android device (1.6 or higher)
- Web Browser Requirements:
  - Internet Explorer 7 or higher
  - Safari 5 or higher
  - Chrome
  - Firefox

### Note:

To learn more about mydlink, visit [www.mydlink.com.au](http://www.mydlink.com.au) or [www.mydlink.co.nz](http://www.mydlink.co.nz).

**If you experience issues registering this Modem Router with your mydlink account, try performing a hard reset by using an unfolded paperclip to press and hold the reset button for 10 seconds while the Modem Router is powered on.**

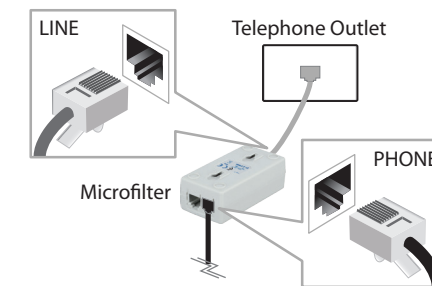
## Before you Start

- **Internet Provider Account Details** - If you are using an Australian or New Zealand ADSL connection, you will need your user name and password. If you do not have this information, contact your Internet provider.

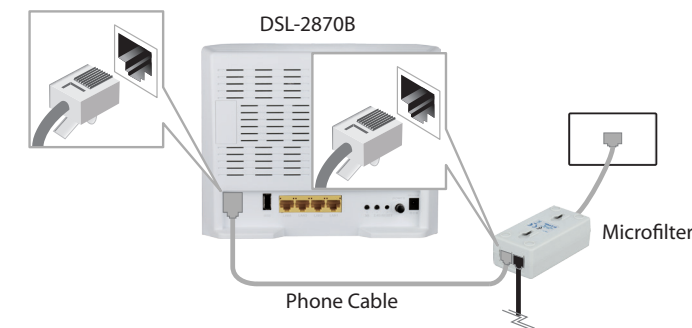
Do not proceed until you have this information.

## Connect your Modem Router

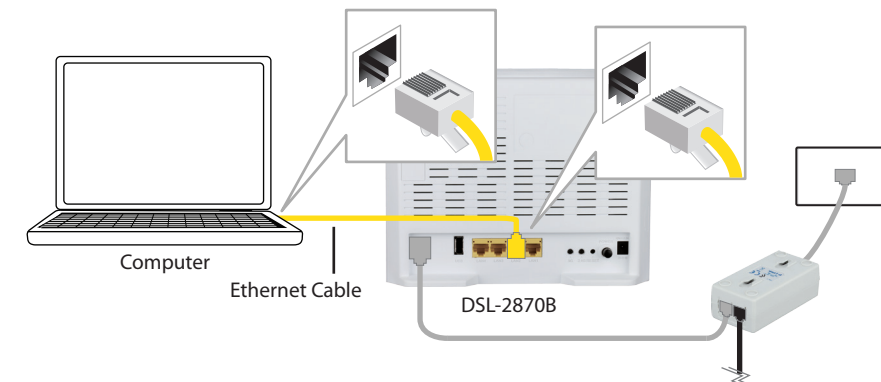
- 1 Connect your existing Phone cable from the telephone outlet to the LINE port on the Microfilter and your telephone handset into the PHONE port.



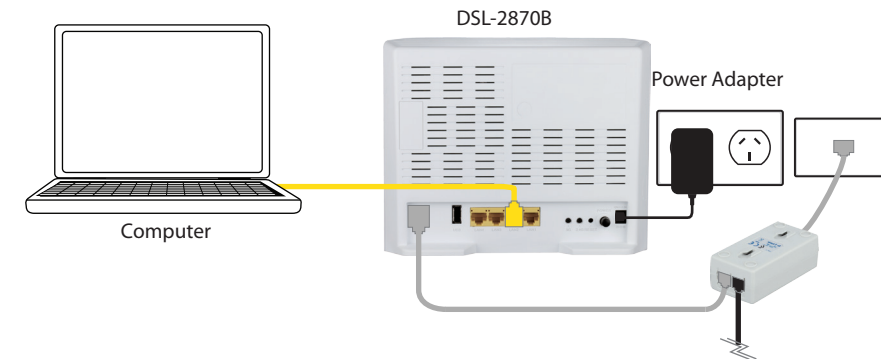
- 2 Connect the Phone cable from the DSL port on the Microfilter to the ADSL port of the modem router.



- 3 Connect the Ethernet cable from the LAN port of the modem router to the Ethernet port on your computer.



- 4 Plug the power adapter into your modem router and connect to an available power outlet.



- 5 After the modem router has powered up, verify that the Power and ADSL LEDs are both lit.



- 6 Continue with the *Configuration* section on the other side of this document.

## Configuration

There are two options to configure your modem router:

A. **One-Touch app** - Use a mobile device with the D-Link One-Touch app.

B. **Web Browser** - Use a web browser from your computer.

### Option A. One-Touch Setup

- Scan the code below or search "D-Link One-Touch" (App Store or Google Play) to download the D-Link One-Touch app to your iPhone, iPad, or Android device.



iOS



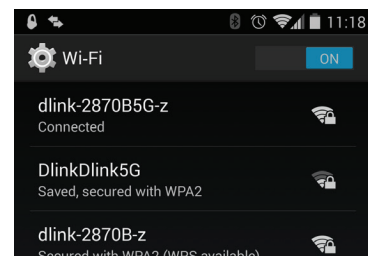
Android



One-Touch App

- Once your app is installed, you may now configure your modem router. Connect to the modem router wirelessly by going to your wireless utility on your device. The default Wi-Fi Networks are *dlink-2870B-z* and *dlink-2870B5G-z*. Select either one and connect.

**Note:** By default, the DSL-2870B does not have any wireless security enabled. It is strongly suggested to enable security and create a Wi-Fi Password during the setup wizard to secure your wireless network.



- Once connected via wireless, click on the **D-Link One-Touch** icon from your mobile device, then click Start to continue. Please follow the on-screen instructions to complete the setup.

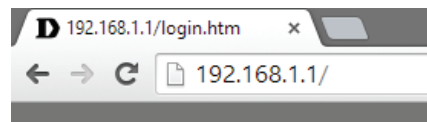
- Once the Setup Complete screen appears, click **Finish**. You will then be asked if you wish to save the Profile card with all of the details that you have just configured, it is recommended to select **YES** for future use.

**Note:** "mydlink" is **not configured** using this app. If you wish to use this feature it will need to be setup via the advanced web interface of the DSL-2870B.

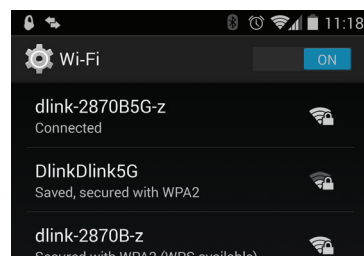
**Congratulations! You have completed the modem router installation.**

### Option B. Web Browser Setup

- Open a web browser (e.g., Internet Explorer, Chrome, Firefox, or Safari) and enter the IP address of the router (**http://192.168.1.1**). The default username and password will be **admin** and **admin** respectively.



**Note:** If you want to configure your modem router from a wireless computer or mobile device, connect to the router wirelessly by going to your wireless utility on your device. The default Wi-Fi Networks are *dlink-2870B-z* and *dlink-2870B5G-z*. Select one and then continue to step 2.



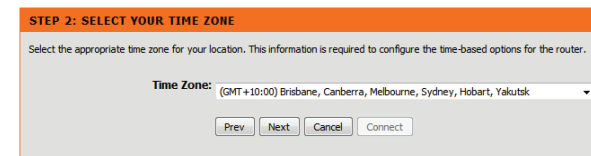
- When the Welcome screen appears, click **Next** to start the wizard.



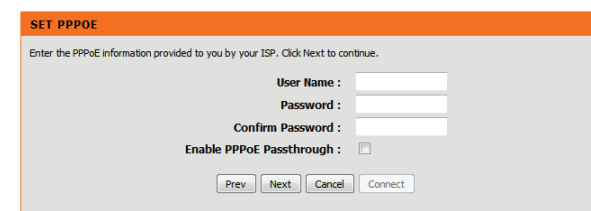
- Enter a new **Password** and **Verify Password** to secure your modem router, click **Next** to continue.



- Select your **Time Zone** from the list, click **Next** to continue.

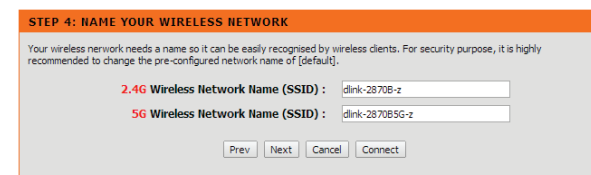


- Select your **WAN Mode**, **Country** and **Internet Provider** from the list, click **Next** to continue.



Now enter your **User Name** and **Password** as provided by your Internet Provider, click **Next** to continue.

- Enter a new **Wireless Network Name (SSID)** for both the 2.4G and 5G networks available in this modem router, click **Next** to continue.

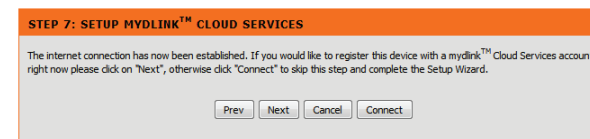


- Select the security method that you wish to use for your wireless networks, click **Next** to continue. D-Link recommends that you select **BEST**.

Enter a **Wireless Security Password** (also known as a passphrase or Wi-Fi Password) for each wireless network, click **Next** to continue.

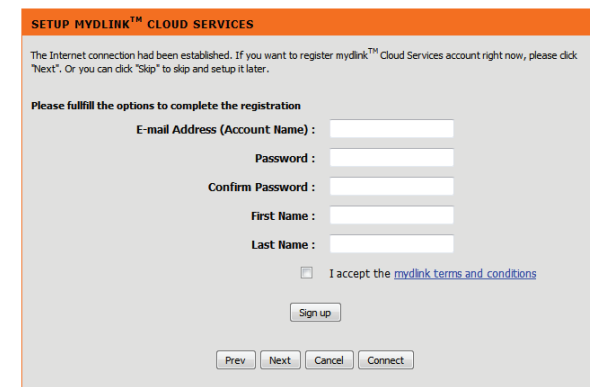


- If you want to register the router with the mydlink service, click **Next** to continue, otherwise click **Connect** to finish setting up your router.



**Note:** Setting up "mydlink" is **optional** and not required for the modem router to function.

- Select **Yes, I have a mydlink™ account** then click **Next** to complete the registration of your device to your mydlink account. Otherwise if you are a new user, then please select **No, I want to register and login with a new mydlink™ account** to complete the registration process. Click **Sign up** to complete the registration and the Setup Wizard.



**Congratulations! You have completed the modem router installation.**

## Troubleshooting

### How do I connect my wireless devices to the DSL-2870B modem router?

- Open your wireless network utility that displays available wireless networks.
- Select the Wi-Fi Network name you assigned in the wizard and connect.

**Note:** If you did not run the setup wizard or you reset the router to its default settings, refer to the label on the router for the default Wi-Fi Network Name and Wi-Fi Password.

### How do I change the wireless settings on the DSL-2870B modem router?

- Open a web browser (e.g. Internet Explorer, Chrome, Firefox, or Safari) and enter the IP address of the router (**http://192.168.1.1**).
- At the login screen, type in **admin** for the user name and enter the router password you created in the wizard (**admin** by default).
- Go to **Setup > Wireless Settings > Manual Wireless Network Setup** to create a new Wi-Fi network name (SSID) and Wi-Fi password.

### How do I reset the DSL-2870B modem router to factory default settings?

- Ensure the device is powered on.
- Press and hold the reset button on the rear of the device for 10 seconds.

**Note:**

Resetting the router to factory default will erase the current configuration settings. To reconfigure your settings, log into the router using the and follow the Web Browser Setup Wizard or run the One-Touch Setup app

Documentation available at <http://www.dlink.com.au/DSL-2870B>

## Technical Support

Having trouble installing your new product? D-Link's website contains the latest user documentation and software updates for D-Link products. Australian and New Zealand customers can contact D-Link Technical Support through our website.

**Australia**

Internet: <http://support.dlink.com.au>

**New Zealand**

Internet: <http://support.dlink.co.nz>

Copyright ©2014 D-Link Corporation/D-Link Australia Pty Ltd. All rights reserved. D-Link and the D-Link logo are registered trademarks of D-Link Corporation or its subsidiaries in Australia and other countries. iPhone, iPad, and iPod touch are registered trademarks of Apple Inc. Android is a trademark of Google, Inc. Other trademarks are the property of their respective owners. Maximum wireless signal rate derived from IEEE Standard 802.11g and 802.11n specifications. Actual data throughput will vary. Network conditions and environmental factors, including volume of network traffic, building materials and construction, and network overhead, lower actual data throughput rate. Environmental factors will adversely affect wireless signal range. Product specifications, size and shape are subject to change without notice, and actual product appearance may differ from that depicted on the packaging. Visit [www.dlink.com.au](http://www.dlink.com.au) for more details.

Version 2.1 | June 12, 2014

**D-Link**