

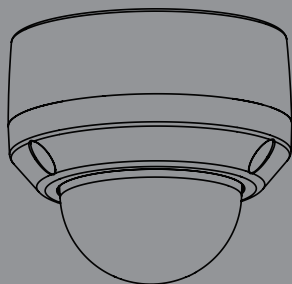


## Quick Installation Guide

### Full HD Outdoor Fixed Dome Network Camera

This document will guide you through the basic installation process for your new D-Link Network Camera.

**DCS-6314**



---

# DCS-6314 Quick Install Guide

This installation guide provides basic instructions for installing the DCS-6314 Network Camera on your network. For additional information about how to use the camera, please see the User's Manual which is available on the CD included in this package or from the D-Link support website.

## Installation Steps

1. Verify the package contents against the list below.
2. Hardware Overview
3. Micro SD Card Installation
4. Hardware Installation
5. Configuration with Wizard
6. Adjusting the lens 3-axis angle

## 1. Package Contents

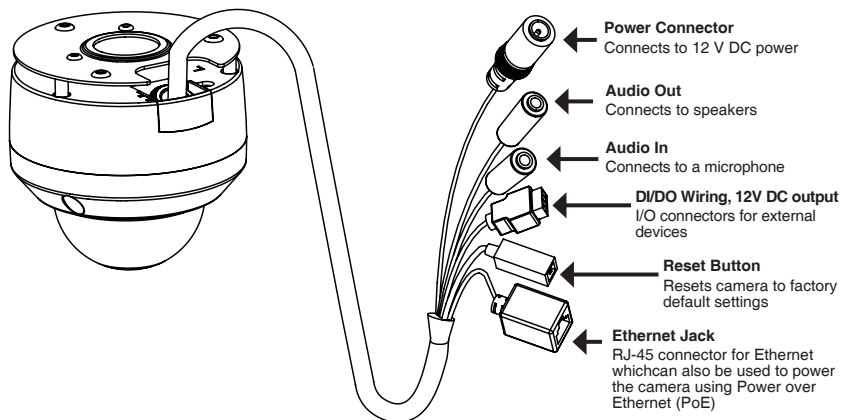
- DCS-6314 Network Camera
- Manual and Software on CD-ROM
- Quick Install Guide
- Power Adapter
- Security Wrench
- CAT-5 Ethernet Cable
- Screws and wall socket
- Weather Shield
- 4Pin Terminal Block

If any of the above items are missing, please contact your reseller.

### Safety Notice:

Installation and servicing should be done by certified technicians so as to conform to all local codes and prevent voiding your warranty.

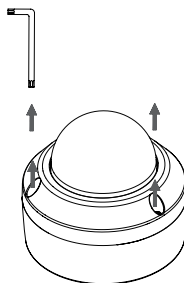
## 2. Hardware Overview



## 3. Micro SD Card Installation

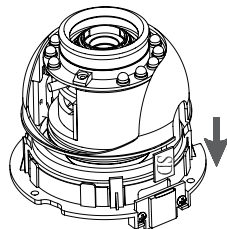
### Disassemble the Camera

Open the camera enclosure by loosening the 3 screws. Lift the dome off the base of the camera.



### Install the Micro SD Card

Push the Micro SD card into the camera with the gold contacts oriented towards the base of the camera. To eject the Micro SD card, push the Micro SD card into the slot.



## 4. Standard Mounting Instructions

### Mounting Installation

Please see the User Manual for detailed instructions regarding installation and mounting of the camera using a mounting bracket.

### Style 1 - Concealed Cable Installation

- Height: 25.6 mm (1.0 inches)
- Diameter: 122 mm (4.8 inches)
- Weight: 135g (0.3 lbs)

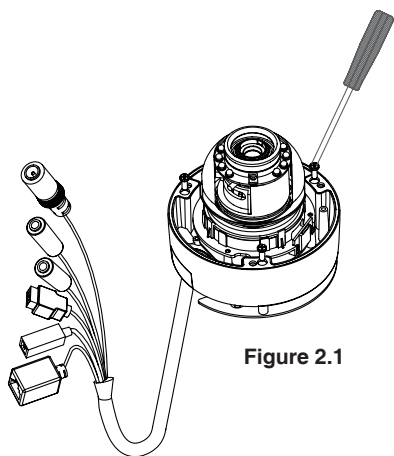


Figure 2.1

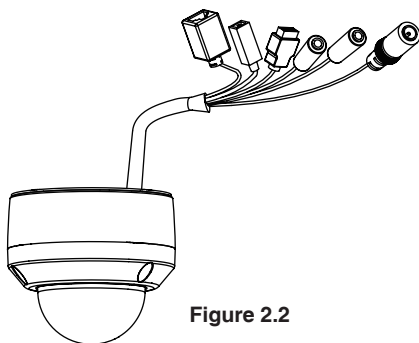
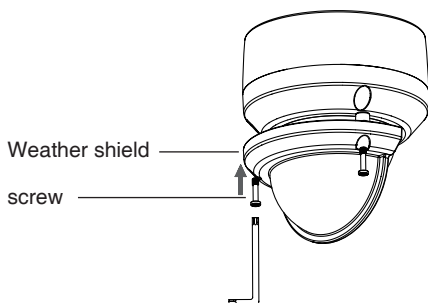


Figure 2.2

### Weather Shield



## Style 2 - Exposed Cable Installation

- Height: 25.6 mm (1.0 inches)
- Diameter: 122 mm (4.8 inches)
- Weight: 135g (0.3 lbs)

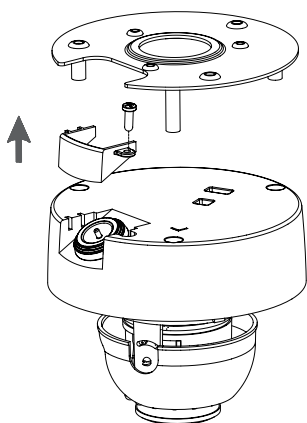


Figure 2.3

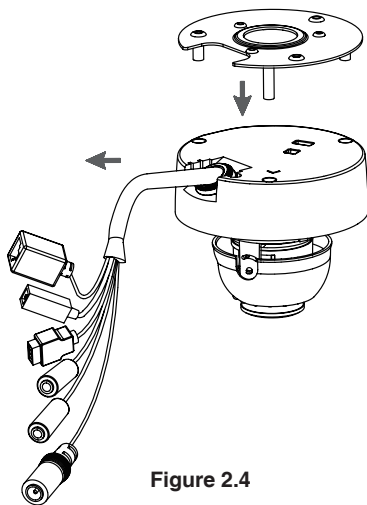


Figure 2.4

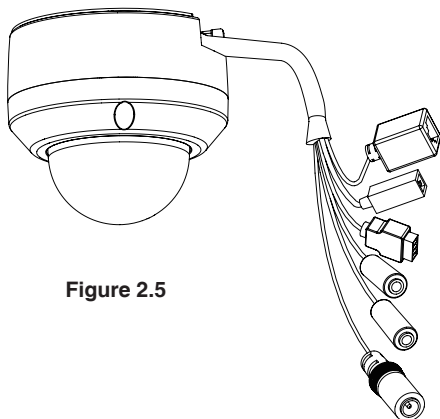
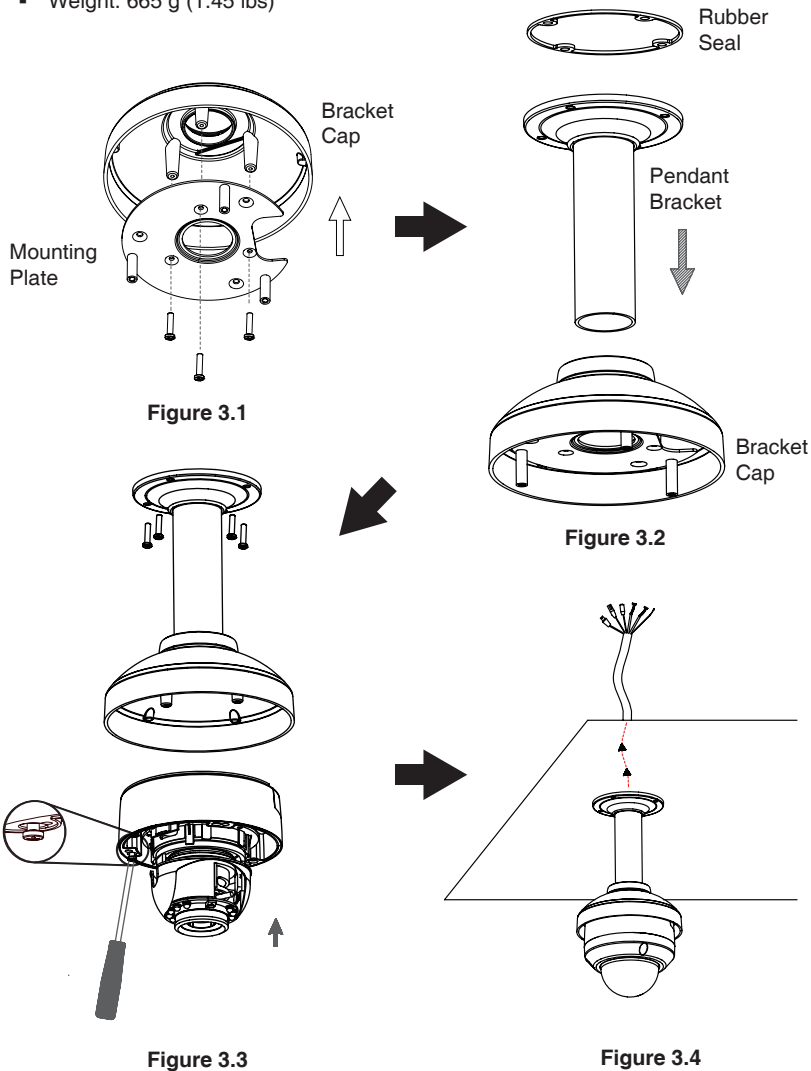


Figure 2.5

## Pendant Mount (DCS-34-2)

- Height: 201 mm (7.9 inches)
- Diameter: 150 mm (5.9 inches)
- Weight: 665 g (1.45 lbs)



## Bent Mount (DCS-34-3)

- Height: 253 mm (9.96 inches)
- Diameter: 150 mm (5.9 inches)
- Weight: 770 g (1.7 lbs)

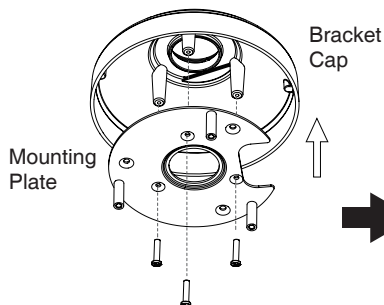


Figure 4.1

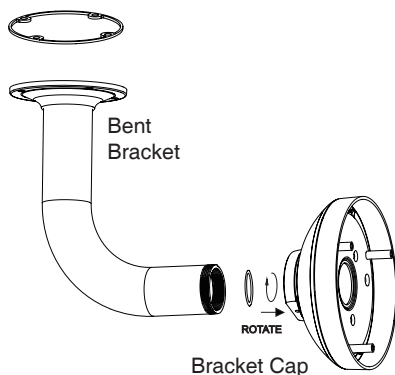


Figure 4.2

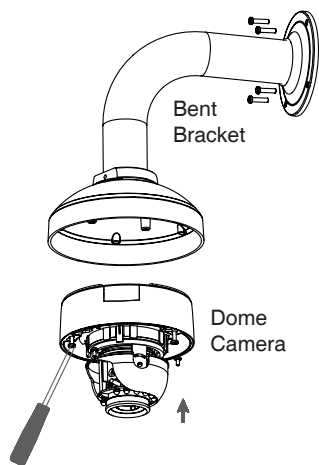


Figure 4.3

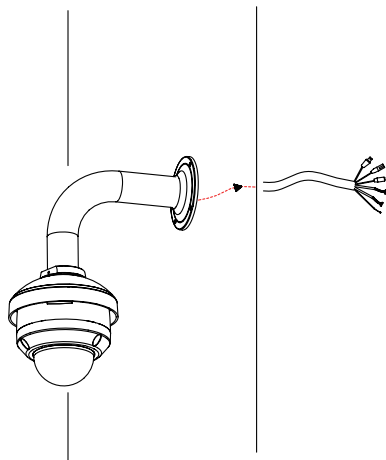
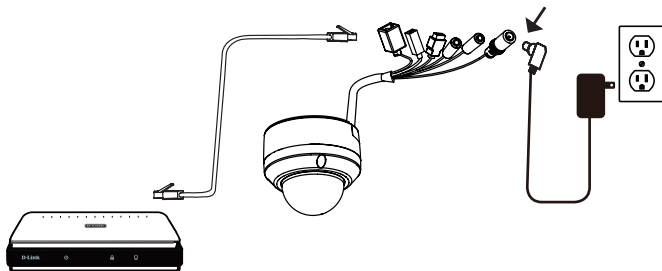


Figure 4.4

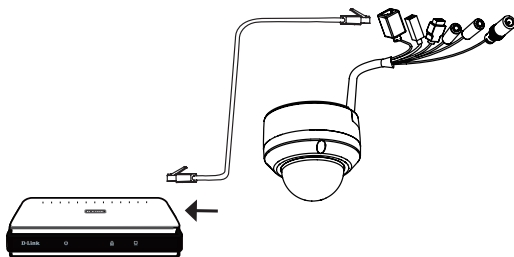
### General Connection Using 12 V DC Power Adapter

1. Connect the network camera to a hub via an Ethernet cable.
2. Connect the supplied power cable from the camera to a power outlet.



### Connection with a PoE Hub

If you are using a PoE hub, connect the IP camera to the hub via an Ethernet cable, which will provide transmission of both power and data over a single cable.





## 5. Configuration with Wizard

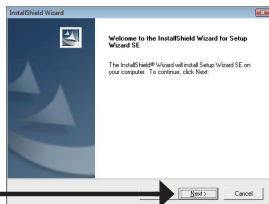
Insert the DCS-6314 CD into your computer's CD-ROM drive to begin the installation. If the Autorun function on your computer is disabled, or if the D-Link Launcher fails to start automatically, click **Start > Run**. Type **D:\autorun.exe**, where D: represents the drive letter of your CD-ROM drive.

Click **Setup Wizard** to begin the installation.

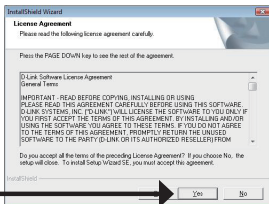


After clicking Setup Wizard, the following window will open.

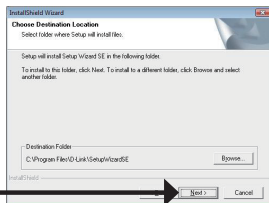
Click **Next** to continue.



Click **Yes** to accept the License Agreement.

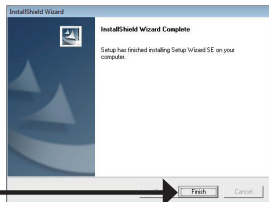


To start the installation process, click **Next**.

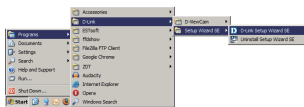


**Note:** The installation may take several minutes to finish.

Click **Finish** to complete the installation.



Click on the **D-Link Setup Wizard SE** icon that was created in your Windows Start menu.



**Start > D-Link > Setup Wizard SE**

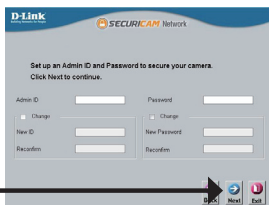
The Setup Wizard will appear and display the MAC address and IP address of your camera(s). If you have a DHCP server on your network, a valid IP Address will be displayed. If your network does not use a DHCP server, the network camera's default static IP **192.168.0.20** will be displayed.

Click the **Wizard** button to continue.



Enter the Admin ID and password. When logging in for the first time, the default Admin ID is **admin** with the password left blank.

Click **Next**, to proceed to the next page.

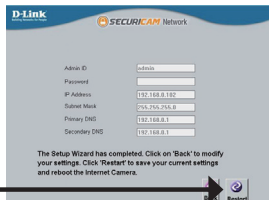


Select DHCP if your camera obtains an IP address automatically when it boots up. Select static IP if the camera will use the same IP address each time it is started.

Click **Next**, to proceed to the next page.



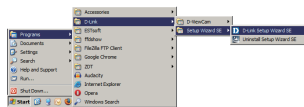
Take a moment to confirm your settings and click **Restart**.



## Viewing Camera via Web Browser

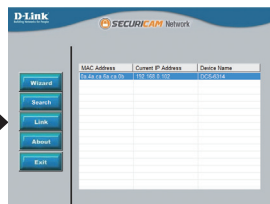
Click on the **D-Link Setup Wizard SE** icon that was created in your Windows Start menu.

Start > D-Link > Setup Wizard SE

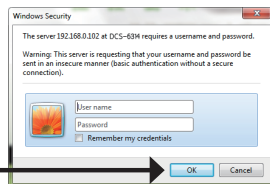


Select the camera and click the button labeled **"Link"** to access the web configuration.

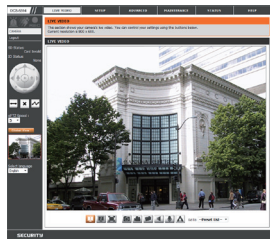
The Setup Wizard will automatically open your web browser to the IP address of the camera.



Enter **admin** as the default username and leave the password blank. Click **OK** to continue.



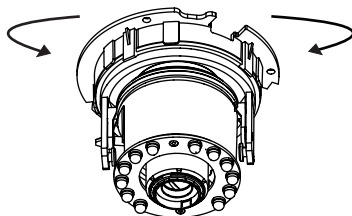
This section shows your camera's live video. You can select your video profile and view or operate the camera. For additional information about web configuration, please refer to the user manual included on the CD-ROM or the D-Link website.



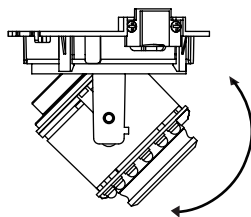
## 6. Adjusting the lens 3-axis angel

### Adjus the Viewing Angle of the 3-axis Mechanism

Turn the lens module left and right until the desired position is achieved.



Loosen the tilt screws on both sides of the camera, and turn the lens module up and down until the desired position is achieved; tighten the tilt screws once completed.



Turn the lens to adjust the IP camera's image until the desired orientation is achieved.

