

Getting Started Guide for Industrial Ethernet Switch

This document will guide you through the basic installation process for your new D-Link Industrial Ethernet Switch.

QUICK INSTALLATION GUIDE



DIS-F200G SERIES

Layer 2+ Gigabit Industrial Smart Managed
PoE Switches with Long Reach PoE Ports

Before You Begin

This Quick Installation Guide gives you step-by-step instructions for setting up the DIS-F200G Series Layer 2+ Gigabit Industrial Smart Managed PoE Switch. The model you have purchased may appear slightly different from the one shown in the illustrations. For more detailed information about the Switch, please refer to the user manual.

Package Contents

This package should include the following items:

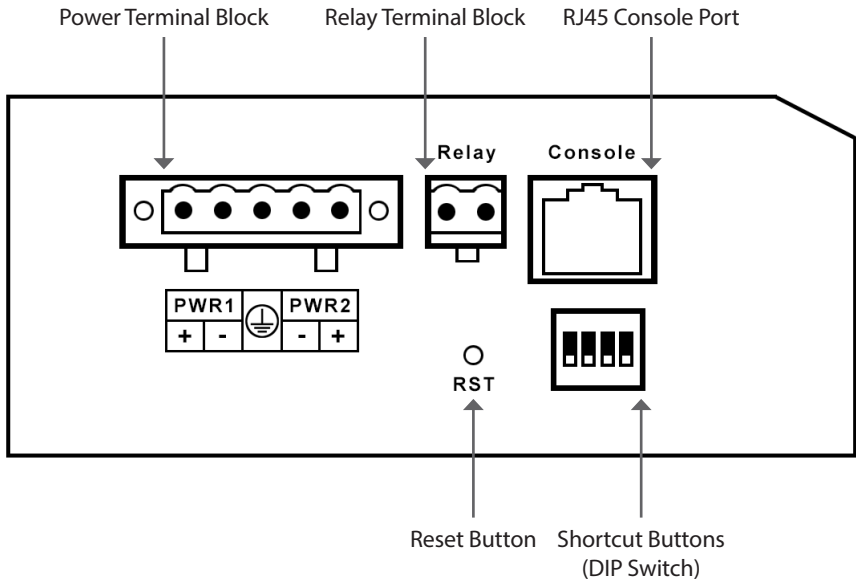
- DIS-F200G Series Switch
- Power terminal block
- Relay terminal block
- DIN rail mounts (installed)
- Quick Installation Guide

If any of the above items are damaged or missing, please contact your local D-Link Reseller.

HARDWARE OVERVIEW

LED Indicators

LED	Status	Description
P1, P2	On	The corresponding power source is connected
	Off	The corresponding power source is not connected or failed
SYS	Flashing	The system is operating correctly
	Off or On	The system is not responding
ALM	On	Alarm has been triggered
	Off	No Alarm
F1, F2	On or Flashing	SFP port connected and active
	Off	SFP port not connected



HARDWARE INSTALLATION

Before You Begin

Observe the following precautions to help prevent shutdowns, equipment failures, and personal injury:

- Install the DIS-F200G in a cool and dry place. Refer to the technical specifications in the user manual for the acceptable operating temperature and humidity ranges.
- Leave at least 10 cm of space at the top, rear and bottom of the Switch for ventilation.
- Visually inspect the power connector and make sure that it is fully secured to the power cord.
- Do not stack any devices on top of the Switch.

It is also recommended that power and grounding requirements are investigated before mounting the Switch.

Mounting the Switch on a DIN Rail

Before beginning either mounting or removing the DIS-F200G from a DIN rail, please ensure that the DIN rail is level and that the DIN rail mounting kit is installed correctly on the DIS-F200G. Use the following instructions to install the DIS-F200G on a DIN rail:

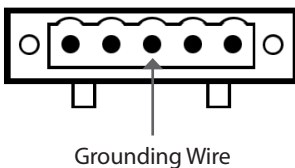
1. With the back of the DIS-F200G facing the DIN rail, lower the top part of the rail mounting kit onto the DIN rail.
2. Push the DIS-F200G vertically down and rotate the bottom of the DIS-F200G towards the DIN rail, to attach the Switch to the DIN rail.

Use the following instructions to remove the DIS-F200G from a DIN rail:

1. Push the DIS-F200G vertically down to create enough space at the bottom of the rail mounting kit to remove the DIS-F200G from the DIN rail.
2. Rotate the DIS-F200G upwards to remove the bottom of the rail mounting kit from the rail, and lift the DIS-F200G upwards to remove the whole of the Switch from the DIN rail.

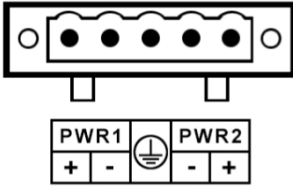
Grounding the Switch

To use the DIS-F200G safely, it needs to be grounded. Insert a grounding wire into the terminal grounding connection and use a flat head screwdriver to tighten the screw to secure the wire. Attach the other end of the grounding cable to an appropriate grounding source.



Connecting to a Power Source

The DIS-F200G can be powered using the in-built terminal connector. This allows dual power inputs, using wires from the power source(s) screwed-in to the terminal connections.



Input voltage is 48 to 56V DC

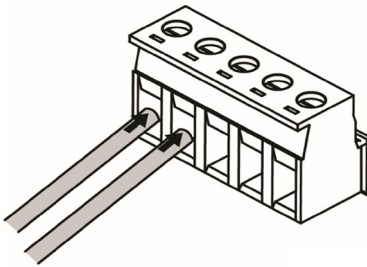
The Switch offers built-in over current protection and power supply reverse connection protection.

Using the Terminal Connections

Before proceeding, ensure that all power sources have been disconnected from the DIS-F200G, and that the power source you are wiring to the DIS-F200G is also disconnected.

Use the following instructions to power the DIS-F200G using the terminal connections:

1. Before continuing, consult the diagram above to decide which wires from the power source need to connect to which contacts on the terminal block. Note that two power sources can be used; one inserted into -/+ (labelled PWR1) and the other inserted into -/+ (labelled PWR2). If you only wish to use one power source, insert the wires into -/+ (PWR1).
2. Using a flat head screwdriver, loosen the connections in the terminal block by un-screwing the terminal connections that you wish to use.
3. Insert the wires into the terminal connections and use the screwdriver to tighten the screws to secure the wires.



4. Re-insert the terminal block into the terminal block socket on the DIS-F200G.

MANAGEMENT OPTIONS

The DIS-F200G can be managed by using the Web User Interface (Web UI), Console Port, Telnet, SSH, or Simple Network Management Protocol (SNMP).

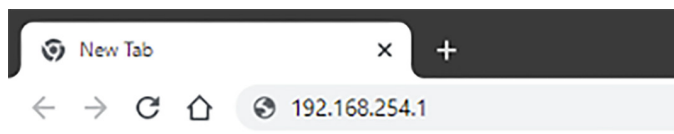
For management, each Switch must be assigned its own IP address, which is used for communication with the management PC.

Web User Interface

Once the Switch has been successfully installed, you can begin configuration and monitor Switch status using a web browser. Supported browsers include Firefox, Chrome and Safari.

You need the following equipment to access the Web UI of your device:

- A PC with an RJ-45 Ethernet connection
 - A standard Ethernet cable
1. Connect the Ethernet cable to any of the ports on the Switch's front panel and to the Ethernet port on the PC.
 2. Configure the PC's IP address to be in the same network segment as the Switch. The Switch's default IP address is 192.168.254.1, with subnet mask 255.255.255.0. For example, to connect to the Switch using the default settings, your PC should have an IP address in the range: 192.168.254.2-254 and a subnet mask of 255.255.255.0.
 3. Open a web browser and enter **http://192.168.254.1/** in the address box.



4. Log in to the switch. To do this, enter **admin** as the default user name and **admin** as default password. It is recommended to apply a secure strong password to "admin" account under System Settings > User Management.

Console

To connect to the Switch's console, use a RS-232 serial to RJ-45 cable. A terminal emulation program is required to connect to the console port on the Switch. These are widely available and can be easily downloaded from the Internet.

Using following steps to connect to Switch's console port:

1. Connect the RS-232 serial interface to the serial port of the management PC.
2. Connect the RJ-45 interface to the console port of the Switch.
3. Open a terminal emulation program on the management PC and configure the properties of the connection as follows:
 - Speed: 115200 baud
 - Data bits: 8
 - Parity: None
 - Stop bits: 1
 - Flow Control: None
4. Connect to the Switch and the Command Line Interface (CLI) should be available. When prompted to log in, enter **admin** as the default user name and password.

Shortcut Buttons (DIP Switches)

Some Switch settings can be applied using the Shortcut Buttons (DIP Switches), without the need to log into the Switch interface.

DIP Switch	Function when in ON position
AI Loop Protect	Enables detection of connection loops on the network, disables ports if detected, preventing broadcast storms.
AI PoE	Automatically restart a remote device by disabling and re-enabling PoE on the port if it detects the remote device has locked up (no incoming traffic).
AI VLAN	Isolates RJ45 ports from each other, suppress network storms and improves network performance. Uplink SFP ports continue to communicate with all ports.
AI Extend	Enables Long Reach PoE delivery up to 250m on PoE ports. Port speed changes to 10Mbps (Cat 5 or better cabling is recommended).

Device Reset

If you have any problems accessing the DIS-F200G, it can be reset using the following instructions:

Press and hold the reset button for 2 to 10 seconds. After releasing the button the SYS LED light will stop flashing and after a moment will start flashing rapidly indicating a restart. After restart the DIS-F200G will be reset to factory defaults.

Additional Information

You can refer to the user manual or visit <https://support.dlink.com.au/> for more support.

SAFETY INSTRUCTIONS

The following general safety guidelines are provided to help ensure your own personal safety and protect your product from potential damage. Remember to consult the product user instructions for more details.

- Static electricity can be harmful to electronic components. Discharge static electricity from your body (i.e. touching grounded bare metal) before touching the product.
- Do not attempt to service the product and never disassemble the product. For some products with user replaceable battery, please read and follow the instructions in the user manual.
- Do not spill food or liquid on your product and never push any objects into the openings of your product.
- Do not use this product near water, areas with high humidity or condensation unless the product is specifically rated for outdoor application.
- Keep the product away from radiators and other heat sources.
- Always unplug the product from mains power before cleaning and use a dry lint free cloth only.