



## Hardware Installation Guide

# Multi-G Ethernet Smart Managed Switch

DMS-1250 Series

Information in this document is subject to change without notice. Reproduction in any manner whatsoever, without the written permission of D-Link Corporation, is strictly forbidden.

Trademarks used in this text: D-Link and the D-LINK logo are trademarks of D-Link Corporation; Microsoft and Windows are registered trademarks of Microsoft Corporation.

Other trademarks and trade names may be used in this document to refer to either the entities claiming the marks and names or their products. D-Link Corporation disclaims any proprietary interest in trademarks and trade names other than its own.

© 2024 D-Link Corporation. All rights reserved.

### **FCC Compliance Statement**

This device complies with Part 15 of the FCC Rules. Operation is subject to the following two conditions: (1) This device may not cause harmful interference, and (2) this device must accept any interference received, including interference that may cause undesired operation.

### **CE Mark Warning**

This equipment is compliant with Class A of CISPR 32. In a residential environment, this equipment may cause radio interference.

### **VCCI Warning**

この装置は、クラス A 機器です。この装置を住宅環境で使用すると電波妨害を引き起こすことがあります。この場合には使用者が適切な対策を講ずるよう要求されることがあります。VCCI-A

### **BSMI Notic**

警告：為避免電磁干擾，本產品不應安裝或使用於住宅環境。

### **Safety Compliance**

**Warning: Class 1 Laser Product:** When using a fiber optic media expansion module, never look at the transmit laser while it is powered on. In addition, never look directly at the fiber TX port and fiber cable ends when they are powered on.

**Avertissement: Produit Laser de Classe 1:** Ne regardez jamais le laser tant qu'il est sous tension. Ne regardez jamais directement le port TX (Transmission) à fibres optiques et les embouts de câbles à fibres optiques tant qu'ils sont sous tension.

Ensure to connect the power cord to a socket-outlet with earthing connection.

Veillez à brancher le cordon d'alimentation sur une prise de courant avec mise à la terre.

# Table of Contents

Typographical Conventions .....	iv
Notes and Cautions .....	iv
Switch Description .....	1
Package Contents .....	1
Features.....	1
Front Panel Components.....	2
Ports .....	3
Reset Button.....	3
LED Indicators .....	4
Port Functions.....	5
Rear Panel Components .....	7
Side Panel Components .....	8
Smart Fans .....	9
Installation Guidelines.....	10
Installing the Switch without a Rack .....	10
Installing the Switch in a Standard 19" Rack.....	11
Installing Transceivers into the Transceiver Ports.....	11
Power On (AC Power) .....	12
Power Failure (AC Power).....	12
Installing Power Cord Retainer.....	13
Mounting the Switch on a Wall .....	16
Switch to an End Node .....	17
Switch to Another Switch .....	17
Switch to a Server.....	18
Management Options .....	19
Connecting to the Console Port.....	19
Connecting to the Switch for the First Time .....	20
Creating a User Account .....	21
Configuring the IP Address.....	21
Connecting using SNMP.....	22
Traps.....	22
Management Information Base (MIB) .....	23
Introduction .....	24
Logging into the Web UI .....	24
Web User Interface (Web UI) .....	26
Areas of the Web UI .....	26
Web Pages .....	27
Appendix A - Technical Specifications .....	28
General .....	28
Physical and Environmental .....	28
Performance .....	29
Safety Instructions .....	30
Safety Cautions .....	30
Consignes de sécurité .....	31
Précautions de sécurité.....	31
General Precautions for Rack-Mountable Products .....	33
Protecting Against Electrostatic Discharge.....	34
Additional Info .....	35

## Intended Readers

The DMS-1250 Series Multi-G Ethernet Smart Managed Switch Hardware Installation Guide contains detailed information about the hardware specifications of the switches in this series. It also contains brief information on how to configure and manage a switch in this series. This manual is intended for advanced level users that are familiar with network management concepts and terminology. For all practical reasons, all the switches in this series will simply be referred to as the Switch throughout this manual.

## Typographical Conventions

Convention	Description
<b>Boldface Font</b>	This convention is used to place emphasis on keywords. It also indicates a button, toolbar icon, menu, menu item, system message, or a prompt appearing on the screen. For example, click the <b>Apply</b> button.
Initial capital letter	This convention is used to indicate a window name or keyboard key. For example, press the Enter key.
Blue Courier Font	This convention is used to represent a Command Line Interface (CLI) example.

## Notes and Cautions



**NOTE:** A note indicates important information that helps you make better use of your device.



**CAUTION:** A caution indicates a potential for property damage, personal injury, or death.

# 1. Introduction

*Switch Description*

*Package Contents*

*Features*

*Front Panel Components*

*Rear Panel Components*

*Side Panel Components*

## Switch Description

The DMS-1250 Series is D-Link's next generation Smart Managed Switch. The Switch has a combination of 2.5GBASE-T and SFP+ ports that may be used to connect various networking devices to the Switch. The SFP+ ports are used with fiber-optical transceiver cabling in order to uplink various other networking devices for a 1Gbps or 10 Gbps link that may span great distances.

The D-Link DMS-1250 Series includes the following switches:

- **DMS-1250-10S:** Eight 2.5GE Smart Managed switch with 2 SFP+ ports.
- **DMS-1250-10SP:** Eight 2.5GE POE Smart Managed switch with 2 SFP+ ports.
- **DMS-1250-10SPL:** Eight 2.5GE POE Smart Managed switch with 2 SFP+ ports.
- **DMS-1250-12TP:** Eight 2.5GE POE Smart Managed switch with 2 SFP+ ports and 2 10GE ports.

## Package Contents

Open the shipping carton of the Switch and carefully unpack its contents. The box should contain the following items:

- One DMS-1250 Series switch.
- One Safety Notice.
- One AC power cord or power adaptor.
- One rack mounting kit (two brackets and screws).
- Four rubber feet with adhesive backing.
- One power cord retainer set (if with AC inlet power port).
- One RJ45 console cable
- Additional documents based on local regulation requirement (optional).

If any item is missing or damaged, please contact your local D-Link reseller for replacement.

## Features

The list of features below highlights the significant features of the Switch.

- Supports a 16K MAC address table.
- Supports Flow Control (802.3x) in full-duplex compliant.
- Supports Jumbo Frames of up to 12KB.
- Supports Spanning Tree with 802.1D 2004 STP/RSTP and 802.1Q 2005 MSTP.
- Supports Loopback Detection (LBD).
- Supports Link Aggregation (802.3ad and 802.3AX) with a maximum of 8 groups per Switch.
- Supports Port Mirroring.
- Supports Layer 2 Multicast Filtering.
- Supports IGMP Snooping (v1, v2, v3 awareness) with up to 256 snooping groups and 128 static multicast addresses. MLD Snooping (v1, v2 awareness) with up to 256 snooping groups and 64 static multicast addresses. IGMP Snooping and MLD Snooping share 128 static groups and 256 snooping groups.
- Supports Virtual LAN (802.1Q) with up to 4K VLAN groups.
- Supports Port-based VLAN.
- Supports Asymmetric VLAN.

- Supports Auto Voice and Surveillance VLAN.
- Supports IPv4/IPv6 interfaces.
- Supports Static Routing.
- Supports Quality of Service (QoS) with Queue Handling and Class of Service (CoS).
- Supports Access Control List (ACL).
- Supports Secure Shell (SSHv2) with IPv4/IPv6 access.
- Support Transport Layer Security (TLS) versions 1.3.
- Supports Port Security of up to 64 MAC addresses per port.
- Supports Broadcast and Multicast Storm Control.
- Supports Traffic Segmentation.
- Supports D-Link SafeGuard Engine.
- Supports ARP Spoofing Prevention.
- Supports IP-MAC-Port Binding (IMPB).
- Supports DoS Attack Prevention.
- Supports Guest VLAN.
- Supports Link Layer Discovery Protocol (LLDP) with LLDP-MED.
- Supports Accessibility using multiple interfaces like the Command Line Interface (CLI), Web-based Graphical User Interface (Web-based GUI), and more.
- Supports Telnet Server.
- Supports Trivial File Transfer Protocol (TFTP) Client.
- Supports Simple Network Management Protocol (SNMP) version 1, 2c, and 3.
- Supports DHCP Client.
- Support Dual Images and Configurations.
- Supports Simple Network Time Protocol (SNTP).
- Support Power Saving using the Link Status Mode.
- Support Time-based Power-over-Ethernet (PoE).
- Supports IEEE 802.3az compliance.
- Supports D-Link Discovery Protocol (DDP).
- Supports MIBs.

Note: The features are subject to change based on implementation plan without prior notice.

## Front Panel Components

The front panel of the Switch features a variety of LED indicators, ports, a Reset button, and a Mode button (only of PoE supported switches).

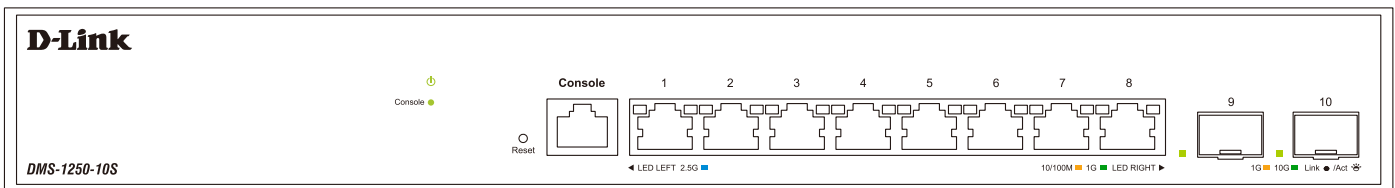


Figure 1-1 DMS-1250-10S

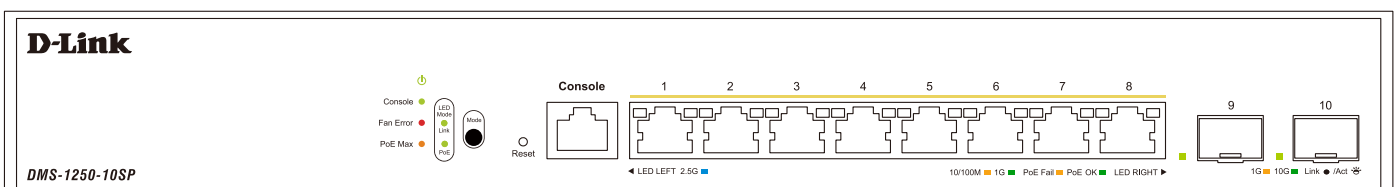


Figure 1-2 DMS-1250-10SP

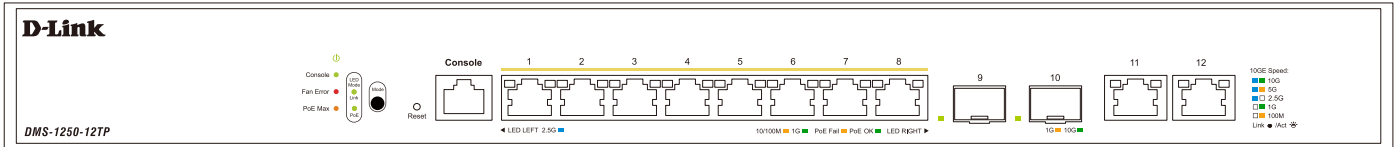


Figure 1-3. DMS-1250-12TP

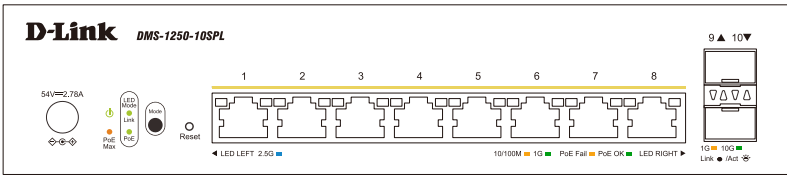


Figure 1-4 DMS-1250-10SPL

## Ports

Ports that can be found on the front panel of this switch are listed in the table below.

Port	Description
<b>Console</b>	The RJ45 console port can be used to connect to the command line interface (CLI) of the switch for configuration, management and monitoring (for DMS-1250-10S/DMS-1250-10SP/DMS-1250-10SP/DMS-1250-12TP).
<b>100/1000/2.5GBASE-T RJ45 Ports</b>	The DMS-1250 series Switches are equipped with 2.5GE RJ45 Ethernet ports. These ports can operate at 100Mbps, 1Gbps and 2.5Gbps wire-speeds.
<b>100/1000/2.5GBASE-T RJ45 PoE Ports</b>	DMS-1250-10SP, DMS-1250-12TP and DMS-1250-10SPL Switches are equipped with 8 RJ45 PoE Ethernet ports. These ports can operate at 100 Mbps, 1 Gbps and 2.5 Gbps wire-speeds and support PoE function.
<b>10 Gigabit SFP+ Ports</b>	The Switch is equipped with SFP+ ports. These ports can operate at 1 Gbps and 10 Gbps wire-speeds and support a wide collection of SFP/SFP+ transceivers.
<b>100/1000/2.5G/5G/10GBASE-T RJ45 Ports</b>	The DMS-1250-12TP Switch supports 2 RJ45 10 Gbps Ethernet ports. These ports can operate at 100, 1000, 2500, 5000 and 10000 Mbps wire speeds.



**CAUTION:** This equipment is to be connected only to PoE networks without routing to the outside plant.

**ATTENTION :** Cet équipement ne doit être connecté qu'à des réseaux PoE sans routage vers l'extérieur.

For a complete list of SFP/SFP+ transceivers that are compatible with this switch, refer to the **SFP+ Ports** section in **Port Functions**.

## Reset Button

On the front panel of the Switch is a **Reset** button. The Switch will reboot or reset to factory default settings depending on how long this button is pressed.

- Press and hold the **Reset** button for less than 5 seconds (release before 5 seconds) to reboot the Switch. All unsaved configurations will be lost.
- Press and hold the **Reset** button for more than 5 seconds (release between 6 and 10 seconds or above) to reset the software configuration of the Switch to the factory default settings. All the port LEDs will light up (solid amber) for 2 seconds to indicate the start of the factory reset procedure.

## LED Indicators

Located on the front panel of this switch are LED indicators: Power, Console, Fan Error, and Link/Act indicators for all the ports.

Location	LED indicator	Color	Status	Description
Per Device	<b>Power</b>	Green	Solid Light	Device Power On
			Light off	Device Power Off
	<b>Console</b> <i>DMS-1250-10S</i> <i>DMS-1250-10SP</i> <i>DMS-1250-12TP</i>	Green	Solid light	RJ-45 Console on
			Light off	Console off
	<b>Fan Error</b> <i>DMS-1250-10SP</i> <i>DMS-1250-12TP</i>	Red	Solid light	The fan has run time failure and is brought offline
	<b>PoE Max.</b> <i>DMS-1250-10SP</i> <i>DMS-1250-12TP</i> <i>DMS-1250-10SPL</i>	Amber	Solid light	Total power output exceeds Guard Band threshold. The PD will be denied based on port priority or other PoE rules.
			Blinking	When the total power output becomes sufficient and allows to connect more PDs (more than 7 Watts), PoE MAX LED will blink 5 seconds.
			Light off	The PoE power is sufficient and below the guard band threshold.
	<b>LED Mode</b> <i>DMS-1250-10SP</i> <i>DMS-1250-12TP</i> <i>DMS-1250-10SPL</i>	Green	Solid light	A LED Mode push button is allowed to select the port Link/ACT status or PoE status. <ul style="list-style-type: none"> <li>• Link/Act/Speed Mode</li> <li>• PoE Mode</li> </ul>
	LED Per 2.5GBASE-T Multi-gig Port	Link/Act/Speed	Blue	Solid light
Blinking				When there is reception or transmission occurring at the port.
Green			Solid light	When there is a secure 1000Mbps connection at the port.
			Blinking	When there is reception or transmission occurring at the port.
Amber			Solid light	When there is a secure 10/100Mbps connection at the port.
			Blinking	When there is reception or transmission occurring at the port.
Off			Light off	No link
LED Per 10GBASE-T Multi-gig Port			Link/Act/Speed <i>DMS-1250-12TP</i>	Blue and Green
	Blinking	When there is reception or transmission occurring at the port.		
	Blue and Amber	Solid light		When there is a secure 5Gbps connection at the port.
		Blinking		When there is reception or transmission occurring at the port.



Location	LED indicator	Color	Status	Description
		Blue	Solid Light	When there is a secure 2.5Gbps connection at the port.
			Blinking	When there is reception or transmission occurring at the port.
		Green	Solid light	When there is a secure 1000Mbps connection at the port.
			Blinking	When there is reception or transmission occurring at the port.
		Amber	Solid light	When there is a secure 10/100Mbps connection at the port.
			Blinking	When there is reception or transmission occurring at the port.
		Off	Light off	No link
LED Per SFP+ Port	Link/Act/Speed	Green	Solid light	When there is a secure 10Gbps connection at the port.
			Blinking	When there is reception or transmission occurring at the port.
		Amber	Solid light	When there is a secure 1000Mbps connection at the port.
			Blinking	When there is reception or transmission occurring at the port.
		Off	Light off	No link
LED Per PoE Port	PoE Status	Green	Solid light	Power devices insert and the PSE supplies the port power successfully.
		Amber	Solid light	Power devices insert but failure occurs. (PSE can't provide power to PD due to PD error, over current or power budget shortage.)
				PoE Port is not activated, or no PD connected.
Off	Light off			

## Port Functions

Feature	Description
Console Port	RJ45 interface for Out-Of-Band (OOB) CLI configuration
RJ45 Ports	Compliant with the following standards: <ul style="list-style-type: none"> <li>• IEEE 802.3 compliance</li> <li>• IEEE 802.3u compliance</li> <li>• IEEE 802.3ab compliance</li> <li>• IEEE 802.3az compliance</li> <li>• IEEE 802.3bz compliance</li> <li>• IEEE 802.3an compliance</li> </ul>
	Support Half-Duplex and Full-Duplex <ul style="list-style-type: none"> <li>• IEEE 802.3x Flow Control support for Full-Duplex mode</li> <li>• Back Pressure for Half-Duplex mode</li> <li>• Head-of-line blocking prevention</li> <li>• Manual/auto MDI/MDIX configuration</li> <li>• Auto-Negotiation for each port</li> </ul>

Feature	Description		
<b>SFP/SFP+ Ports</b>	Compliant with the following standards: <ul style="list-style-type: none"> <li>IEEE 802.3ae compliance</li> <li>IEEE 802.3z compliance</li> </ul>		
	SFP Transceivers Supported: <ul style="list-style-type: none"> <li>DEM-310GT (1000BASE-LX, single-mode, 10 km, with DDM)</li> <li>DEM-311GT (1000BASE-SX, multi-mode, 550 m)</li> <li>DEM-312GT2 (1000BASE-SX, multi-mode, 2 km)</li> <li>DEM-314GT (1000BASE-LHX, single-mode, 50 km)</li> <li>DEM-315GT (1000BASE-ZX, single-mode, 80 km)</li> <li>DGS-712 (1000BASE-T)</li> </ul>		
	WDM (BiDi) SFP Transceivers Supported: <ul style="list-style-type: none"> <li>DEM-330T (1000BASE-BX-D, single-mode, 10 km, TX: 1550 nm / RX: 1310 nm)</li> <li>DEM-330R (1000BASE-BX-U, single-mode, 10 km, TX: 1310 nm / RX: 1550 nm)</li> <li>DEM-331T (1000BASE-BX-D, single-mode, 40 km, TX: 1550 nm / RX: 1310 nm)</li> <li>DEM-331R (1000BASE-BX-U, single-mode, 40 km, TX: 1310 nm / RX: 1550 nm)</li> </ul>		
	SFP+ Transceivers Supported: <ul style="list-style-type: none"> <li>DEM-431XT (10GBASE-SR, multi-mode, 80 km, without DDM)</li> <li>DEM-432XT (10GBASE-LR, single-mode, 10 km, without DDM)</li> <li>DEM-433XT (10GBASE-ER, single-mode, 40 km, without DDM)</li> <li>DEM-434XT (10GBASE-ZR, single-mode, 80 km, without DDM)</li> <li>DEM-435XT (10GBASE-LRM Multi-Mode, 200M SFP+ Transceiver)</li> <li>DEM-410T (10GBASE-T Copper SFP+ transceiver, 30M)</li> </ul>		
	WDM (BiDi) SFP+ Transceivers Supported: <ul style="list-style-type: none"> <li>DEM-436XT-BXD (10GBASE-LR, single-mode, 20 km, TX: 1330 nm / RX: 1270 nm, without DDM)</li> <li>DEM-436XT-BXU (10GBASE-LR, single-mode, 20 km, TX: 1270 nm / RX: 1310 nm, without DDM)</li> </ul>		
	SFP+ Direct Attached Cables (DAC) Supported: <ul style="list-style-type: none"> <li>DEM-CB100S (10G SFP+, 1 m)</li> <li>DEM-CB300S (10G SFP+, 3m)</li> </ul>		
<b>PoE Ports</b> <i>DMS-1250-10SP</i> <i>DMS-1250-12TP</i> <i>DMS-1250-10SPL</i>	Supports the following: <ul style="list-style-type: none"> <li>IEEE802.3af/at PoE+ compliance (for DMS-1250-10SP/DMS-1250-12TP)</li> <li>IEEE802.3af/at/bt PoE++ compliance (for DMS-1250-10SPL)</li> <li>The auto-discovery feature automatically recognizes the connection of the PD device and provides power</li> <li>Automatically disable ports if the port current is over 400~450mA while other ports will remain active</li> <li>Active circuit protection automatically disables the port if there is a short while other ports remain active</li> <li>For 802.3af/at/bt capable devices will provide the power for the following classifications below:</li> </ul>		
	<b>Class</b>	<b>Usage</b>	<b>Max Power used by PD</b>
	0	Default	0.44 Watt to 12.95 Watt
	1	Optional	0.44 Watt to 3.84 Watt
	2	Optional	3.84 Watt to 6.49 Watt
	3	Optional	6.49 Watt to 12.95 Watt
4	Optional (802.3at Only)	12.95 Watt to 25.5 Watt	

Feature	Description		
	5	Type 3 (802.3bt)	Max Power used by PD: 51 Watt
	<ul style="list-style-type: none"> <li>The total PoE power budget of DMS-1250-10SP/12TP : 240 W.</li> <li>The total PoE budget of DMS-1250-10SPL: 120 W.</li> </ul>		

## Rear Panel Components

The rear panel of this switch features a security lock, a GND, an AC power connector, and a power cord retainer hole.

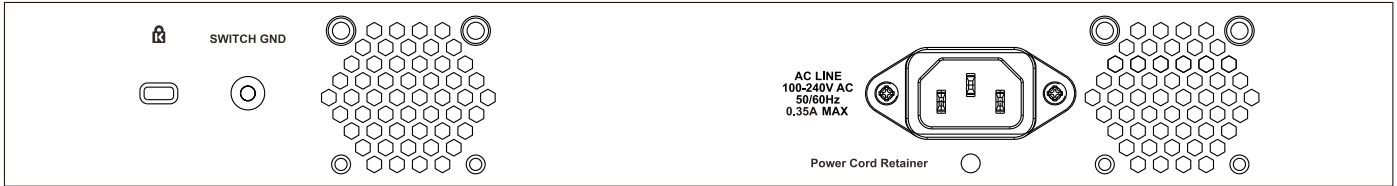


Figure 1-5 DMS-1250-10S

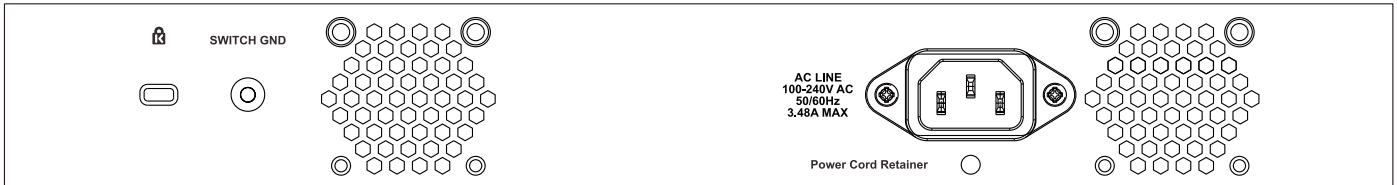


Figure 1-6 DMS-1250-10SP



Figure 1-7 DMS-1250-12TP



Figure 1-8 DMS-1250-10SPL

Components that can be found on the rear panel of this switch are listed in the table below.

Component	Description
<b>Security Lock</b>	Provide a Kensington-compatible security lock to be able to connect to a secure immovable device. Insert the lock into the notch and turn the key to secure the lock. The lock-and-cable apparatus should be purchased separately.
<b>Switch GND</b>	Use an electrical grounding wire and connect one end of the wire to the Switch GND and the other end of the wire to an electrical grounding point most commonly found on the Switch mounting rack itself.
<b>AC or DC power connector</b>	Use with AC power cord or external power adapter to supply power to the switch.
<b>Power Cord Retainer</b>	The power cord retainer is used to fix the AC power cord in place and not easily loose. For DMS-1250-10S/DMS-1250-10SP/DMS-1250-12TP)

Note: DMS-1250-10SPL DC power connector is in front panel.

## Side Panel Components

The side panels of this switch contain heat vents, fans, and rack-mounting screw holes. The heat vents are used to dissipate internal heat and facilitate internal air circulation. Do not block these openings. Leave at least 4 inches of space at the sides of the Switch for proper ventilation. Without proper heat dissipation and air circulation, system components might overheat which could lead to system failure or even severely damaged components.

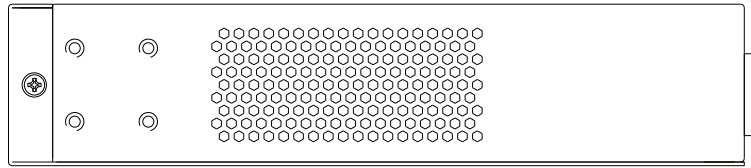


Figure 1-9 DMS-1250-10S

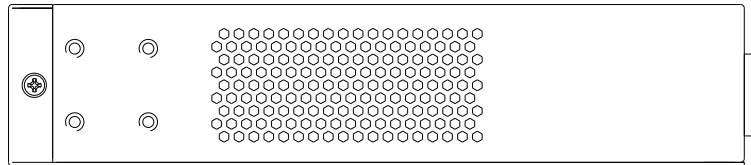
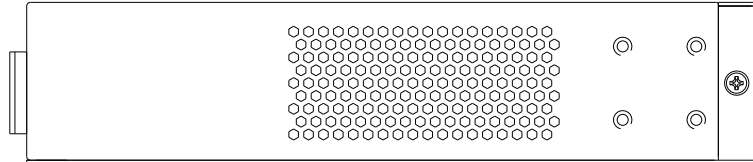


Figure 1-1 DMS-1250-10SP

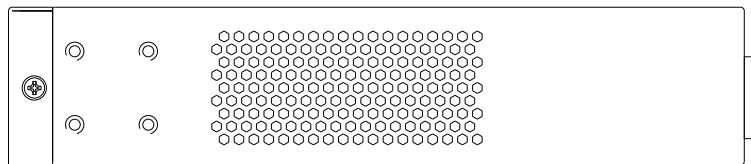
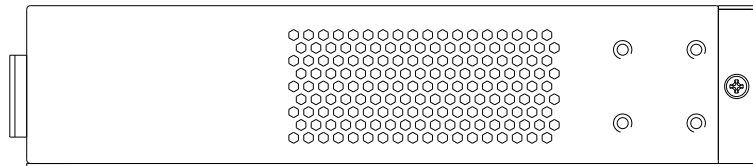


Figure 1-2 DMS-1250-12TP

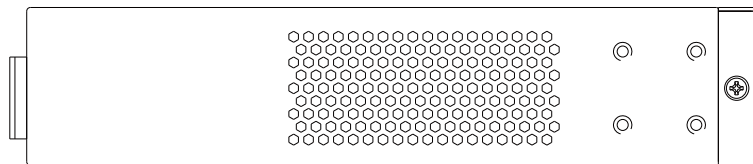


Figure 1-3 DMS-1250-10SPL

## Smart Fans

The DMS-1250 Series Switches includes **smart fans** that will automatically change their speed depending on the internal temperature detected by the sensors built-in the Switch's hardware.

The following will explain at what temperature the speed of the fan(s) will change:

- **DMS-1250-10S:** Fanless
- **DMS-1250-10SP/DMS-1250-12TP:** 5-speed Smart FAN setting as below:
  - T1 -- 10°C, FAN Duty 30%
  - T2 -- 25°C, FAN Duty 40%
  - T3 -- 40°C, FAN Duty 60%
  - T4 -- 50°C, FAN Duty 70%
  - T5 -- 55°C, FAN Duty 100%
- **DMS-1250-10SPL:** Fanless

DMS-1250 also can configure the operation state of internal fans through Web UI or command line interface (CLI).

The switch fans can be manually set to Fan Off mode or Quiet mode if the ambient temperature or PoE load do not exceed the critical level. Please refer to User/CLI manual for more details.

## 2. Installation

### Installation Guidelines

#### Installing the Switch without a Rack

#### Installing the Switch in a Standard 19" Rack

#### Installing Transceivers into the Transceiver Ports

#### Power On (AC Power)

## Installation Guidelines

This section will discuss the hardware installation guidelines that the user must follow in order to properly and safely install this switch into the appropriate environment.

- Visually inspect the power cord or power adapter is securely attached to the power connector on the Switch, and the electrical outlet that supplies power.
- Install the Switch in a fairly cool and dry place within the acceptable operating temperature and humidity ranges. For more information about the acceptable operating temperature and humidity ranges, refer to the Physical and Environmental section.
- Install the Switch in a site free from strong electromagnetic field generators such as motors, vibration, dust, and direct exposure to sunlight.

## Installing the Switch without a Rack

This section is used to guide the user through installing the Switch in an area other than a switch rack. Attach the included rubber feet to the bottom of the Switch. Take note that there should be marked blocks on the bottom of the Switch to indicate where to attach the rubber feet. These markings are usually found in each corner on the bottom of the device. The rubber feet cushion the Switch, protecting the casing from scratches and preventing it from scratching other surfaces.

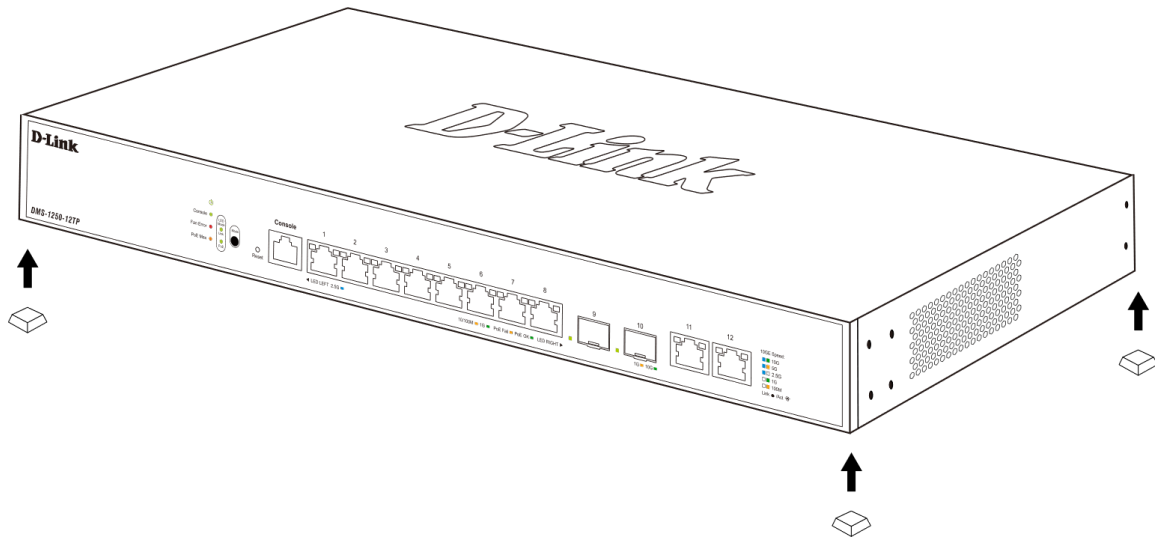


Figure 2-1 Attaching rubber feet to the Switch

Install the Switch on a sturdy, level surface that can support the weight of the Switch (see the **Weight** section in **Appendix A - Technical Specifications**). Do not place any heavy objects on the Switch. The power outlet should be within 1.82 meters (6 feet) of the Switch. Make sure that there is proper heat dissipation from and adequate ventilation around the Switch. Leave at least 10 cm (4 inches) of space at the front, sides, and rear of the Switch for ventilation.

## Installing the Switch in a Standard 19" Rack

This section is used to guide the user through installing the Switch into a switch rack. The Switch can be mounted in a standard 19"(1U) rack using the provided mounting brackets.

Fasten the mounting brackets to the sides of the Switch using the screws provided.

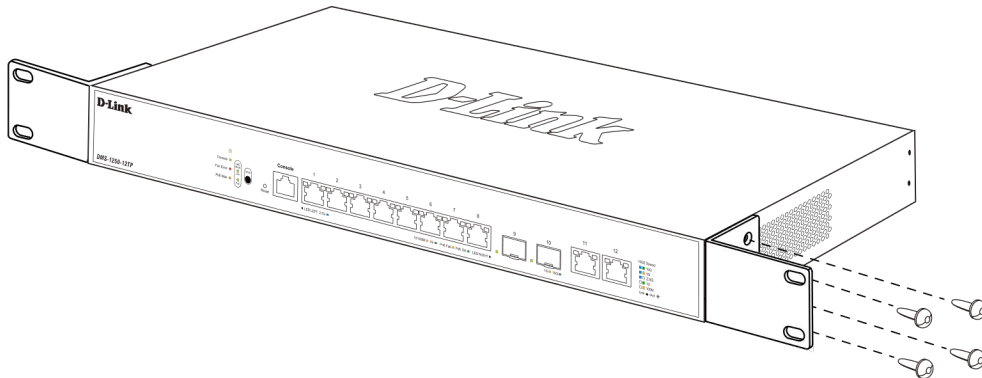


Figure 2-2 Attaching rack-mount brackets to the Switch

Fasten the mounting brackets in any available open space in the rack using the screws provided.

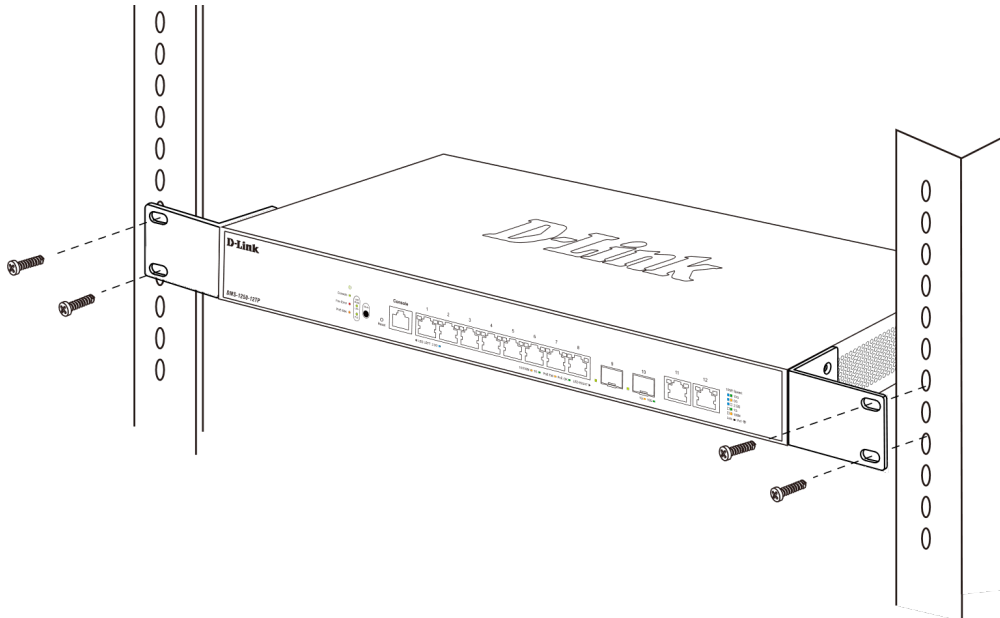


Figure 2-3 Installing the Switch in a Rack

Make sure that there is adequate space around the Switch to allow for proper airflow, ventilation, and cooling.

## Installing Transceivers into the Transceiver Ports

The Switch is equipped with Small Form-factor Pluggable (SFP) and Enhanced Small Form-factor Pluggable (SFP+) ports that can be used to connect various other networking devices to this switch that do not support the standard RJ45 wiring connection. These ports are generally used to connect this switch to optical fiber connections and can be used to connect devices to the Switch over great distances. The maximum distance that the RJ45 wiring connection can reach is 100 meters. Fiber optic connections can span several kilometers.

The figure below illustrates how to properly insert SFP/SFP+ transceivers into the Switch's SFP/SFP+ ports.

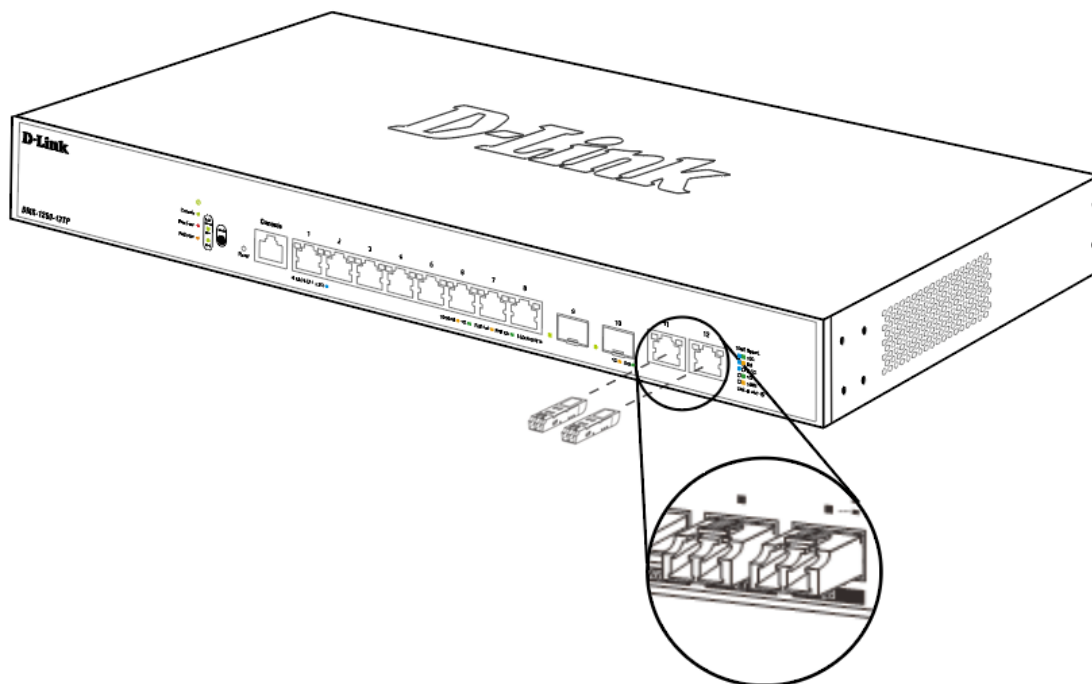


Figure 2-4 Inserting transceivers into the transceiver ports

The SFP/SFP+ ports also support other transceiver form factors like **SFP** and **SFP+** transceivers. A complete list of SFP/SFP+ transceivers, compatible with this switch, can be found in the **SFP+/SFP Ports** section in **Appendix A - Technical Specifications** at the end of this document.

**NOTE:** Only use pluggable optical modules and Direct-Attach Cables (DAC) that meet the following regulatory requirements:

- Class 1 Laser Product
- UL and/or CSA registered component for North America
- FCC 21 CFR Chapter 1, Sub-chapter J in accordance with FDA & CDRH requirements
- IEC/EN 60825-1/-2: 2007 2nd edition or later, European Standard

**REMARQUE :** N'utilisez que des modules optiques enfichables et des câbles à connexion directe (DAC) qui répondent aux exigences réglementaires suivantes :

- Produit laser de classe 1
- Composant enregistré UL et/ou CSA pour l'Amérique du Nord
- FCC 21 CFR Chapitre 1, Sous-chapitre J conformément aux exigences de la FDA et du CDRH
- CEI/EN 60825-1/-2: 2007 2nd édition ou ultérieure, norme européenne

## Power On (AC Power)

Plug one end of the AC power cord into the power socket of the Switch and the other end into the local power source outlet. After the system is powered on, the LED will blink green to indicate that the system is booting up.

## Power Failure (AC Power)

In the event of a power failure, just as a precaution, unplug the power cord from the Switch. After the power returns, plug the power cord back into the power socket of the Switch.



## Installing Power Cord Retainer

To prevent accidental removal of the AC power cord, it is recommended to install the power cord retainer together with the power cord.

With the rough side facing down, insert the tie wrap into the hole below the power socket.

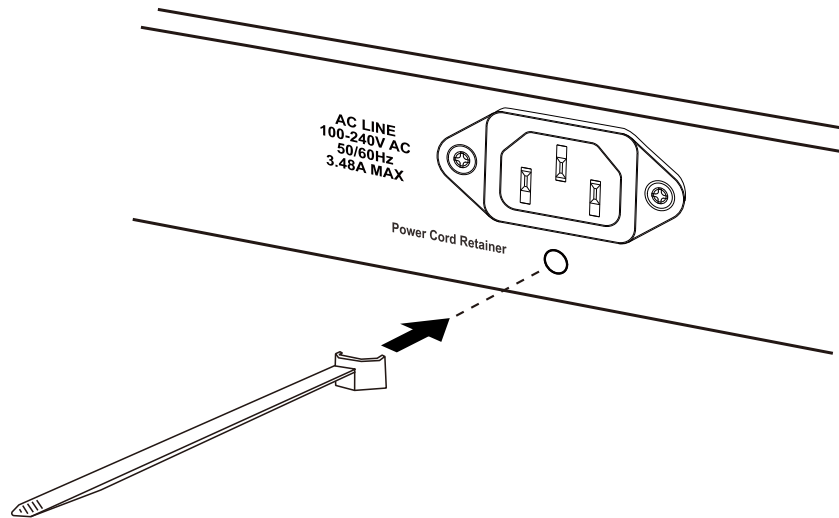


Figure 2-5 Insert Tie Wrap into the Switch

Plug the AC power cord into the power socket of the Switch.

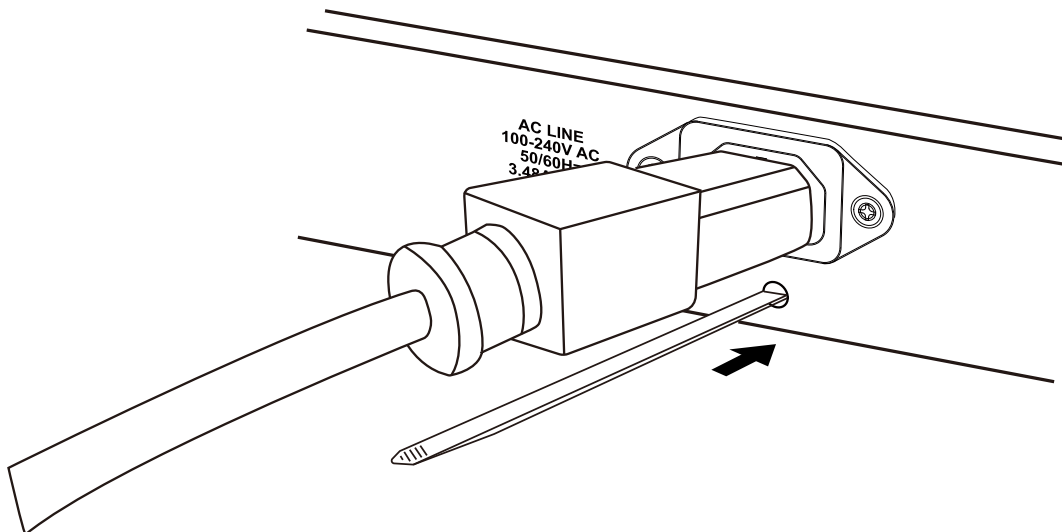


Figure 2-6 Connect the power cord to the Switch

Slide the retainer through the tie wrap until the end of the cord.

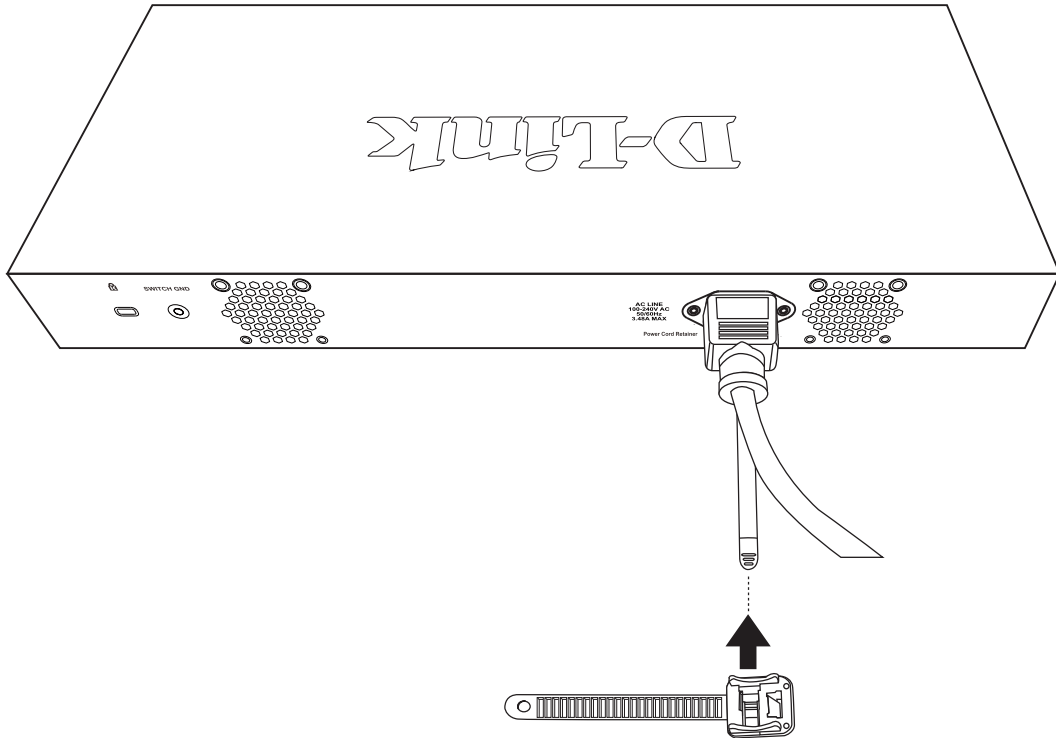


Figure 2-7 Slide the Retainer through the Tie Wrap

Circle the tie of the retainer around the power cord and into the locker of the retainer.

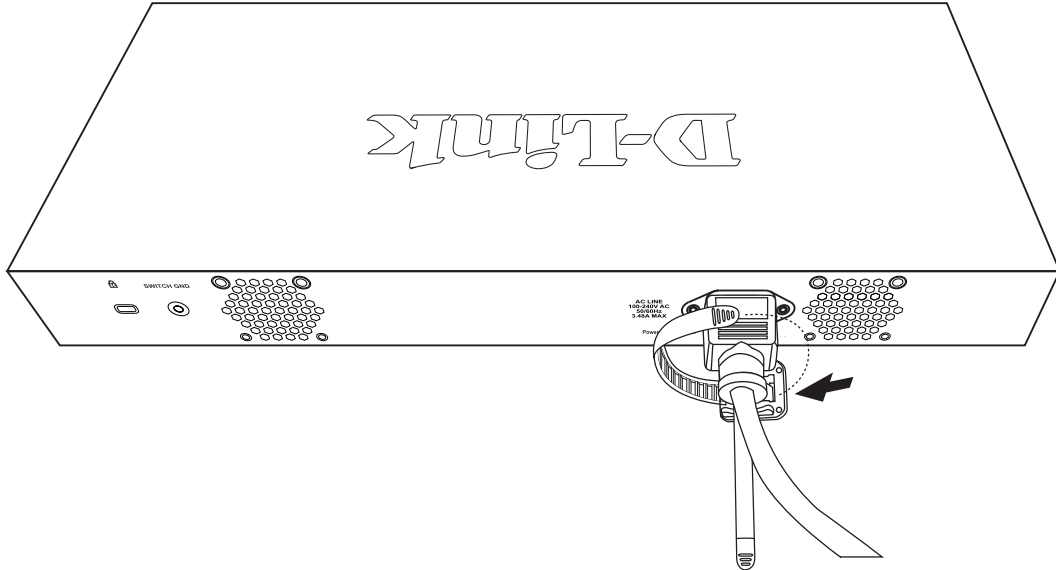
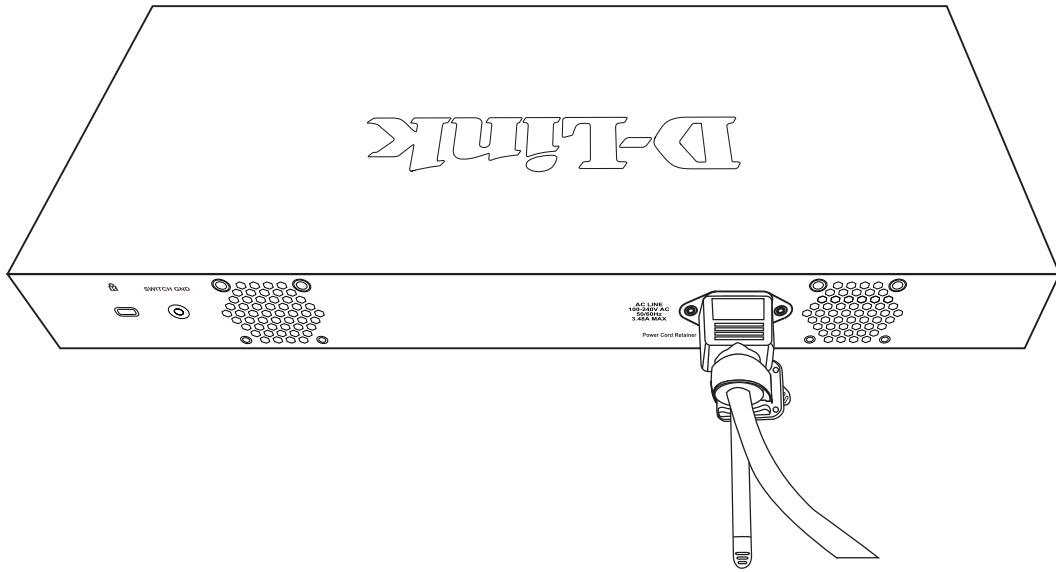


Figure 2-8 Circle around the power cord

Fasten the tie of the retainer until the power cord is secured.



**Figure 2-9 Secure the power cord**

\*All the product pictures shown are for illustration purposes only. Actual product appearance may differ from that depicted on the packaging/documentation.

## Mounting the Switch on a Wall

The Switch can be mounted on a wall. Two mounting slots are provided on the bottom of the switch for this purpose. Please refer to the instructions below on how to complete the wall-mounting process.

- Mounting on a cement wall

Step 1: Drill two holes that align with the keyholes on the back of the Switch in the wall where you want to mount the device, and place the two included nylon screw anchors into the drilled holes.

Step 2: Drive the included screws into the nylon screw anchors.

Step 3: Hook the mounting keyholes on the back of the Switch onto the screws to secure the device to the wall.

- Mounting on a wood wall

Step 1: Drive the included screws into a wood wall.

Step 2. Hook the mounting keyholes on the back of the Switch onto the screws to secure the device to the wall.

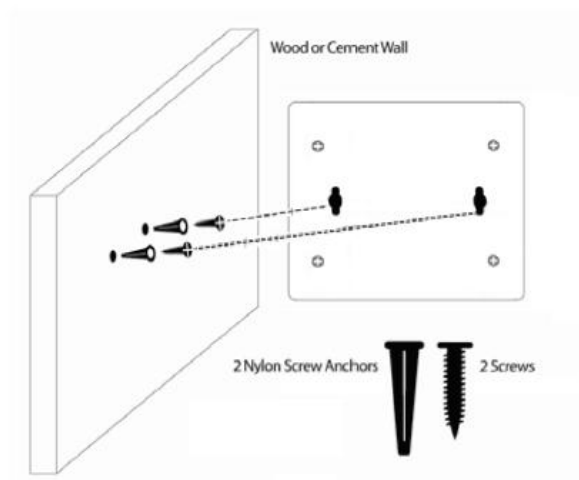


Figure – Wall mount installation

**Metal screw (STP3 type; Length 19.5 mm, Number of screws x 2) for DMS-1250-10SPL**

Note: The products shall be mounted into a wall by a skilled professional.

## 3. Switch Connections

Switch to an End Node  
Switch to Another Switch  
Switch to a Server

### Switch to an End Node

An end node is a generic name for edge networking devices that will be connected to this switch. Typical examples of end nodes are Personal Computers (PCs), Notebooks, Access Points, Print Servers, VoIP Phones and more. Each end node should be fitted with a RJ45 networking port. Normally, end nodes will connect to this switch by using a standard twisted-pair UTP/STP network cable. When a successful connection is established, the corresponding port light will illuminate and blink to indicate that network activity is taking place on that port.

The diagram below displays a typical end node connected to the Switch.

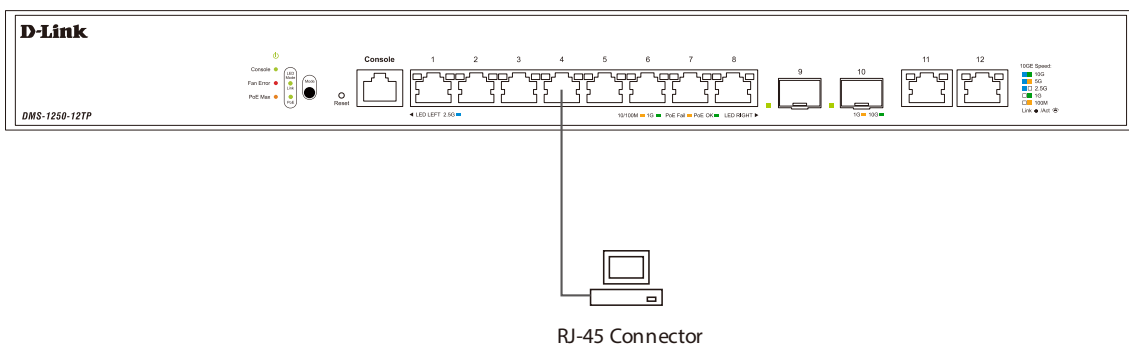


Figure 3-1 Connecting the Switch to an End Node

### Switch to Another Switch

The Switch can be used to connect to any other switch or hub in the network. This network topology is used when the Switch does not have enough ports to cater for all the end nodes in the network.

There is a great deal of flexibility on how connections are made using the appropriate cabling.

- Connect a 10BASE-T switch port to the Switch using a twisted-pair Category 3, 4, or 5 UTP/STP cable.
- Connect a 100BASE-TX switch port to the Switch via a twisted-pair Category 5 UTP/STP cable.
- Connect a 1000BASE-T switch port to the Switch via a twisted pair Category 5e UTP/STP cable.
- Connect a switch supporting an optical fiber uplink to the Switch's SFP/SFP+ ports via fiber optical cabling.
- Connect a 10GBASE-T switch port to the Switch via twisted pair Category 6a UTP/STP cable<sup>1</sup>.

<sup>1</sup>10GBASE-T ports may be limited to support 10/100Mbps half mode connection.

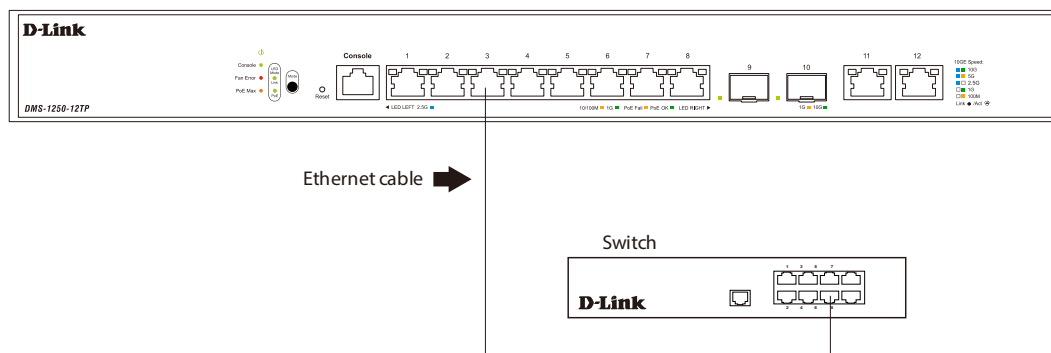


Figure 3-2 Connecting the Switch to another switch

## Switch to a Server

The Switch is ideal for connecting to a network backbone, server, or server farm. The RJ45 ports (Port 11-12) operate at a speed of 100Mbps/1G/2.5G/5G/10G. The SFP+ ports operate at a speed of 1/10 Gbps.

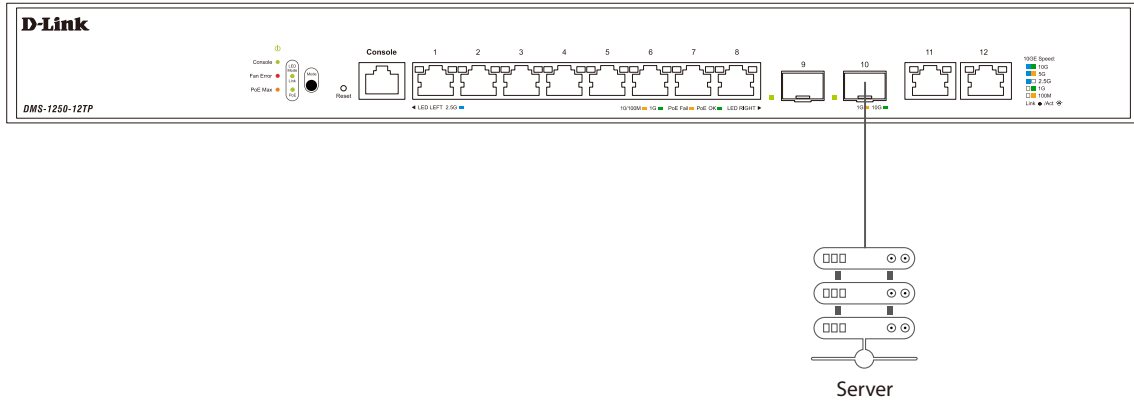


Figure 3-3 Connecting the Switch to a server

## 4. Switch Management

*Management Options*  
*Connecting to the Console Port*  
*Connecting using SNMP*

### Management Options

This switch provides multiple access platforms that can be used to configure, manage, and monitor networking features available on this switch. Currently there are three management platforms available, which are described below.

#### Command Line Interface (CLI)

This switch can be managed, out-of-band, by using the console port on the front panel of the Switch. Alternatively, the Switch can also be managed, in-band, by using a Telnet connection to any of the LAN ports on the Switch. The command line interface provides the access to some of switch management features.

For more information about the CLI, refer to the *DMS-1250 Series CLI Reference Guide*.

#### SNMP-based Management

The Switch can be managed with an SNMP-compatible console program. The Switch supports SNMP v1, SNMPv2c and SNMPv3. The SNMP agent decodes the incoming SNMP messages and responds to requests with MIB objects stored in the database. The SNMP agent updates the MIB objects to generate statistics and counters.

#### Web User Interface (Web UI)

The Web UI can be accessed from any computer running web browsing software from its LAN port when it is connected to any of the RJ45 or SFP/SFP+ ports. The Web UI on the Switch can also be accessed using an HTTPS (SSL) connection.

This management interface is a more graphical representation of the features that can be viewed and configured on this Switch. Most of the features available through the CLI can be accessed through the Web UI. Web browsers like Microsoft's Internet Explorer, Mozilla Firefox, Google Chrome, or Safari can be used.

For more information about the Web UI, refer to the *DMS-1250 Series Web UI Reference Guide*.

### Connecting to the Console Port

The front panel of the Switch provides an RJ45 console port to connect a remote system for monitoring and configuring the Switch.

To use the console port, the following equipment is needed:

- A terminal or a computer with both RJ45 ethernet port and terminal emulation software.
- A RJ45 Ethernet cable.

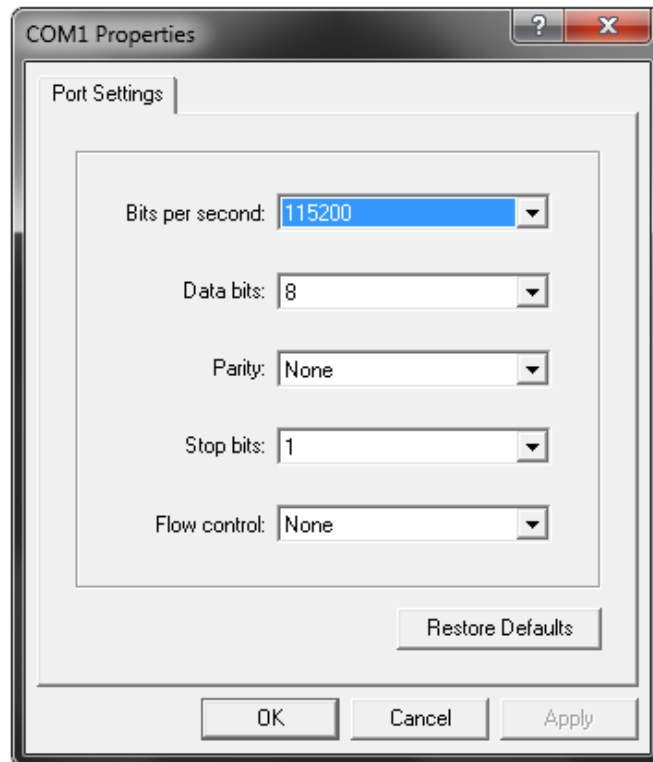
To connect the RJ45 console port on the Switch to the computer:

- Connect the Ethernet cable to the RJ45 port on the computer running terminal emulation software then insert the RJ45 connector into the RJ45 console port on the front of the Switch.

To configure the terminal emulation software as follows:

- Select the appropriate serial port (COM1 or COM2).
- Set the data rate to 115200 baud.
- Set the data format to 8 data bits, 1 stop bit, and no parity.

- Set flow control to none.



**Figure 4-1 COM Port Configuration**

To be able to view the boot procedure, the Switch needs to be rebooted. The simplest way, at this stage, to reboot the Switch is to unplug and re-insert the power cable from and into the power receptacle on the back of the Switch.

After correctly configuring the terminal settings and re-inserting the power cable, the boot procedure will appear in the terminal.

```

Boot Procedure                                     1.00.001
-----
WINBOND/
Power on self test..... 100 %

Loading Runtime Image..... 100 %
Uncompressing Kernel Image ..... 100 %

starting kernel ...

Device Discovery ..... 100 %
MAC Address : 00-12-99-00-77-98
H/W Version : A1
F/W Version : V1.00.002.T01

switch con0 is now available
  
```

After the boot sequence has been completed, the console login screen will be displayed.

## Connecting to the Switch for the First Time

The Switch supports user-based security that can prevent unauthorized users from accessing the Switch or changing its configuration. This section will explain how to log into the Switch's Command Line Interface via the out-of-band console connection.



Both the default **Username** and **Password** is *admin*. Enter the username and password when prompt to do so and press enter after each entry. The CLI prompt will immediately be available, as shown below.

```
DMS-1250-10SP Multi-Gigabit Ethernet PoE Smart Managed Switches
Command Line Interface
Firmware: Build V1.00.002.T01
Copyright(c) 2022 D-Link Corporation. All rights reserved.

User Access Verification

Username: admin
Password: *****
Switch# █
```



**NOTE:** For security reasons, it is highly recommended to configure a personal username and password for this Switch.

## Creating a User Account

One of the first and most important tasks will be to create user accounts. Logging in using a predefined administrator-level username will give the user privileged access to the Switch's management software. Also this will prevent unauthorized access to the Switch and record the passwords for future reference.

An example to create an administrator-level account for the Switch call 'NewUser':

```
Switch#configure terminal
Switch(config)#username NewUser password 12345
Switch(config)#
```

In the example above:

- Enter the **configure terminal** command to enter the **Global Configuration Mode**. Press ENTER.
- Enter the **username NewUser password 12345** command to create a user account with the username of *NewUser* and a password of *12345*. Press ENTER.



**NOTE:** Passwords are case sensitive. Usernames can be up to 32 characters in length. Passwords can be up to 32 plain-text characters in length.

## Configuring the IP Address

Each switch must be assigned its own in-band IP Address, which is used for communication with an SNMP network manager or other TCP/IP applications. The Switch's default IP address is 10.90.90.90 with a subnet mask of 255.0.0.0. You can change the IP address of the Switch to meet the specification of your networking address scheme.

The IP address of the Switch must be configured before it can be managed, by the user, via the Web UI.

An example to change the IP address of the Switch to '10.50.50.50', using a subnet mask of '255.0.0.0':

```
Switch#configure terminal
Switch(config)#interface vlan 1
Switch(config-if)#ip address 10.50.50.50 255.0.0.0
Switch(config-if)#
```

In the above example,

- Enter the **configure terminal** command to enter the **Global Configuration Mode**. Press ENTER.
- Enter the **interface vlan 1** command to enter the **VLAN Configuration Mode** of the default VLAN 1.
- Enter the **ip address 10.50.50.50 255.0.0.0** command to change the IP address of the Switch to *10.50.50.50* and the subnet mask to *255.0.0.0*.

The Switch can now be accessed and configured through Telnet or the Web UI. The Switch's IP address can also automatically be obtained by using the DHCP protocol.

## Connecting using SNMP

The Simple Network Management Protocol (SNMP) is an OSI Layer 7 (Application Layer) protocol designed specifically for managing and monitoring network devices. SNMP enables network management stations to read and modify the settings of gateways, routers, switches, and other network devices. Use SNMP to configure system features for proper operation, monitor performance, and detect potential problems in the Switch, switch group, or network.

Managed devices that support SNMP include software (referred to as an agent), which runs locally on the device. A defined set of variables (managed objects) is maintained by the SNMP agent and used to manage the device. These objects are defined in a Management Information Base (MIB), which provides a standard presentation of the information controlled by the on-board SNMP agent. SNMP defines both the format of the MIB specifications and the protocol used to access this information over the network.

The Switch supports SNMPv1, SMNPv2c, and SNMPv3. The administrator may specify which SNMP version to use to monitor and control the Switch. The three SNMP versions vary in the level of security provided between the management station and the network device.

In SNMPv1 and SNMPv2c, user authentication is accomplished using 'community strings', which function like passwords. The remote user SNMP application and the Switch SNMP must use the same community string. SNMP packets from any station that has not been authenticated are ignored (dropped).

The default community strings for the Switch used for SNMPv1 and SNMPv2c management access are:

- **public** - Allows authorized management stations to retrieve MIB objects.
- **private** - Allows authorized management stations to retrieve and modify MIB objects.

SNMPv3 uses a more sophisticated authentication process that is separated into two parts. The first part is to maintain a list of users and their attributes that are allowed to act as SNMP managers. The second part describes what each user on that list can do as an SNMP manager.

The Switch allows groups of users to be listed and configured with a shared set of privileges. The SNMP version may also be set for a listed group of SNMP managers. Thus, a group of SNMP managers can be created to view read-only information or receive traps using SNMPv1 while assigning a higher level of security to another group, granting read/write privileges using SNMPv3.

Using SNMPv3 individual users or groups of SNMP managers can be allowed to perform or be restricted from performing specific SNMP management functions. The functions that have been allowed or restricted are defined using the Object Identifier (OID) associated with a specific MIB. An additional layer of security is available for SNMPv3 in that SNMP messages may be encrypted.

## Traps

Traps are messages that are sent by an SNMP-enabled device to the NMS, and can be used to alert network personnel of events that occur on the Switch. The events can be as serious as a reboot (someone accidentally turned off the Switch), or less serious like a port status change. The Switch generates traps and sends them to a pre-configured IP address, usually an NMS. Typical traps include trap messages for Authentication Failure and Topology Change.

## **Management Information Base (MIB)**

A Management Information Base (MIB) stores management and counter information. The Switch uses the standard MIB-II Management Information Base module. Consequently, values for MIB objects can be retrieved from any SNMP-based network management software. In addition to the standard MIB-II, the Switch also supports its own proprietary enterprise MIB as an extended Management Information Base. The proprietary MIB may also be retrieved by specifying the MIB Object Identifier. MIB values can be either read-only or read-write.

## 5. Web-based Switch Configuration

### Introduction

#### Logging into the Web UI

#### Web User Interface (Web UI)

## Introduction

Most software functions of the Switch can be managed, configured, and monitored via the embedded HTML Web UI. Management can be done on the Switch from remote stations anywhere on the network through a standard web browser. The web browser acts as a universal access tool and can communicate directly with the Switch using the HTTP or HTTPS (SSL) protocol.

The following web browsers are supported:

- Internet Explorer (version 8,9,10,11)
- Firefox
- Google Chrome
- Safari
- Microsoft Edge



**NOTE:** The default IP address of this switch is **10.90.90.90**, with a subnet mask of **255.0.0.0**.



**NOTE:** The default username is admin and the default password is **admin**.

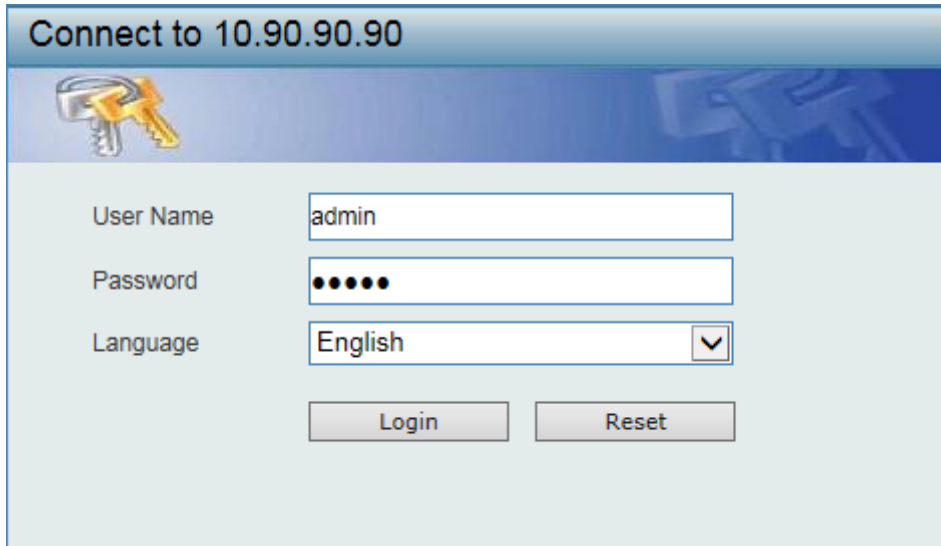
## Logging into the Web UI

To access the Web UI, open a standard web browser, enter the Switch's IP address into the address bar of the browser, and press the ENTER key.



5-1 IP address in Internet Explorer

After pressing the ENTER key, the following authentication window should appear, as shown below.



The image shows a web browser window titled "Connect to 10.90.90.90". The window has a blue header with a key icon on the left. Below the header, there are three input fields: "User Name" with the text "admin", "Password" with five black dots, and "Language" with a dropdown menu showing "English". At the bottom of the form, there are two buttons: "Login" and "Reset".

Figure 5-2 Web UI Login Window

Enter the **User Name** and **Password** in the corresponding fields and click Login. This will open the Web UI. Management features available in the Web UI of the Switch are explained below.

## Web User Interface (Web UI)

The Web UI provides access to various Switch configuration and management windows. It allows the user to view performance statistics, and permits graphical monitoring of the system's status.

### Areas of the Web UI

After logging into the Switch's Web UI, the following page will be displayed. The Web UI can be divided into four distinct areas that are described in more detail in the table below.



Figure 5-3 Main Web UI Window

Four main areas are displayed in the window.

Area Number	Function
AREA 1	This area displays a graphical, near real-time image of the front panel of the Switch. This area displays the Switch's ports and expansion modules. It also shows port activity based on a specific mode. Some management functions, including port monitoring, are accessible from here. Click the D-Link logo to go to the D-Link website.
AREA 2	This area displays a file explorer-type menu tree with all configurable options. Select the folder or window to display. Open folders and click the hyperlinked window buttons and subfolders contained within them to display information pertaining to that category.
AREA 3	This area displays a toolbar used to access <b>Save</b> and <b>Tools</b> menus.
AREA 4	This area displays graphical, real-time monitoring gauges of <b>Device Information</b> , <b>CPU Usage</b> , and <b>Memory Usage</b> .

## Web Pages

In Area 2, mentioned above, the following main folders will be available for selecting.

Folder Name	Description
<b>System</b>	Features regarding the Switch's configuration can be viewed and configured in this folder.
<b>Management</b>	Features regarding the Switch's management can be viewed and configured in this folder.
<b>L2 Features</b>	Features regarding the Layer 2 functionality of the Switch can be viewed and configured in this folder.
<b>L3 Features</b>	Features regarding the Layer 3 functionality of the Switch can be viewed and configured in this folder.
<b>QoS</b>	Features regarding the Quality of Service functionality of the Switch can be viewed and configured in this folder.
<b>ACL</b>	Features regarding the Access Control List functionality of the Switch can be viewed and configured in this folder.
<b>Security</b>	Features regarding the Switch's security can be viewed and configured in this folder.
<b>OAM</b>	Features regarding the Switch's Operations, Administration, and Maintenance (OAM) can be viewed and configured in this folder.
<b>Monitoring</b>	The Switch's configuration and statistics can be viewed and configured in this folder.
<b>Green</b>	Features regarding the D-Link Green Technology can be viewed and configured in this folder.

## Appendix A - Technical Specifications

General  
Physical and Environmental  
Performance  
LED Indicators  
Port Functions

### General

Feature	Description		
Data Transfer Rates		<b>Half-duplex</b>	<b>Full-duplex</b>
	<b>Ethernet</b>	10 Mbps	20 Mbps
	<b>Fast Ethernet</b>	100 Mbps	200 Mbps
	<b>Multi-G Ethernet</b>	-	5~10Gbps
	<b>10 Multi-G Ethernet</b>	-	20 Gbps
Network Cables	UTP/STP Category 3, 4, 5 for 10BASE-T UTP/STP Category.5, 5e for 100BASE-TX UTP/STP Category 5e for 1000/2.5G/5GBASE-T UTP/STP Category 6a for 10GBASE-T		

### Physical and Environmental

Feature	Description
Internal AC Power Supply	<b>DMS-1250-10S:</b> 100~240VAC, 50~60Hz, 0.35A <b>DMS-1250-10SP:</b> 100~240VAC, 50~60Hz, 3.48A <b>DMS-1250-12TP:</b> 100~240VAC, 50~60Hz, 3.51A <b>DMS-1250-10SPL:</b> 54V/2.78A external power adapter
Security Lock	Provides a Kensington-compatible security lock, on the rear panel of the Switch, to be able to connect to a secure immovable device. Insert the lock into the notch and turn the key to secure the lock. The lock-and-cable apparatus should be purchased separately
Fans	The IC Sensor detects the temperature on the switch automatically and adjusts the speed. <b>DMS-1250-10S:</b> Fanless <b>DMS-1250-10SP:</b> 2 fans <b>DMS-1250-12TP:</b> 2 fans <b>DMS-1250-10SPL:</b> Fanless
Power Consumption	<b>Maximum Power Consumption:</b> <b>DMS-1250-10S:</b> 13.522 Watts <b>DMS-1250-10SP:</b> 21.221 Watts (w/o PoE), 287.58 Watts (PoE on) <b>DMS-1250-12TP:</b> 28.33 Watts (w/o PoE), 289.74 Watts (PoE on) <b>DMS-1250-10SPL:</b> 10.274 Watts (w/o PoE), 147 W (PoE on)
	<b>Standby Power Consumption:</b> <b>DMS-1250-10S:</b> 5.443 Watts <b>DMS-1250-10SP:</b> 10.936 Watts <b>DMS-1250-12TP:</b> 14.020 Watts <b>DMS-1250-10SPL:</b> 10.274W Watts
Temperature	<b>Operating:</b> 0~50 °C for DMS-1250-10-10S/DMS-1250-10SP/DMS-1250-12TP 0~40 °C for DMS-1250-10SPL



Feature	Description
	<b>Storage:</b> -20 °C to 70 °C (-4 °F to 158 °F)
<b>Humidity</b>	<b>Operating:</b> 0 % to 95 % RH (non-condensing) <b>Storage:</b> 0 % to 95 % RH (non-condensing)
<b>Heat Dissipation</b>	<b>DMS-1250-10S:</b> 46.33 BTU/hr <b>DMS-1250-10SP:</b> 981.223 BTU/hr <b>DMS-1250-12TP:</b> 988.63 BTU/hr
<b>Dimensions</b>	<b>DMS-1250-12T:</b> 440x210x44mm <b>DMS-1250-10S/10SP:</b> 330x200x44mm
<b>Weight</b>	<b>DMS-1250-10S:</b> 1.877 kg (4.14 lbs) <b>DMS-1250-10SP:</b> 2.377 kg (5.24 lbs) <b>DMS-1250-12TP:</b> 3.24 kg (7.14 lbs) <b>DMS-1250-10SPL:</b> 1.34 kgs (2.95 lbs)
<b>EMC Certifications</b>	CE Class A, FCC Class A, ISED Class A, VCCI Class A, RCM Class A, BSMI Class A
<b>Safety Certifications</b>	IEC60950-1, IEC62368-1, UL/CSA62368-1, BSMI Class A

## Performance

Feature	Description
<b>Transmission Method</b>	Store-and-forward
<b>Packet Buffer</b>	12 Mbits per device
<b>Jumbo Frame Size</b>	12KB
<b>Switching Capacity</b>	<b>DMS-1250-10S:</b> 80Gbps <b>DMS-1250-1SP:</b> 80Gbps <b>DMS-1250-12TP:</b> 120Gbps <b>DMS-1250-10SPL:</b> 80Gbps
<b>Maximum Packet Forwarding Rate</b>	<b>DMS-1250-10S:</b> 59.53Mpps <b>DMS-1250-10SP:</b> 59.53Mpps <b>DMS-1250-12TP:</b> 89.29Mpps <b>DMS-1250-10SPL:</b> 59.53Mpps
<b>Priority Queues</b>	8 Priority Queues per port.
<b>MAC Address Table</b>	<b>DMS-1250-10S:</b> 16K <b>DMS-1250-10SP:</b> 16K <b>DMS-1250-12TP:</b> 16K <b>DMS-1250-10SPL:</b> 16K Supports 256 Static MAC addresses

# Safety/Sécurité

## *Safety Instructions*

### *Consignes de sécurité*

#### *General Precautions for Rack-Mountable Products*

#### *Protecting Against Electrostatic Discharge*

## Safety Instructions

Please pay careful attention to the following safety guidelines to ensure your own personal safety and to help protect your system from potential damage.

## Safety Cautions

To greatly reduce the risk of physical injury, electrical shock, fire, and damage to equipment, observe the following precautions.

Observe and follow service markings.

- Do not attempt to service any product, except when it is explained in the system's documentation.
- Opening or removing covers, marked with a high voltage sign, may expose the user to electrical shock.
- Only a trained service technician should service components inside these compartments.

If any of the following conditions occur, unplug the product from the electrical outlet and replace the part or contact your trained service provider:

- Damage to the power cable, extension cable, or plug.
- An object has fallen into the product.
- The product has been exposed to water.
- The product has been dropped or damaged.
- The product does not operate correctly when the operating instructions are correctly followed.

General safety cautions:

- Electrical Hazard: Only qualified personnel should perform installation procedures.
- Before servicing, disconnect all power cords to remove power from the device.
- Keep the system away from radiators and heat sources. Also, do not block cooling vents.
- Do not spill food or liquids on system components, and never operate the product in a wet environment. If the system gets wet, contact your trained service provider.
- Do not push any objects into the openings of the system. Doing so can cause fire or electric shock by shorting out interior components.
- Only use this product with approved equipment.
- Allow the product to cool before removing the cover or touching internal components.
- Operate the product only from the type of external power source indicated on the electrical ratings label. If unsure of the type of power source required, consult your service provider or local power company.
- Be sure that attached devices are electrically rated to operate with the power available in your location.
- Use only approved power cable(s). If you have not been provided with a power cable for your system or for any AC-powered option intended for your system, purchase a power cable that is approved for use in your country. The power cable must be rated for the product and for the voltage and current marked on the product's electrical ratings label. The voltage and current rating of the cable should be greater than the ratings marked on the product.
- To help prevent electric shock, plug the system and peripheral power cables into properly grounded electrical outlets. These cables are equipped with three-prong plugs to help ensure proper grounding. Do not use adapter plugs or remove the grounding prong from a cable. If using an extension cable is necessary, use a 3-wire cable with properly grounded plugs.

- Observe the extension cable and power strip ratings. Make sure that the total ampere rating of all products plugged into the extension cable or power strip does not exceed 80 percent of the ampere ratings limit for the extension cable or power strip.
- To help protect the system from sudden, transient increases and decreases in electrical power, use a surge suppressor, line conditioner, or uninterruptible power supply (UPS).
- Position system cables and power cables carefully. Route cables so that they cannot be stepped on or tripped over. Be sure that nothing rests on any cables.
- Do not modify power cables or plugs. Consult a licensed electrician or your power company for site modifications. Always follow your local or national wiring rules.

When connecting or disconnecting power to and from hot-pluggable power supplies, observe the following guidelines:

- Install the power supply before connecting the power cable to the power supply.
- Unplug the power cable before removing the power supply.
- If the system has multiple sources of power, disconnect power from the system by unplugging all power cables from the power supplies.
- Move products with care and ensure that all casters and stabilizers are firmly connected to the system. Avoid sudden stops and uneven surfaces.

To help avoid damage to the system, be sure that the voltage selection switch, on the power supply, is set to match the power available at the Switch's location:

- 115V/60Hz is used mostly in North and South America as well as Far Eastern countries like as South Korea and Taiwan
- 100V/50Hz is used mostly in Eastern Japan and 100V/60Hz in Western Japan
- 230V/50Hz is used mostly in Europe, the Middle East, Africa and the Far East

## Consignes de sécurité

Veillez prêter une attention particulière aux consignes de sécurité suivantes pour assurer votre sécurité personnelle et protéger votre système des dommages potentiels.

## Précautions de sécurité

Pour réduire considérablement les risques de blessure physique, de choc électrique, d'incendie et de détérioration du matériel, observez les précautions suivantes.

Observez et respectez les marquages relatifs à l'entretien et/ou aux réparations.

- N'essayez pas de réparer un produit, sauf si cela est expliqué dans la documentation du système.
- L'ouverture ou le retrait des capots, signalés par un symbole de haute tension, peut exposer l'utilisateur à un choc électrique.
- Seul un technicien de maintenance qualifié est habilité à réparer les composants à l'intérieur de ces compartiments.

Si l'un des cas suivants se produit, débranchez l'appareil du secteur et remplacez la pièce concernée ou contactez votre prestataire de services agréé.

- Endommagement du câble d'alimentation, du câble de rallonge ou de la fiche.
- Un objet est tombé dans le produit.
- Le produit a été exposé à l'eau.
- Le produit est tombé ou a été endommagé.
- Le produit ne fonctionne pas correctement lorsque les instructions d'utilisation sont correctement suivies.

Précautions générales de sécurité:

- Danger électrique: Seul le personnel qualifié doit effectuer les procédures d'installation.
- Avant de procéder à l'entretien, débranchez tous les cordons d'alimentation pour mettre le périphérique hors tension.

- Eloignez le système des radiateurs et des sources de chaleur. Par ailleurs, n'obtenez pas les fentes d'aération.
- Ne versez pas de liquide sur les composants du système et n'introduisez pas de nourriture à l'intérieur. Ne faites jamais fonctionner l'appareil dans un environnement humide. Si le système est mouillé, contactez votre prestataire de services qualifié.
- N'insérez aucun objet dans les fentes de l'appareil. Vous risqueriez de provoquer un incendie ou un choc électrique en court-circuitant les composants internes.
- Utilisez ce produit uniquement avec un équipement approuvé.
- Laissez l'appareil refroidir avant de déposer le capot ou de toucher les composants internes.
- Faites fonctionner le produit uniquement avec la source d'alimentation indiquée sur l'étiquette signalétique où figurent les caractéristiques électriques nominales. Si vous ne savez pas avec certitude quel type de source d'alimentation est requis, consultez votre prestataire de services ou votre compagnie d'électricité.
- Assurez-vous que les caractéristiques nominales des appareils branchés correspondant à la tension du réseau électrique.
- Utilisez uniquement des câbles d'alimentation homologués. Si un câble d'alimentation n'est pas fourni pour le système ou pour un composant/accessoire alimenté par CA destiné au système, procurez-vous un câble d'alimentation homologué pour une utilisation dans votre pays. Le câble d'alimentation doit être adapté à l'appareil et ses caractéristiques nominales doivent correspondre à celles figurant sur l'étiquette du produit. La tension et le courant nominaux du câble doivent être supérieurs aux valeurs nominales indiquées sur l'appareil.
- Pour éviter tout risque de choc électrique, branchez les câbles d'alimentation du système et des périphériques à des prises électriques correctement mises à la masse. Ces câbles sont équipés de fiches à trois broches pour garantir une mise à la masse appropriée. N'utilisez pas d'adaptateur de prise, et n'éliminez pas la broche de mise à la masse du câble. Si un câble de rallonge est nécessaire, utilisez un câble à 3 fils avec des fiches correctement mises à la terre.
- Respectez les caractéristiques nominales de la rallonge ou du bloc multiprise. Assurez-vous que l'intensité nominale totale de tous les produits branchés à la rallonge ou au bloc multiprise ne dépasse pas 80 % de l'intensité nominale limite de la rallonge ou du bloc multiprise.
- Pour protéger le système contre les pics et les chutes de tension transitoires et soudains, utilisez un parasurtenseur, un filtre de secteur ou une alimentation sans interruption (ASI).
- Positionnez les câbles système et les câbles d'alimentation avec soin. Acheminez les câbles de manière à ce qu'ils ne puissent pas être piétinés ou trébuchés. Veillez à ce que rien ne repose sur les câbles.
- Ne modifiez pas les câbles ou les fiches d'alimentation. Contactez un électricien qualifié ou la compagnie d'électricité si des modifications sur site sont nécessaires. Respectez toujours la réglementation locale ou nationale en matière de câblage.

Lors de la connexion ou de la déconnexion de l'alimentation vers et depuis des blocs d'alimentation enfichables à chaud, respectez les consignes suivantes:

- Installez l'alimentation avant d'y brancher le câble d'alimentation.
- Débranchez le câble d'alimentation avant de couper l'alimentation.
- Si le système possède plusieurs sources d'alimentation, mettez-le hors tension en débranchant tous les câbles d'alimentation des prises.
- Déplacez les appareils avec précaution et assurez-vous que les roulettes et/ou que les pieds stabilisateurs sont bien fixés au système. Évitez les arrêts brusques et les surfaces inégales.

Pour éviter d'endommager le système, assurez-vous que le commutateur de sélection de tension de l'alimentation est réglé sur l'alimentation disponible à l'emplacement du commutateur:

- 115 V/60 Hz est principalement utilisé en Amérique du Nord et du Sud, ainsi que dans des pays d'Extrême-Orient tels que la Corée du Sud et Taïwan.
- 100 V/50 Hz est utilisé principalement dans l'est du Japon et 100 V/ 60 Hz dans l'ouest du Japon.
- 230 V/50 Hz est principalement utilisé en Europe, au Moyen-Orient, en Afrique et en Extrême-Orient.

## General Precautions for Rack-Mountable Products

Please pay careful attention to the following precautions concerning rack stability and safety. Systems are considered to be components in a rack. Thus, a component refers to any system, as well as to various peripherals or supporting hardware:



**CAUTION:** Installing systems in a rack without the front and side stabilizers installed could cause the rack to tip over, potentially resulting in bodily injury under certain circumstances. Therefore, always install the stabilizers before installing components in the rack. After installing system/components in a rack, never pull more than one component out of the rack on its slide assemblies at one time. The weight of more than one extended component could cause the rack to tip over and may result in serious injury.



**ATTENTION :** Le montage de systèmes sur un rack dépourvu de pieds stabilisateurs avant et latéraux peut faire basculer le rack, pouvant causer des dommages corporels dans certains cas. Par conséquent, installez toujours les pieds stabilisateurs avant de monter des composants sur le rack. Après l'installation d'un système ou de composants dans un rack, ne sortez jamais plus d'un composant à la fois hors du rack sur ses glissières. Le poids de plusieurs composants sur les glissières en extension peut faire basculer le rack, pouvant causer de graves dommages corporels.

- Before working on the rack, make sure that the stabilizers are secured to the rack, extended to the floor, and that the full weight of the rack rests on the floor. Install front and side stabilizers on a single rack or front stabilizers for joined multiple racks before working on the rack.
- Always load the rack from the bottom up, and load the heaviest item in the rack first.
- Make sure that the rack is level and stable before extending a component from the rack.
- Use caution when pressing the component rail release latches and sliding a component into or out of a rack; the slide rails can pinch your fingers.
- After a component is inserted into the rack, carefully extend the rail into a locking position, and then slide the component into the rack.
- Do not overload the AC supply branch circuit that provides power to the rack. The total rack load should not exceed 80 percent of the branch circuit rating.
- Ensure that proper airflow is provided to components in the rack.
- Do not step on or stand on any component when servicing other components in a rack.



**CAUTION:** Never defeat the ground conductor or operate the equipment in the absence of a suitably installed ground conductor. Contact the appropriate electrical inspection authority or an electrician if uncertain that suitable grounding is available.



**ATTENTION :** Ne neutralisez jamais le conducteur de masse et ne faites jamais fonctionner le matériel en l'absence de conducteur de masse dûment installé. Contactez l'organisme de contrôle en électricité approprié ou un électricien qualifié si vous n'êtes pas sûr qu'un système de mise à la masse adéquat soit disponible.



**CAUTION:** The system chassis must be positively grounded to the rack cabinet frame. Do not attempt to connect power to the system until grounding cables are connected. Completed power and safety ground wiring must be inspected by a qualified electrical inspector. An energy hazard will exist if the safety ground cable is omitted or disconnected.



**ATTENTION :** La carcasse du système doit être positivement reliée à la masse du cadre du rack. N'essayez pas de mettre le système sous tension si les câbles de mise à la masse ne sont pas raccordés. Le câblage de l'alimentation et de la mise à la masse de sécurité doit être inspecté par un inspecteur qualifié en électricité. Un risque électrique existe si le câble de mise à la masse de sécurité est omis ou débranché.

## **Protecting Against Electrostatic Discharge**

Static electricity can harm delicate components inside the system. To prevent static damage, discharge static electricity from your body before touching any of the electronic components, such as the microprocessor. This can be done by periodically touching an unpainted metal surface on the chassis.

The following steps can also be taken prevent damage from electrostatic discharge (ESD):

- When unpacking a static-sensitive component from its shipping carton, do not remove the component from the antistatic packing material until ready to install the component in the system. Just before unwrapping the antistatic packaging, be sure to discharge static electricity from your body.
- When transporting a sensitive component, first place it in an antistatic container or packaging.
- Handle all sensitive components in a static-safe area. If possible, use antistatic floor pads, workbench pads and an antistatic grounding strap.

## Additional Info

### Documentation/Support/Warranty



**Online Documentation** / Documentazione online / Online Dokumentation / Documentación en línea / Documentazione online/ Документация онлайн / Documentação online / 線上文件 / Dokumentasi online / オンラインドキュメント / 在线文档  
[www.dlink.com/resources/business](http://www.dlink.com/resources/business)



**Online Support** / Documentazione online / Online Dokumentation / Documentación en línea / Documentazione online/ Служба поддержки онлайн / Suporte técnico online / 線上支援/ Dukungan online / オンラインサポート / 在线支持  
<https://www.dlink.com/en/support>



**Warranty Information** / Documentazione online / Online Dokumentation / Documentación en línea / Documentazione online/ Информация о гарантии / Informação de Garantia / 保固資訊/ Informasi garansi / 保証情報 / 質保信息  
<http://warranty.dlink.com>

